



5 **IHE Quality, Research and Public Health
Technical Framework Supplement**

10 **Vital Records Death Reporting
(VRDR)**

15 **Rev. 3.1 – Trial Implementation**

20 Date: August 18, 2017
Author: QRPH Technical Committee
Email: qrph@ihe.net

25 **Please verify you have the most recent version of this document. See [here](#) for Trial Implementation and Final Text versions and [here](#) for Public Comment versions.**

Foreword

30 This is a supplement to the IHE Quality, Research and Public Health (QRPH) Technical Framework. Each supplement undergoes a process of public comment and trial implementation before being incorporated into the volumes of the Technical Frameworks.

This supplement is published on August 18, 2017 for trial implementation and may be available for testing at subsequent IHE Connectathons. The supplement may be amended based on the results of testing. Following successful testing it will be incorporated into the QRPH Technical Framework. Comments are invited and may be submitted at
35 http://www.ihe.net/QRPH_Public_Comments.

“Boxed” instructions like the sample below indicate to the Volume Editor how to integrate the relevant section(s) into the relevant Technical Framework volume.

<i>Amend Section X.X by the following:</i>
--

40 Where the amendment adds text, make the added text **bold underline**. Where the amendment removes text, make the removed text **~~bold strikethrough~~**. When entire new sections are added, introduce with editor’s instructions to “add new text” or similar, which for readability are not bolded or underlined.

45 General information about IHE can be found at www.ihe.net.

Information about the IHE QRPH domain can be found at http://www.ihe.net/IHE_Domains.

Information about the organization of IHE Technical Frameworks and Supplements and the process used to create them can be found at http://www.ihe.net/IHE_Process and <http://www.ihe.net/Profiles>.

50 The current version of the IHE QRPH Technical Framework can be found at http://www.ihe.net/Technical_Frameworks.

CONTENTS

55	Introduction to this Supplement.....	8
	Open Issues and Questions	9
	Closed Issues.....	19
	General Introduction	24
	Appendix A – Actor Summary Definitions	24
60	Appendix B – Transaction Summary Definitions.....	24
	Glossary	24
	Volume 1 – Profiles	26
	Copyright Licenses.....	26
	X Vital Records Death Reporting (VRDR) Profile	27
65	X.1 VRDR Actors, Transactions, and Content Modules	27
	X.1.1 Actor Descriptions and Actor Profile Requirements.....	30
	X.1.1.1 Form Filler.....	30
	X.1.1.2 Form Manager	30
	X.1.1.3 Form Receiver	31
70	X.1.1.4 Form Receiver CDA Exporter.....	31
	X.1.1.5 Form Processor CDA Exporter.....	31
	X.1.1.6 Form Receiver Message Exporter	31
	X.1.1.7 Form Processor Message Exporter	31
	X.1.1.8 Form Processor	32
75	X.1.1.9 Form Archiver	32
	X.1.1.10 Information Source	32
	X.1.1.11 Information Recipient.....	32
	X.1.1.12 Content Creator.....	33
	X.1.1.13 Content Consumer	33
80	X.1.1.14 Data Consumer	33
	X.1.1.15 Data Responder.....	33
	X.2 VRDR Actor Options.....	33
	X.2.1 Summary Document Pre-Pop Option.....	34
	X.2.2 VRDR Pre-Pop Option.....	35
85	X.2.3 Archive Form Option	35
	X.2.4 Provider Supplied Death Information Option	35
	X.2.5 Jurisdiction Death Information Option.....	35
	X.2.6 Void Certificate Reporting Option	35
	X.2.7 Coded Cause of Death Option.....	35
90	X.2.8 Coded Race / Ethnicity Option.....	36
	X.3 VRDR Required Actor Groupings	36
	X.4 VRDR Overview	36
	X.4.1 Concepts	36
	X.4.2 Use Cases	37

95	X.4.2.1 Use Case #1: Forms Data Capture with Messaging	37
	X.4.2.1.1 Forms Data Capture with Messaging Use Case Description	37
	X.4.2.1.2 Forms Data Capture with Messaging Process Flow	37
	X.4.2.2 Use Case #2: Forms Data Capture with Document Submission	38
	X.4.2.2.1 Forms Data Capture with Document Submission Use Case Description..	38
100	X.4.2.2.2 Forms Data Capture with Document Submission Process Flow	39
	X.4.2.3 Use Case #3: Native Forms Data Capture	40
	X.4.2.3.1 Native Forms Data Capture Use Case Description.....	40
	X.4.2.3.2 Native Forms Data Capture Process Flow	40
	X.4.2.4 Use Case #4: EHR VRDR Messaging.....	41
105	X.4.2.4.1 VRDR Messaging Use Case Description	41
	X.4.2.4.2 VRDR Messaging Process Flow.....	42
	X.4.2.5 Use Case #5: Provider VRDR Document Submission.....	43
	X.4.2.5.1 Provider VRDR Document Submission Use Case Description.....	43
	X.4.2.5.2 Provider VRDR Document Submission Process Flow.....	43
110	X.4.2.6 Use Case #6: Death Certificate COD Guidance	43
	X.4.2.6.1 Death Certificate COD Guidance Use Case Description.....	44
	X.4.2.6.2 Death Certificate COD Guidance Process Flow.....	44
	X.5 VRDR Security Considerations	45
	X.6 VRDR Cross Profile Considerations.....	46
115	X.6.1 XD* – Cross Enterprise Document Sharing.b, Cross Enterprise Document Media Interchange, or Cross Enterprise Document Reliable Interchange.....	46
	X.6.2 Sharing Value Set (SVS).....	47
	X.7 VRDR Data Elements	47
	Appendix A – Sample US Death Certificate form.....	48
120	Appendix B – Vital Records Death Reporting (VRDR) Data Elements	52
	Volume 2 – Transactions	57
	3.38 VRDRFeed [QRPH-38]	57
	3.38.1 Scope	57
	3.38.2 Actor Roles.....	57
125	3.38.3 Referenced Standards.....	58
	3.38.4 Interaction Diagram.....	59
	3.38.4.1 VRDRFeed message.....	60
	3.38.4.1.1 Trigger Events	60
	3.38.4.1.2 Message Semantics	60
130	3.38.4.1.2.1 MSH Segment.....	63
	3.38.4.1.2.2 SFT Segment.....	63
	3.38.4.1.2.3 UAC Segment	63
	3.38.4.1.2.4 EVN Segment	63
	3.38.4.1.2.5 PID Segment	63
135	3.38.4.1.2.6 PD1 Segment	71
	3.38.4.1.2.7 NK1 Segment.....	71

	3.38.4.1.2.8 PV1 Segment	71
	3.38.4.1.2.9 PV2 Segment	71
140	3.38.4.1.2.10 DB1 Segment.....	71
	3.38.4.1.2.11 OBX Segment.....	71
	3.38.4.1.2.12 AL1 Segment	72
	3.38.4.1.2.13 DG1 Segment.....	72
	3.38.4.1.2.14 DRG Segment.....	72
	3.38.4.1.2.15 PR1 Segment.....	72
145	3.38.4.1.2.16 GT1 Segment	72
	3.38.4.1.2.17 IN1 Segment	73
	3.38.4.1.2.18 IN2 Segment	73
	3.38.4.1.2.19 IN3 Segment	73
	3.38.4.1.2.20 ACC Segment	73
150	3.38.4.1.2.21 UB1 Segment.....	73
	3.38.4.1.2.22 UB2 Segment.....	73
	3.38.4.1.2.23 PDA Segment.....	73
	3.38.4.1.2.24 ROL Segment.....	74
	3.38.4.1.3 Expected Actions	74
155	3.38.4.1.3.1 Provider Supplied Death Information Option.....	74
	3.38.4.1.3.2 Jurisdiction Death Information Option	74
	3.38.4.1.3.3 Void Certificate Reporting Option.....	74
	3.38.4.1.3.4 Coded Cause of Death Option	74
	3.38.4.1.3.5 Coded Race / Ethnicity Option	74
160	3.38.4.1.4 ACK.....	74
	3.38.5 Security Considerations.....	75
	3.38.5.1 Security Audit Considerations – VRDRFeed [QRPH-38] (ADT)	75
	3.38.5.1.1 Information Source Actor audit message:	75
	3.38.5.1.2 Information Recipient Actor audit message:	77
165	3.38.5.1.3 Form Receiver CDA Exporter Actor audit message:	78
	3.38.5.1.4 Form Processor CDA Exporter Actor audit message:	80
	3.47 VRDRQuery [QRPH-47].....	81
	3.47.1 Scope	81
	3.47.2 Actor Roles.....	81
170	3.47.3 Referenced Standards	82
	3.47.4 Interaction Diagram.....	82
	3.47.4.1 VRDRQuery message	82
	3.47.4.1.1 Trigger Events	82
	3.47.4.1.2 Message Semantics.....	82
175	3.47.4.1.3 Expected Actions	83
	3.47.5 Security Considerations.....	83
	3.47.5.1 Security Audit Considerations – VRDRQuery [QRPH-47] (ADT)	83
	3.47.5.1.1 Data Responder Actor audit message:	83

	6.3.1.D2.5.1 Encompassing Encounter Section Condition.....	125
	6.3.1.D2.5.2 Active Problems Section Condition.....	125
	6.3.1.D2.5.2.1 Problems Concern Entry Condition	125
225	6.3.1.D2.5.3 Procedures and Interventions Section Condition.....	126
	6.3.1.D2.5.3.1 Procures and Interventions Entry Condition	126
	6.3.1.D2.5.4 Coded Results Section Condition	127
	6.3.1.D2.5.4.1 Coded Results Entry Condition.....	127
	6.3.1.D2.6 Medical Summary for VRDR (MS-VRDR) Conformance and Example	127
230	6.3.3 CDA Section Content Modules.....	127
	6.3.4 CDA Entry Content Modules.....	127
	6.3.4.58 Death Pronouncement Entry Content Module (1.3.6.1.4.1.19376.1.7.3.1.4.23.1)	128
235	6.3.4.59 Death Location Type Entry Content Module (1.3.6.1.4.1.19376.1.7.3.1.4.23.2)	128
	6.4 Section not applicable	128
	6.5 QRPH Value Sets.....	128
	6.5.1 Vital Records and Death Reporting (VRDR) Value Sets	128
	6.6 QRPH Data Mapping to FHIR Resources	129
240	Appendices.....	135
	Volume 4 – National Extensions	136
	4 National Extensions	137
	4.1 National Extensions for IHE United States.....	137
	4.1.1 Comment Submission	137
245	4.1.2 Vital Records Death Reporting (VRDR).....	137
	4.1.2.1 VRDR US Volume 1 Constraints.....	137
	4.1.2.1.1 VRDR Actors and Options US Constraints.....	137
	4.1.2.1.2 Data Elements Constraints.....	138
	4.1.2.2 VRDR US Volume 2 Constraints.....	139
250	4.1.2.3 VRDR US Volume 3 Constraints.....	143
	4.1.2.3.1 VRDR Pre-Population Specification for U.S. Standard Certificate of Death	143
	4.1.2.3.1.1 VRDR Data Element Index	143
255	4.1.2.3.1.2 VRDR Form Manager Pre-population Data Element Mapping Specification	143
	4.1.2.3.2 VRDR CDA Specification for U.S. Standard Certificate of Death.....	149

Introduction to this Supplement

260 Vital statistics data are the basis for national and state information relevant for promoting public
health and for aiding decision makers in setting policies, directing resources, managing
problems, and identifying emerging health trends. Vital Records Death Reporting is part of the
process of creating the legal record of a person’s death. The provider caring for the patient at the
time of death is responsible for reporting medical details on death. Some of the information that
265 is to be reported in the death record exists within the EHR. This profile defines multiple
approaches to capturing death reporting information from provider systems, including
messaging, document exchange, and an RFD-based approach that specifies derivation of source
content from a medical summary document along with requirements for form filler content and
form manager handling of content. The profile additionally defines the transactions and
documents that may be exchanged between jurisdictions and national statistics agencies.

270 This supplement references the following documents¹. The reader should review these
documents as needed:

1. PCC Technical Framework, Volume 1
2. PCC Technical Framework, Volume 2
3. PCC Technical Framework Supplement: CDA^{®2} Content Modules
- 275 4. IT Infrastructure Technical Framework Volume 1
5. IT Infrastructure Technical Framework Volume 2
6. IT Infrastructure Technical Framework Volume 3
7. Health Level Seven International (HL7^{®3}) Version 2.6 Implementation Guide: Reporting
Death Information from the EHR to Vital Records, R1.2 which on the following HL7
280 work:
8. [HL7 IG for Clinical Document Architecture \(CDA\) Release 2: Reporting Death Info
from the EHR to Vital Records, Release 1 \(STU\) US Realm](#)
9. [Edit Specifications for the 2003 Revision of the U.S. Standard Certificate of Death](#)
10. [U.S. Standard Certificate of Death](#)
- 285 11. [International Classification of Diseases, Tenth Revision \(ICD-10\)](#)
12. [History of the Statistical Classification of Diseases and Causes of Death](#)
13. [The 2014 WHO verbal autopsy instrument](#)

¹ The first seven documents can be located on the IHE Website at http://ihe.net/Technical_Frameworks. The remaining documents can be obtained from their respective publishers.

² CDA is the registered trademark of Health Level Seven International.

³ HL7 is the registered trademark of Health Level Seven International.

- 290 14. [WHO Nomenclature Regulations](#)
15. [International statistical classification of diseases and related health problems 10th Revision, Volume 2 Instruction Manual](#)
- a. Section 4.1.2 The international death certificate
- b. Section 7.1 form 7.1.1 International form of medical certificate of cause of death
- 295 16. HL7 Informative documents not directly referenced in this supplement are also available as additional reference material for implementers: [HL7 EHR-System Public Health Functional Profile \(PHFP\) Release 2](#)
17. [HL7 Version 3 Domain Analysis Model: Vital Records \(VR DAM\)](#)

Open Issues and Questions

- 300 1. Is the attribute for NAMECOD (Name of person completing cause of death) the same as CERTIFBY (name of person certifying death)? The HL7 (V2.6) has only one of these concepts, but the CDA document has these as separate concepts with distinct mapping.
2. Given that this specification is using a different version of HL7 (V2.6) than PIX/PDQ, does it still make sense to align in the PID segment with PIX/PDQ demographic attributes or other IHE HL7 Messaging Guidance?
- 305 3. MS-VRDR includes coded results. Further review of associated XPATH statements needed.
4. FORMSRC (Form Source Flag) – this is in the message but not the document – need a comment on HL7STU to further assess whether this attribute has value in this specification.
5. The sequence of the cause of death is no longer supported in the HL7 CDA.
- 310 6. Cause of Death Document, Void Certificate document, and Coded Race and Ethnicity document have not been included in this profile. There are no constraints anticipated to these documents.
7. There may be future consideration for an additional push transaction (HTTPS Post) of a FHIR resource bundle from provider to jurisdiction, but this specification currently includes only HL7 message and HL7 CDA document approaches.
- 315 8. Edit flags for jurisdiction, pregnancy, and coded cause of death may need to be added to all aspects of the profile.
9. Title of certifier is now in Suffix. A comment to the v2.6 should be made against the STU as it indicates ‘prefix’.
10. Gaps in FHIR mapping exist:
- 320 a. Birth certificate {birth} year
- b. Source flag (FORMSRC)

11. The WHO ICD-10 Volume 2 Instruction Manual (Section 7.1) includes a form that contains a subset of the WHO Verbal Autopsy Instrument. This profile includes considerations for the more extensive content of the WHO Verbal Autopsy Instrument.
- 325 12. Value sets for WHO vs IG required value sets is not specified.
- a. Not supported concept code for race and ethnicity need to be added to the HL7 VRDR defined value set for those jurisdictions that do not support collection of the(se) attribute(s).
 - 330 b. Where did the deceased die? (Place of Death) – for WHO the value set is slightly different:
 - i. Hospital
 - ii. Other health facility
 - iii. Home
 - iv. On route to facility or hospital
 - 335 v. Other
 - vi. DK
 - vii. Ref.
 - c. What was her/his marital status? (Marital Status) which is under review for harmonization:
 - 340 i. Single
 - ii. Married
 - iii. Life partner
 - iv. Divorced
 - v. Widowed
 - 345 vi. Too young to be married
 - vii. DK
 - viii. Ref.
 - d. What was her/his highest level of schooling? (Decedent's Education):
 - i. No formal education
 - 350 ii. Primary school
 - iii. Secondary school
 - iv. Higher than secondary school
 - v. DK

- vi. Ref.
- 355 e. What was her/his economic activity status in year prior to death? (Employment Status)
 - i. Mainly unemployed
 - ii. Mainly employed
 - iii. Home-maker
 - 360 iv. Pensioner
 - v. Student
 - vi. Other
 - vii. DK
 - viii. Ref
- 365 f. The following risk factors have not yet been included, but should be added for WHO form support:
 - i. Did (s)he drink alcohol?
 - 1. LOINC code available: 11331-6 History of alcohol use
 - ii. What kind of tobacco did (s)he use?
 - 370 1. LOINC code available 64004-5 Type of tobacco usage
 - a. Cigarettes
 - b. Pipe
 - c. Chewing tobacco
 - d. Local form of tobacco
 - 375 e. Other
 - iii. How many cigarettes did (s)he smoke daily?
 - 1. LOINC code available 8663-7 Cigarettes smoked current (pack per day) - Reported
 - 380 g. Diagnosis/Problem value sets have not been specifically generated for the following, though general support for mapping from problems is identified:
 - i. Was there any diagnosis by a physician or health worker of tuberculosis?
 - ii. Was there any diagnosis by a physician or health worker of HIV/AIDS
 - iii. Was there any diagnosis by a physician or health worker of dengue fever?
 - iv. Was there any diagnosis by a physician or health worker of measles?

- 385 v. Was there any diagnosis by a physician or health worker of high blood pressure?
- vi. Was there any diagnosis by a physician or health worker of heart disease?
- vii. Was there any diagnosis by a physician or health worker of diabetes?
- viii. Was there any diagnosis by a physician or health worker of asthma?
- 390 ix. Was there any diagnosis by a physician or health worker of epilepsy?
- x. Was there any diagnosis by a physician or health worker of cancer?
- xi. Was there any diagnosis by a physician or health worker of Chronic Obstructive Pulmonary Disease (COPD)?
- xii. Was there any diagnosis by a physician or health worker of dementia?
- 395 xiii. Was there any diagnosis by a physician or health worker of depression?
- xiv. Was there any diagnosis by a physician or health worker of stroke?
- xv. Was there any diagnosis by a physician or health worker of sickle cell disease?
- xvi. Was there any diagnosis by a physician or health worker of kidney disease?
- 400 xvii. Was there any diagnosis by a physician or health worker of liver disease?
- h. General Signs and Symptoms Associated with the Final Illness value sets have not been specifically generated for the following, though general support for mapping from problems is identified
- i. Did (s)he have a fever? (including severity and duration)
- 405 ii. Did (s)he have night sweats?
- iii. Did (s)he have a cough? (including severity, duration, productivity)
- iv. Did (s)he cough up blood?
- v. Did (s)he have any breathing problem?
- 410 vi. During the illness that led to death, did (s)he have fast breathing? (including duration)
- vii. Did (s)he have breathlessness?
- viii. Was (s)he unable to carry out daily routines due to breathlessness?
- ix. Was (s)he breathlessness while lying flat?
- 415 x. During the illness that led to death, did (s)he have difficulty breathing? (including On/Off)

- xi. During the illness that led to death, did his/her breathing sound like any of the following: stridor, grunting, wheezing
- xii. Was (s)he have severe chest pain? (including duration of pain in minutes and days lasted)
- 420 xiii. Did (s)he have diarrhea?
- xiv. At any time during the final illness, was there blood in the stools? (including whether until death)
- xv. Did (s)he vomit? (including days before death, blood in vomit, and black vomit)
- 425 xvi. Did (s)he have any abdominal problem?
- xvii. Did (s)he have severe abdominal pain? (including days before death)
- xviii. Was the pain in the upper or lower abdomen?
- xix. Did (s)he have a more than usually protruding abdomen? (including how rapid it developed)
- 430 xx. For how many days before death did (s)he have a mass in the abdomen?
- xxi. For how many days before death did (s)he have severe abdominal pain?
- xxii. Did (s)he have a severe headache?
- xxiii. Did (s)he have a stiff neck during illness that led to death? (including days before death)
- 435 xxiv. Did (s)he have a painful neck during illness that led to death? (including days before death)
- xxv. Did (s)he have a mental confusion? (including months before death)
- xxvi. Was (s)he unconscious for more than 24 hours before death? (including sudden onset, and continuation thru death)
- 440 xxvii. Did (s)he have a convulsions? (including duration, and leading to death)
- xxviii. Did (s)he become unconscious immediately after the convulsion?
- xxix. Did (s)he have urine problems? (including absence of urine, increased frequency, and blood in urine)
- xxx. Did (s)he have any skin problems?
- 445 xxxi. Did (s)he have sores? (including whether pus filled)
- xxxii. Did (s)he have any ulcers, abscess, or sores anywhere except on the feet?
- xxxiii. Did (s)he have an ulcer (pit) on the foot? (including pus ooze)

- 450 xxxiv. Did (s)he have any ulcers, abscess, or sores that were not also on other parts of the body?
- xxxv. During the illness that led to death, did (s)he have any skin rash? (including duration, location, and characteristic of measles)
- xxxvi. Did (s)he ever have shingles or herpes zoster?
- xxxvii. During the illness that led to death, did (s)he bleed from anywhere? (including location)
- 455 xxxviii. Was (s)he severely thin or wasted?
- xxxix. During the illness that led to death, did (s)he have a whitish rash inside the mouth or tongue?
- xl. Did (s)he have stiffness of the whole body or was unable to open the mouth?
- xli. Did (s)he have puffiness of the face? (including duration)
- 460 xlii. During the illness that led to death, did (s)he have swelling in the armpits?
- xliii. During the illness that led to death, did (s)he have swollen legs or feet? (including duration, bilateral/unilateral)
- xliv. Did (s)he have puffiness of the all over his/her body?
- xlv. Did (s)he have any lumps? (including location)
- 465 xlvi. Did (s)he have any ulcers (pits) in the breast?
- xlvii. Was (s)he in any way paralyzed? (including location)
- xlviii. Did (s)he have difficulty swallowing? (including duration, liquid/solid/both)
- xlix. Did (s)he have yellow discoloration of the eyes? (including duration)
1. Did her/his hair change in color to reddish or yellowish color?
- 470 li. Did (s)he look pale (thinning/lack of blood) or have pale palms, eyes, or nail beds?
- lii. Did (s)he have sunken eyes?
- liii. Did (s)he drink a lot more water than usual?
- 475 i. Test Result value sets have not been specifically generated for the following, though general support for mapping from test results is identified:
- i. Did (s)he have a recent positive test by a physician or health worker for malaria?
- ii. Did (s)he have a recent negative test by a physician or health worker for malaria?

- 480 j. Accident value sets have not been specifically generated, though general support for
mapping from test results is identified:
- i. Did (s)he suffer from any injury or accident that led to her/his death?
 - ii. Was the injury intentionally inflicted by someone else?
 - iii. Was (s)he injured by a firearm?
 - 485 iv. Was (s)he stabbed, cut or pierced?
 - v. Was (s)he strangled?
 - vi. Was (s)he injured by a blunt force?
 - vii. Was (s)he injured by burns?
 - viii. Do you think (s)he committed suicide?
 - 490 ix. Was it a road traffic accident?
 - x. What was her/his role in the road traffic accident?
 - xi. What was the counterpart that was hit during the road traffic accident?
 - xii. Was (s)he injured in a fall?
 - xiii. Did (s)he die of drowning?
 - 495 xiv. Was (s)he suffering from burns?
 - xv. Was (s)he injured by a blunt force?
 - xvi. Was (s)he injured by a plant/ animal/insect that led to her/his death?
 - xvii. What was the plant/animal/insect?
 - xviii. Was (s)he injured by a force of nature?
 - 500 xix. Was there any poisoning?
 - xx. Was (s)he subject to violence/assault?
 - xxi. Was it electrocution?
- 505 k. Problem and Procedure value sets related to a pregnancy, labor, and delivery have not
been specifically generated for the following, though general support for mapping
from problems and procedures is identified:
- i. Did she ever have a period or menstruate?
 - ii. Did she have excessive vaginal bleeding in between menstrual periods?
 - iii. Did her menstrual period stop naturally because of menopause?
 - iv. Did she have vaginal bleeding after cessation of menstruation?
 - 510 v. Was there excessive vaginal bleeding in the week prior to death?

- vi. At the time of death, was her period overdue?
- vii. For how many weeks had her period been overdue?
- viii. Did she have a sharp pain in her abdomen shortly before death?
- ix. Did she die within 6 weeks of delivery, abortion or miscarriage?
- 515 x. For how many months was she pregnant?
- xi. Please confirm: you said she was NOT pregnant and had NOT recently been pregnant or delivered when she died is that right?
- xii. Did she die within 24 hours after delivery?
- xiii. Did she die during labor, and before delivery?
- 520 xiv. Did she die after delivering a baby?
- xv. Did she give birth to a live baby within 6 weeks of death?
- xvi. Did she die during or after a multiple pregnancy?
- xvii. Was she breastfeeding the child in the days before death?
- 525 xviii. How many births, including stillbirths, did she/the mother have before this baby?
- xix. Had she had any previous Caesarean section?
- xx. During pregnancy, did she suffer from high blood pressure?
- xxi. Did she have foul smelling vaginal discharge during pregnancy or after delivery?
- 530 xxii. During the last 3 months of pregnancy, did she suffer from convulsions?
- xxiii. During the last 3 months of pregnancy, did she suffer from blurred vision?
- xxiv. Did she have excessive bleeding during pregnancy before labor started?
- xxv. Was there vaginal bleeding during the first 6 months of pregnancy?
- 535 xxvi. Was there vaginal bleeding during the last 3 months of pregnancy but before labor started?
- xxvii. Did she have excessive bleeding during labor or delivery?
- xxviii. Did she have excessive bleeding after delivery or abortion?
- xxix. Was the placenta completely delivered?
- xxx. Did she deliver or try to deliver an abnormally positioned baby?
- 540 xxxi. For how many hours was she in labor?
- xxxii. Did she attempt to terminate the pregnancy?

- xxxiii. Did she recently have a pregnancy that ended in an abortion (spontaneous or induced)?
- xxxiv. Did she die during an abortion?
- 545 xxxv. Did she die within 6 weeks of having an abortion?
- xxxvi. Where did she give birth?
- xxxvii. Did she receive professional assistance during the delivery?
- xxxviii. Did she have an operation to remove her uterus shortly before death?
- xxxix. Was the delivery normal vaginal, without forceps or vacuum?
- 550 xl. Was the delivery vaginal, with forceps or vacuum?
- xli. Was the delivery a Caesarean section?
- xlii. Was the baby born more than one month early?
1. Health Service Utilization value sets related to a pregnancy, labor, and delivery have not been specifically generated for the following, though general support for mapping from procedures is identified:
- 555
- i. Did (s)he receive any treatment for the illness that led to death?
- ii. Did (s)he receive oral rehydration salts?
- iii. Did (s)he receive (or need) intravenous fluids (drip) treatment?
- iv. Did (s)he receive (or need) a blood transfusion?
- 560 v. Did s/he receive (or need) treatment/food through a tube passed through the nose?
- vi. Did (s)he receive (or need) injectable antibiotics?
- vii. Did (s)he receive (or need) antiretroviral therapy (ART)?
- viii. Did (s)he have (or need) an operation for the illness?
- 565 ix. Did (s)he have the operation within 1 month before death?
- x. Was (s)he discharged from hospital very ill?
- xi. Was care sought outside the home while (s)he had this illness?
- xii. Where or from whom did you seek care?
- 570 xiii. Record the name and address of any hospital, health center or clinic where care was sought
- xiv. Did a health care worker tell you the cause of death?
- xv. What did the health care worker say? (narrative, no value set)

- xvi. Do you have any health records that belonged to the deceased? (not in health record – no prepop)
- 575 xvii. Can I see the health records? (not in health record – no prepop)
- xviii. Record the date of the most recent (last) visit
- xix. Record the date of the last but one (second last) visit
- xx. Record the date of the last note on the health records
- xxi. Record the weight (in kilograms) written at the most recent (last) visit
- 580 xxii. Record the weight (in kilograms) written at the last but one (second last) visit
- xxiii. Transcribe the last note on the health records. (narrative, no value set)
- xxiv. In the final days before death, did s/he travel to a hospital or health facility?
- xxv. Did (s)he use motorized transport to get to the hospital or health facility?
- xxvi. Were there any problems during admission to the hospital or health facility?
- 585 xxvii. Were there any problems with the way (s)he was treated (medical treatment, procedures, interpersonal attitudes, respect, dignity) in the hospital or health facility?
- xxviii. Were there any problems getting medications, or diagnostic tests in the hospital or health facility?
- 590 xxix. Does it take more than 2 hours to get to the nearest hospital or health facility from the deceased's household?
- xxx. In the final days before death, were there any doubts about whether medical care was needed?
- xxxi. In the final days before death, was traditional medicine used?
- 595 xxxii. In the final days before death, did anyone use a telephone or cell phone to call for help?
- xxxiii. Over the course of illness, did the total costs of care and treatment prohibit other household payments?
- m. Some of the attributes from the WHO Verbal Autopsy Report are not yet in VRDR:
 - 600 i. Is this a region of high HIV/AIDS prevalence?
 - ii. Is this a region of high malaria prevalence?
 - iii. Marriage Date – This would need a new LOINC code for an OBX observation.
- 605 n. Ability to read/write – currently included support for ‘Language’, but for more precision, this would need a new LOINC code for an OBX observation.

- o. Added Employment Status with LOINC of 11295-3. Need to review whether a different code would be more appropriate.
- p. Place of Registration – this would need a new LOINC code for an OBX observation. Could profile to be included in the MSH segment.
- 610 q. Attributes relating to the informer would need either additional message profiling (potentially leveraging the PRT segment] and/or new LOINC codes:
 - i. Name of VA Respondent
 - ii. Respondent’s relationship to deceased
 - iii. Name of VA Interviewer
 - 615 iv. Time at start of interview
 - v. Time at end of interview
 - vi. Date of interview
 - vii. Did respondent give consent
- r. During which season did (s)he die? (Wet/Dry)
- 620 s. For how many days was (s)he ill before (s)he died?
- t. Did (s)he die suddenly?
- u. Optional Open Narrative
- v. Was a death certificate issued?
- w. Can I see the death certificate?

625

Closed Issues

- 1. Where should the list of data elements be specified in this new template? In the past, they were included in X.6 Content Module in some profiles. Resolved - We have included a new Section X.7 Data Requirements.
- 630 2. We will need to review whether both XPHR and MS are both appropriate for this profile or whether we need to limit to MS to capture the required attributes for the U.S. death certificate. Also the HL7 Continuity of Care Document (CCD^{®4}). Resolved - Profile includes support for all summary document types to prepop and constrains only MS for the VRDR Pre-pop Option.

⁴ CCD is the registered trademark of Health Level Seven International.

- 635 3. How to reference the HL7 Message IG for VRDR in full that can be tested. Resolved -
Profile directly references with no constraints and successfully tested at Connectathon
2015.
- 640 4. How to reference the HL7 Document IG for VRDR in full that can be tested. Resolved -
Profile directly references with no constraints and successfully tested at Connectathon
2015.
- 645 5. Should we establish a common actor pair for HL7 information source and recipient
(currently specific to Information source and Information Recipient), Resolved -
Information source and Information recipient have been added. Payload will never be
common.
- 645 6. HL7 Issue – OBX is optional in HL7 – we want it required. Resolved - OBX has been
changed to Required in the HL7 V2.6 IG
- a. This was brought through the formalization process in HL7
- b. HL7 formalized the OBX R, so statements leading in to the section requirements in
Volume 2 should be updated to indicate NO FURTHER constraints
- 650 7. The ‘Save Form For Continued Editing’ Option on the Form Manager has no specific
strategies identified. Resolved through QRPH and vendor discussions. VRDR was
modified to state, "In order to support the need to save a form for editing at a later time,
the Form Filler SHALL be able to submit a form for the same patient multiple times."
Vendors encouraged allowing vendor specific solutions to address this issue, when
655 needed rather than a defined profile approach.
8. TEMPLATE OPEN ISSUE: Template does not include optionality column. Resolved –
referred to template committee. No change to document.
9. Pre-population using currently CCDA will remain out of scope pending IHE
harmonization efforts. CCDA Refactoring impact on XPHR, MS, CCD references.
660 Resolved as stated.
10. Cause of Death (Immediate) - This is mapped to one LOINC in V2.6 for COD in the
existing specification; however, we plan to submit a comment to STU to separate
Immediate COD from the Intermediate Causes. LOINC code has already been requested.
It was decided by HL7 and NCHS/DVS to model the death causes ordered sequentially
665 with the immediate cause of death given the sequence number "1", and the underlying
cause of death being given the highest sequence number among the set of cited causes.
11. Volume 2 Messaging mapping table - Were autopsy findings available to complete the
COD - This is a DR whereas the question is BL – Were autopsy results available to
complete the COD? Only correlation available in the V2.6 IG. Resolved - Autopsy results
670 have been identified at BL in V2.6 IG.
12. Volume 3 6.3.1.D.4 Data Element Requirement Mappings to CDA Cause of Death
code/@code="69453-9" Cause Of Death (CodeSystem: 2.16.840.1.113883.6.1 LOINC):

- Pending LOINC updates for cause of death and interval. Resolved - LOINC codes for COD and interval have been added to the profile.
- 675 13. Volume One Actors and Options – Archive Form: Need to sort out how this handles VRDR pre-pop or Pre-pop - Pending CP details. Resolved. Archive Form Option included with direct reference to ITI approaches. No impact to VRDR.
- 680 14. Volume One Actors and Options – Doesn't have an archive option - Beware of Archive Form updates to RFD. Resolved. No ITI updates to Archive Form. Archive Form Option included with direct reference to ITI approaches. No impact to VRDR.
- 685 15. Volume 1 Actors and Transactions – Form Receiver CDA Exporter - How do we reference the additional XD* transactions required of the Form Receive CDA Exporter? (ITI-41, ITI-1, ITI-19, ITI-20?). Resolved – reference only by XD*.
- 685 16. TEMPLATE OPEN ISSUE: We should add HL7 Templates for clinical statements referenced in the profile – where would these go? Resolved – as already implemented, reference only clinical statements that have constraints. Updated the Metadata constraints and remove multiple inheritance and directly constrain the metadata as was done with BFDR.
- 690 17. TEMPLATE OPEN ISSUE: The template does not really support the need to specify the mappings for the form receiver message exporter, form receiver CDA exporter, and the Pre-population requirements for the Form Manager. These have been reflected together as subsections to 6.3.1.D.4 Data Element Requirement Mappings. Resolved. Implemented as subsections to Data Element Requirement Mappings in Volume 3. Referred recommendation to template committee.
- 695 18. Death Location Type needs to stay aligned with requested HL7 corrections. Updates from HL7 will be applied to this profile once corrections made. Resolved – updated to reflect revisions from HL7, including modelling, OIDs, LOINC, and clarification statements.
- 700 19. Autopsy Value set is pending clinical review. Resolved. Updated to reference modified value sets.
- 700 20. The Pronouncement Entry may require a new LOINC code. Resolved, Updated to reflect modified modelling and vocabularies used by HL7 IG.
- 700 21. May need to replace LOINC for VRDR Death Report Section currently listed as 64297- 'Death certificate'. Resolved. Updated to "69409-1" U.S. standard certificate of death - 2003 revision.
- 705 22. Vital Records Death Reporting VRDR Conformance and Example is pending sample generation through MDHT. Resolved. Updated reference location for implementation example.
23. Sample documents to be loaded on the FTP site are pending. Resolved. Updated reference location for implementation example.

- 710 24. The requirement that a form manager be able to supply the partially filled and saved form
if the same request is submitted for the same patient is listed for the Form Manager, but
there is no specification for how this is done. May need future ITI transactions. Resolved
715 through QRPH and vendor discussions. VRDR was modified to state, "In order to support
the need to save a form for editing at a later time, the Form Filler SHALL be able to
submit a form for the same patient multiple times." Vendors encouraged allowing vendor
specific solutions to address this issue, when needed rather than a defined profile
approach.
- 720 25. There is no representation for date of death qualifier (e.g., approximate); needs to be
aligned with HL7. Resolved. Updated to specify location for specifying date of death
qualifier with clarification language corresponding to modelling and guidance from the
HL7 IG.
26. ID (e.g., SSN) may need to be on patient in the future – under discussion in HL7.
Resolved. Updated to internationalize the Jurisdiction Patient ID reference beyond U.S.
specific SSN.
- 725 27. Specify the update message and any form manager form filler associated with update
needs. Resolved. No change needed.
28. CDA IG does not have this concept (45) only 47. Resolved. HL7 IG has been updated to
include this in the modelling. VRDR is updated to reflect modified modelling and value
sets.
- 730 29. CDA does not include representation for the role of the certifier, but the message does.
Only the Certifier Role is represented in the CDA, but not the CDA IG does not have this
concept (45) only (47). Alignment with HL7 is pending, Resolved. HL7 IG has been
updated to include this in the modelling. VRDR is updated to reflect modified modelling
and value sets.
- 735 30. Title of Certifier modeling for CDA mapping will need harmonization with HL7 –
concept not modeled in the HL7 CDA IG. Updated VRDR to align with revised HL7 IG
modelling for this concept.
31. Do we continue to offer grouping guidance? No required grouping
- 740 32. If MU requires Race / Ethnicity then we may require this. Resolved: The CMS
Meaningful Use Objectives support recording race and ethnicity information in the EHR
as stated in: §170.304 (c) Record demographics updated 8/13/2010
http://healthcare.nist.gov/docs/170.304.c_RecordDemographicsAmb_v1.0.pdf Also
Requires use of OMB Race / Ethnicity Codes available at:
745 http://www.whitehouse.gov/omb/inforeg_statpolicy/#dr. We will modify the description
to indicate that race and ethnicity information will be reported by the funeral director or
next of kin as the primary source of information. However, the EHR may also serve as a
resource for documenting race and ethnicity information. - modifying from pre-populated
to direct data entry. Added note: Pre-populateData Entry Required.

- 750 33. Included NOTE: data elements would be reported by the funeral director or next of kin, and the EHR would not be the primary source. However, the EHR may also serve as a resource for documenting race and ethnicity information to inform the content of this attribute.
- 755 34. Is there a new attribute needed to indicate the date the certificate was signed vs the date the certificate is certified? Do we need one for the date the certificate is signed by the pronouncer? No new attribute identified.
- 760 35. HL7 has updated the VRDR CDA document specifications with any considerations of reporting from the jurisdiction to the national statistics agency. The Form Receiver CDA Exporter mapping has been updated with the additional attributes identified in this updated specification.
- 760 36. HL7 has updated the HL7 VRDR CDA document. Some of the mapping, particularly mapping of data initiated by the jurisdiction was added as part of this update.

General Introduction

765

Update the following Appendices to the General Introduction as indicated below. Note that these are not appendices to Volume 1.

Appendix A – Actor Summary Definitions

Add the following actors to the IHE Technical Frameworks General Introduction list of actors:

Actor	Definition
Information Source	The Information Source is responsible for creating and transmitting an HL7 V2.6 message to an Information Recipient.
Information Recipient	The Information Recipient is responsible for receiving the HL7 V2.6 message from an Information Source or from a Form Receiver Message Exporter.
Form Receiver CDA Exporter	This Form Receiver CDA Exporter receives data submitted through the Submit Form Transaction (ITI-35), transforms that data to create a CDA document, and shares that newly created CDA document with a Content Consumer.
Form Processor CDA Exporter	This Form Processor CDA Exporter receives data submitted through the Submit Form Transaction (ITI-35), transforms that data to create a CDA document, and shares that newly created CDA document with a Content Consumer.
Form Receiver Message Exporter	This Form Receiver Message Exporter receives data submitted through the Submit Form Transaction (ITI-35), transforms that data to an HL7 message and sends that message to an Information Recipient.
Form Processor Message Exporter	This Form Processor Message Exporter receives data submitted through the Submit Form Transaction (ITI-35), transforms that data to an HL7 message and sends that message to an Information Recipient.
Data Consumer	The Data Consumer is responsible for initiating a query to a Data Responder for resource information, and receiving the result of the query.
Data Responder	The Data Responder is responsible for receiving a query and supplying the corresponding resource information.

Appendix B – Transaction Summary Definitions

770

Add the following transactions to the IHE Technical Frameworks General Introduction list of Transactions:

Transaction	Definition
VRDRFeed [QRPH-38]	This transaction transmits the HL7 V2.6 formatted message containing the Vital Records Death Reporting information
VRDRQuery [QRPH-47]	This transaction supports queries for Death Reporting information.

Glossary

775

Add the following glossary terms to the IHE Technical Frameworks General Introduction Glossary:

IHE Quality, Research and Public Health Technical Framework Supplement – Vital Records
Death Reporting (VRDR)

Glossary Term	Definition
Causes of death	All those diseases, morbid conditions or injuries which either resulted in or contributed to death and the circumstances of the accident or violence which produced such injuries. (ref ICD-10 vol 2, Section 4.1.1)
Certifier	Person authorized by law (e.g., the physician who attended the deceased in his/her last illness; or the medical examiner/coroner for deaths of persons who were not attended during the last illness by a physician or for unnatural deaths due to violence or accident) who reports, on the prescribed form, stating to the best of his/her knowledge and belief, the cause of death and other facts related to the event for submission to the registrar (ref UN, Handbook of Vital Statistics Systems and Methods, Volume 1, Glossary)
Certifies	Process of reporting in the jurisdiction's prescribed format on the prescribed form, to the best of his/her knowledge and belief, the cause of death and other facts related to the event for submission to a registrar
EDRS	Electronic death registration system is a jurisdiction-based system used to create and register the legal death certificate.
Immediate cause of death	Final disease or condition resulting in death, that is, one that is most proximate to time of death.
Interval from onset to death	Minutes, hours, days, weeks, months, or years between the onset of each condition and the date of death (ref ICD-10 vol 2, section 4.1.3)
Manner of death	Way the conditions reported as causes of death resulted in death, or for injuries, intent.
Other contributing causes of death	Conditions that unfavorably influence the course of the morbid process and thus contributes to the fatal outcome, but which is not related to the disease or condition directly causing death (ref ICD-10, vol 2, section 4.1.3 and UN, Handbook of Vital Statistics Systems and Methods, Volume 1, Glossary)
Pronouncer	When physician responsible for completing the medical certification of cause of death is not available at the time of death and the jurisdiction has a law providing for a pronouncer, person who determines that the decedent is legally dead but who was not in charge of the patient's care for the illness or condition that resulted in death.(ref Medical Examiners' and Coroners' Handbook on Death Registration and Fetal Death Reporting)
Pronouncing	Process of determining and reporting, in the prescribed format, that the decedent is legally dead
Sequence	Term refers to two or more conditions entered on successive lines of Part I of the cause-of-death statement, each condition being an acceptable cause of the one entered on the line above it (ref ICD-10, vol 2, section 4.1.5)
Underlying cause of death	The disease or injury which initiated the train of morbid events leading directly to death, or the circumstances of the accident or violence which produced the fatal injury (ref ICD-10, vol 2, section 4.1.2)

Volume 1 – Profiles

Copyright Licenses

Add the following to the IHE Technical Frameworks General Introduction Copyright section:

780 None

Add Section X

X Vital Records Death Reporting (VRDR) Profile

785 The Vital Records Death Reporting (VRDR) Profile provides a means to capture and communicate information needed to report a death.

The Vital Records Death Reporting (VRDR) is a content profile that defines the content of Vital Records Death Reporting information that is transmitted by clinical systems to public health systems for vital registration purposes. This profile uses several different mechanisms for capturing and communicating that information:

- Defined content in CDA documents,
- Defined content in HL7 V2.6 messaging,

Electronic data capture and form submission is performed using transactions from the ITI Retrieve Form for Data Capture (RFD) Profile with transformation capabilities provided by three actors:

1. Form Receiver CDA Exporter which transforms the form data to a VRDR CDA Document defined in this profile in Volume 3
2. Form Processor CDA Exporter which transforms the form data to a VRDR CDA Document defined in this profile in Volume 3
- 800 3. Form Receiver Message Exporter which transforms the form data to a VRDRFeed [QRPH-38] HL7 message defined in this profile in Volume 2

X.1 VRDR Actors, Transactions, and Content Modules

This section defines the actors, transactions, and/or content modules in this profile. General definitions of actors are given in the Technical Frameworks General Introduction Appendix A at http://www.ihe.net/Technical_Frameworks.

Figure X.1-1 shows the actors directly involved in the VRDR Profile and the relevant transactions between them. If needed for context, other actors that may be indirectly involved due to their participation in other related profiles are shown in dotted lines. Systems implementing this profile for reporting of deaths to Vital Records may leverage RFD transactions to collect the information through pre-population of forms supplemented by data entry, through messaging, or using a CDA R2 document. There is also the possibility of using the RFD transactions to support the data collection such that the submitted form is exported into specified HL7 Message or VRDR CDA. There are five HL7-defined message profile use cases specified by the HL7 2.6 Messaging standard for VRDR:

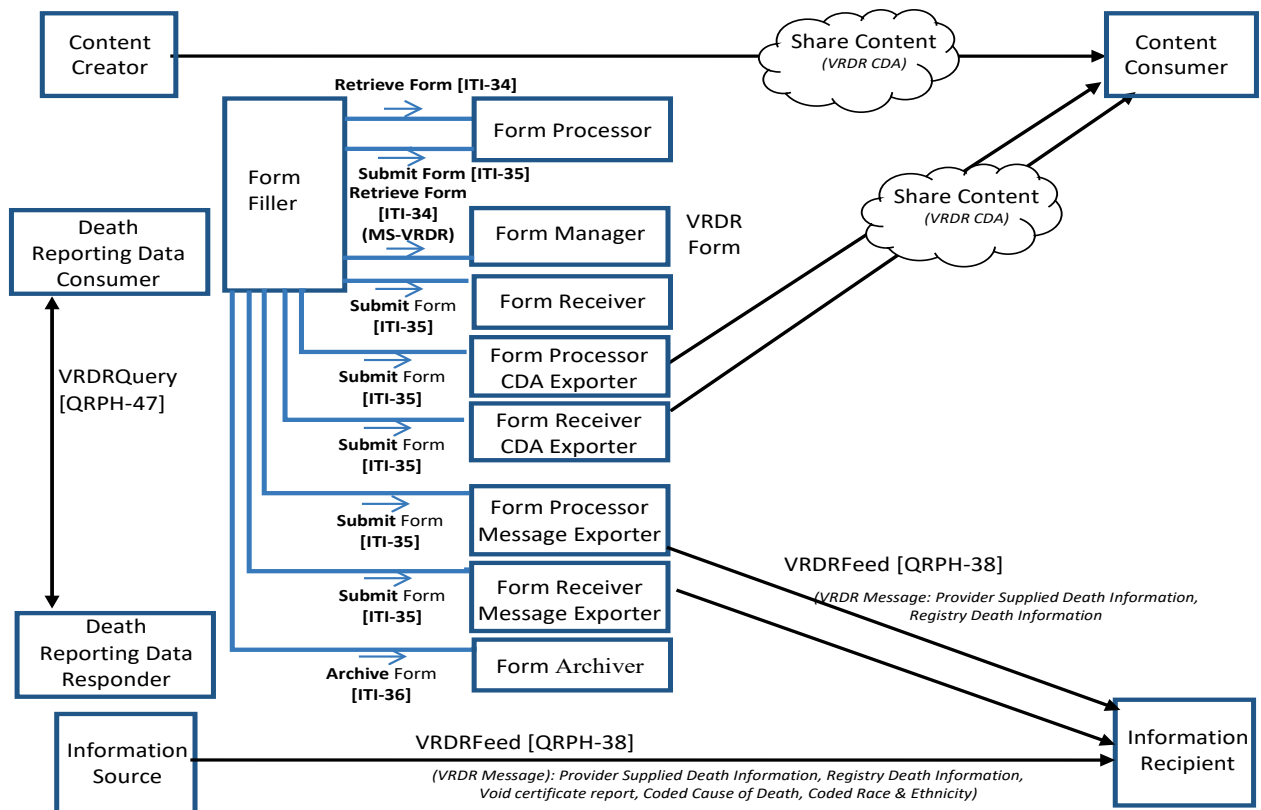
- 815 • Provider Supplied Death Information Messaging
- Jurisdiction Death Information Messaging
- Void Certificate Reporting Messaging
- Coded Cause of Death Messaging

- Coded Race / Ethnicity Messaging

820 Figure X.1-1 references these as options in the context of the IHE VRDR actors as appropriate to align with these use cases.

Systems initiating communications of Vital Records Death Reporting information implement either Content Creator (VRDR Document) or Information Source, or Form Filler

825 Systems receiving/consuming communications of Vital Records Death Reporting information implement either Content Consumer (VRDR Document), Information Recipient, or one of the four Form Receiver Actors (Form Receiver, Form Receiver CDA Exporter, Form Processor CDA Exporter, Form Receiver Message Exporter, or Form Processor).



830 **Figure X.1-1: VRDR Actor Diagram**

Table X.1-1 lists the transactions for each actor directly involved in the VRDR Profile. To claim compliance with this profile, an actor shall support all required transactions (labeled “R”) and may support the optional transactions (labeled “O”).

Table X.1-1: VRDR Profile - Actors and Transactions

Actors	Transactions	Optionality	Reference
Form Filler	Retrieve Form [ITI-34]	R	ITI TF-2b: 3.34
	Submit Form [ITI-35]	R	ITI TF-2b: 3.35
	Archive Form [ITI-36]	O	ITI TF-2b: 3.36
Form Manager	Retrieve Form [ITI-34]	R	ITI TF-2b: 3.34
Form Processor	Retrieve Form [ITI-34]	R	ITI TF-2b: 3.34
	Submit Form [ITI-35]	R	ITI TF-2b: 3.35
Form Receiver	Submit Form [ITI-35]	R	ITI TF-2b: 3.35
Form Receiver CDA Exporter	Submit Form [ITI-35]	R	ITI TF-2b: 3.35
Form Processor CDA Exporter	Submit Form [ITI-35]	R	ITI TF-2b: 3.35
Form Receiver Message Exporter	Submit Form [ITI-35]	R	ITI TF-2b: 3.35
	VRDRFeed [QRPH-38]	R	QRPH TF: 3.38
Form Processor Message Exporter	Submit Form [ITI-35]	R	ITI TF-2b: 3.35
	VRDRFeed [QRPH-38]	R	QRPH TF: 3.38
Form Archiver	Archive Form [ITI-36]	R	ITI TF-2b: 3.36
Information Source	VRDRFeed [QRPH-38]	R	QRPH TF-2: 3.38
Information Recipient	VRDRFeed [QRPH-38]	R	QRPH TF-2: 3.38
Data Consumer	VRDRQuery [QRPH-47]	R	QRPH TF 2: 3.47
Data Responder	VRDRQuery [QRPH-47]	R	QRPH TF 2: 3.47
Content Creator	N/A	N/A	N/A
Content Consumer	N/A	N/A	N/A

835

Table X.1-2: VRDR Profile - Actors and Content Modules

Actors	Content Modules	Optionality	Reference
Content Creator	Vital Records Death Reporting Document (1.3.6.1.4.1.19376.1.7.3.1.1.23.1)	R	QRPH TF-3: 6.3.1.D1.5
Form Receiver CDA Exporter	Vital Records Death Reporting Document (1.3.6.1.4.1.19376.1.7.3.1.1.23.1)	R	QRPH TF-3: 6.3.1.D1.5
Form Processor CDA Exporter	Vital Records Death Reporting Document (1.3.6.1.4.1.19376.1.7.3.1.1.23.1)	R	QRPH TF-3: 6.3.1.D1.5
Content Consumer	Vital Records Death Reporting Document (1.3.6.1.4.1.19376.1.7.3.1.1.23.1)	R	QRPH TF-3: 6.3.1.D1.5 QRPH TF-3: 6.3.1.D1

X.1.1 Actor Descriptions and Actor Profile Requirements

Most requirements are documented in Transactions (Volume 2) and Content Modules (Volume 3). This section documents any additional requirements on profile's actors.

840 Registration practices differ somewhat across jurisdictions. Official mortality statistics are generally derived from the death record filed in compliance with the registration laws. This profile includes data elements collected by multiple jurisdictions.

X.1.1.1 Form Filler

845 The Form Filler is defined in the ITI Retrieve Form for Data Capture (RFD) Profile. In the VRDR Profile, the Form Filler SHALL support XHTML (see ITI TF-2b: 3.34.4.1). The form is presented when the certifier is ready to enter death information for the purpose of completing the decedent's death certificate.

In order to support the need to save a form for editing at a later time, the Form Filler SHALL be able to submit a form for the same patient multiple times.

X.1.1.2 Form Manager

850 The Form Manager is defined in the ITI RFD Profile. In the VRDR Profile, the Form Manger SHALL support XHTML and (see ITI TF-2b: 3.34.4.1).

The form manager shall state which jurisdiction they support

855 The system fulfilling this role in the VRDR Profile SHALL accept pre-pop data in the form of content defined by any of the following summary documents:

- IHE PCC MS (Referral Summary 1.3.6.1.4.1.19376.1.5.3.1.1.3),
- Discharge Summary 1.3.6.1.4.1.19376.1.5.3.1.1.4),
- IHE PCC XPHR (1.3.6.1.4.1.19376.1.5.3.1.1.5),
- HL7 Continuity of Care Document (CCD) (2.16.840.1.113883.10.20.1.22), or
- 860 • IHE QRPH (MS-VRDR) (1.3.6.1.4.1.19376.1.7.3.1.1.23.2)

and return a form that has been appropriately pre-populated based on the mapping rules specified in QRPH TF-3: 6.3.1.D1.4.3 Data Element Requirement Mappings for Form Pre-Population. The Form Manager shall support ALL of these pre-pop documents. The Form Manager must also support data capture in the absence of a pre-pop document.

865 If the Form Filler retrieves a previously populated form, the Form Manager shall supply the previously populated content. How the Form Manager maintains the previously populated form between submissions is not specified by IHE.

X.1.1.3 Form Receiver

870 The Form Receiver is defined in the ITI RFD Profile. In the VRDR Profile, the Form Receiver SHALL receive the populated form from the Form Filler when the form is submitted. No further requirements are placed on the Form Receiver within the scope of this profile.

X.1.1.4 Form Receiver CDA Exporter

875 This Form Receiver CDA Exporter receives data submitted through the Submit Form Transaction [ITI-35], transforms that data to create a CDA document, and shares that newly created CDA document with a Content Consumer. For VRDR, this transforms that data to create the VRDR CDA Document Content (1.3.6.1.4.1.19376.1.7.3.1.1.23.1) defined in QRPH TF-3: 6.3.1.D1.5, and shares that newly created VRDR content document with a Content Consumer. Detailed rules for the VRDR CDA Document Content are fully defined in QRPH TF-3: 6.3.1.D1.5. Specification of the transformation rules from the Form to the CDA content is fully
880 specified in QRPH TF-3: Table 6.3.1.D1.4.1 Data Element Requirement Mappings to CDA.

X.1.1.5 Form Processor CDA Exporter

885 This Form Processor CDA Exporter receives data submitted through the Submit Form Transaction [ITI-35], transforms that data to create a CDA document, and shares that newly created CDA document with a Content Consumer. For VRDR, this transforms that data to create the VRDR CDA Document Content (1.3.6.1.4.1.19376.1.7.3.1.1.23.1) defined in QRPH TF-3: 6.3.1.D1.5, and shares that newly created VRDR content document with a Content Consumer. Detailed rules for the VRDR CDA Document Content are fully defined in QRPH TF-3: 6.3.1.D1.5. Specification of the transformation rules from the Form to the CDA content is fully
specified in QRPH TF-3: Table 6.3.1.D1.4.1 Data Element Requirement Mappings to CDA.

X.1.1.6 Form Receiver Message Exporter

890 This Form Receiver Message Exporter receives data submitted through the Submit Form [ITI-35] transaction, transforms that data to an HL7 message and sends that message to an Information Recipient. For VRDR, this transforms that data to be in compliance with the requirements of the HL7 V.2.5.1 VRDRFeed [QRPH-38] transaction using either the Provider
895 Supplied Death Information Option or the Jurisdiction Death Information Option, and sends that data to an Information Recipient using [QRPH-38]. Specification of the transformation rules from the Form to the message content is fully specified in QRPH TF-3: Table 6.3.1.D1.4.2 Data Element Requirement Mappings to Message.

X.1.1.7 Form Processor Message Exporter

900 This Form Processor Message Exporter receives data submitted through the Submit Form [ITI-35] transaction, transforms that data to an HL7 message and sends that message to an Information Recipient. For VRDR, this transforms that data to be in compliance with the requirements of the HL7 V.2.5.1 VRDRFeed [QRPH-38] transaction using either the Provider Supplied Death Information Option or the Jurisdiction Death Information Option, and sends that

905 data to an Information Recipient using [QRPH-38]. Specification of the transformation rules from the Form to the message content is fully specified in QRPH TF-3: Table 6.3.1.D1.4.2 Data Element Requirement Mappings to Message.

X.1.1.8 Form Processor

The Form Processor is defined in the ITI RFD Profile.

910 The Form Processor SHALL support XHTML.

The system fulfilling this role in the VRDR Profile SHALL accept pre-pop data in the form of content defined by any of the following summary documents:

- IHE PCC XDS-MS (Referral Summary 1.3.6.1.4.1.19376.1.5.3.1.1.3,
- Discharge Summary 1.3.6.1.4.1.19376.1.5.3.1.1.4),
- 915 • IHE PCC XPHR (1.3.6.1.4.1.19376.1.5.3.1.1.5),
- HL7 Continuity of Care Document (CCD) (2.16.840.1.113883.10.20.1.22), or
- IHE QRPH (MS-VRDR) (1.3.6.1.4.1.19376.1.7.3.1.1.23.2)

and return a form that has been appropriately pre-populated based on the mapping rules specified in QRPH TF-3: 6.3.1.D1.4.3 Data Element Requirement Mappings for Form Pre-Population. The
920 Form Processor shall support ALL of these pre-pop documents. The Form Processor must also support data capture in the absence of a pre-pop document.

If the Form Filler retrieves a previously populated form, the Form Processor shall supply the previously populated content. How the Form Processor maintains the previously populated form between submissions is not specified by IHE.

925 The Form Processor SHALL receive the populated form from the Form Filler when the form is submitted. No further requirements are placed on the Form Processor within the scope of this profile.

X.1.1.9 Form Archiver

930 The actions of the Form Archiver are defined in the ITI RFD Profile. In the VRDR Profile, the Form Archiver MAY be leveraged to support traceability of the submitted documents. No further refinements of that document are stated by this profile.

X.1.1.10 Information Source

No additional requirements.

X.1.1.11 Information Recipient

935 No additional requirements.

X.1.1.12 Content Creator

No additional requirements.

X.1.1.13 Content Consumer

No additional requirements.

940 X.1.1.14 Data Consumer

The Data Consumer is responsible for initiating a query using the Query for Death Reporting Data (VRDRQuery) [QRPH-47] message to the Data Responder to retrieve the Death Reporting data.

X.1.1.15 Data Responder

945 The Data Responder is responsible for responding to a Query for Death Reporting Data (VRDRQuery) [QRPH-47] message to the Data Consumer to provide the Death Reporting data.

X.2 VRDR Actor Options

Options that may be selected for each actor in this profile, if any, are listed in the Table X.2-1. Dependencies between options when applicable are specified in notes.

950

Table X.2-1: VRDR - Actors and Options

Actor	Option Name	Reference
Content Creator	None	--
Content Consumer	View ^{Note1}	PCC TF-1: 3.4.1.1
	Document Import ^{Note1}	PCC TF-1: 3.4.1.2
	Discrete Data Import ^{Note1}	PCC TF-1: 3.4.1.4
Form Filler	Summary Document Pre-Pop ^{Note2}	QRPH TF-1: X.2.1
	VRDR Pre-Pop ^{Note2}	QRPH TF-1: X.2.2
	Archive Form ^{Note2}	QRPH TF-1: X.2.3
Form Manager	None	--
Form Processor	None	--
Form Receiver	None	--
Form Receiver CDA Exporter	None	--
Form Processor CDA Exporter	None	--
Form Receiver Message Exporter	Provider Supplied Death Information Option ^{Note3}	QRPH TF-1: X.2.4
	Jurisdiction Death Information Option ^{Note3}	QRPH TF-1: X.2.5
Form Processor Message Exporter	Provider Supplied Death Information Option ^{Note3}	QRPH TF-1: X.2.4

Actor	Option Name	Reference
	Jurisdiction Death Information Option ^{Note3}	QRPH TF-1: X.2.5
Form Archiver	No options defined	--
Information Source	Provider Supplied Death Information Option ^{Note4}	QRPH TF-1: X.2.4
	Jurisdiction Death Information Option ^{Note4}	QRPH TF-1: X.2.5
	Void Certificate Reporting Option ^{Note4}	QRPH TF-1: X.2.6
	Coded Cause of Death Option ^{Note4}	QRPH TF-1: X.2.7
	Coded Race / Ethnicity Option ^{Note4}	QRPH TF-1: X.2.8
Information Recipient	Provider Supplied Death Information Option ^{Note5}	QRPH TF-1: X.2.4
	Jurisdiction Death Information Option ^{Note5}	QRPH TF-1: X.2.5
	Void Certificate Reporting Option ^{Note5}	QRPH TF-1: X.2.6
	Coded Cause of Death Option ^{Note5}	QRPH TF-1: X.2.7
	Coded Race / Ethnicity Option ^{Note5}	QRPH TF-1: X.2.8
Data Consumer	None	--
Data Responder	None	--

Note 1: The Content Consumer SHALL support at least one of these options

Note 2: The Form Filler SHALL support at least one of these options

Note 3: The Form Receiver Message Exporter and the Form Processor Message Exporter SHALL support either the Provider Supplied Death Information Option or the Jurisdiction Death Information Option

955

Note 4: The Information Source SHALL support at least one of these options

Note 5: The Information Recipient SHALL support at least one of these options

X.2.1 Summary Document Pre-Pop Option

960 This option enables Form Fillers to provide medical summary pre-pop data to the Form Manager. A Form Filler that supports the Summary Document Pre-Pop Option SHALL populate the value of the pre-popData parameter in the Retrieve Form Request (see ITI TF-2b: 3.34.4.1) with a well-formed xml document. The document SHALL be one of:

- IHE PCC XDS-MS Referral Summary (1.3.6.1.4.1.19376.1.5.3.1.1.3)
- IHE PCC XDS-MS Discharge Summary (1.3.6.1.4.1.19376.1.5.3.1.1.4)
- 965 • IHE PCC XPHR (1.3.6.1.4.1.19376.1.5.3.1.1.5)

- HL7 Continuity of Care Document (CCD) (2.16.840.1.113883.10.20.1.22)

X.2.2 VRDR Pre-Pop Option

970 This option enables Form Fillers to optimize the ability to process the clinical content to fill in the VRDR Form. A Form Filler that supports the VRDR Pre-Pop Option SHALL populate the value of the pre-popData parameter in the Retrieve Form Request (see ITI TF-2b: 3.34.4.1) with a well-formed xml document as defined in QRPH TF-3: 6.3.1.D2 Medical Summary for VRDR Pre-pop (MS-VRDR) Document Content Module (1.3.6.1.4.1.19376.1.7.3.1.1.23.2).

X.2.3 Archive Form Option

975 If the Form Filler supports the Archive Form Option, it shall support the Archive Form [ITI-36] transaction.

X.2.4 Provider Supplied Death Information Option

980 This option is intended to support communications from the provider to jurisdictional vital records office. The Form Receiver Message Exporter, the Form Processor Message Exporter, the Information Source, and the Information Recipients shall support the content defined for the Provider Supplied Death Information (PSDI) Option in the VRDRFeed [QRPH-38] transaction, see QRPH TF-2: 3.38.4.1

X.2.5 Jurisdiction Death Information Option

985 This option is intended to support communications from the jurisdictional vital records office to a national statistics agency. The Form Receiver Message Exporter, the Form Processor Message Exporter, the Information Source, and the Information Recipients shall support the content defined for the Jurisdiction Death Information (JDI) Option in the VRDRFeed [QRPH-38] transaction, see QRPH TF-2: 3.38.4.1.

X.2.6 Void Certificate Reporting Option

990 This option is intended to support communications from the jurisdictional vital records office to a national statistics agency. The Information Source, and the Information Recipients shall support the content defined for the Void Certificate Reporting (JDI-VOID) Option in the VRDRFeed [QRPH-38] transaction, see QRPH TF-2: 3.38.4.1.

X.2.7 Coded Cause of Death Option

995 This option is intended to support communications from a national statistics agency to the jurisdictional vital records office. The Information Source and the Information Recipients shall support the content defined for the Coded Cause of Death (CCOD) Option in the VRDRFeed [QRPH-38] transaction, see QRPH TF-2: 3.38.4.1.

Actors that support this option are able to send or receive coded cause of death information.

X.2.8 Coded Race / Ethnicity Option

1000 This option is intended to support communications from the national statistics agency to a jurisdictional vital records office. The Information Source and the Information Recipients shall support the content defined for the Coded Race / Ethnicity (CREI) Option in the VRDRFeed [QRPH-38] transaction, see QRPH TF-2: 3.38.4.1.

Actors that support this option are able to send or receive race and ethnicity information.

1005 In some jurisdictions, it is prohibited to send race and/or ethnicity. Use of this option may be constrained by national extension.

X.3 VRDR Required Actor Groupings

There are no required groupings with actors.

X.4 VRDR Overview

1010 Death reporting is a process for creating the legal record of a person's death and the process is subject to state or jurisdictional and international laws and regulations. Other uses of the information (e.g., statistical and public health) are byproducts of this process. Because a legal document is being created, concerns about capture in the native EHR are about verifying information, obtaining legally recognized signatures, making corrections, and how to handle transfers of responsibility when necessary.

1015 The major intersection between the Electronic Health Record (EHR) and the Electronic Death Registration System (EDRS) is the physician who serves as a common source of information. The electronic death registration system is interested in a medical practitioner's narrative opinion only about medical events that had a role in death and how these different conditions were related to each other. The EHR captures related items that inform the opinion about cause of death. As a WHO member country, the US is obligated by the WHO Nomenclature Regulations to collect and process cause-of-death information as specified in the relevant International Classification of Diseases (ICD). The rules, regulations, and guidelines in the ICD specify the format to capture the medical practitioner's clinical judgment of cause of death and specify that

1020 the information should be reported as text to ensure full flexibility in the range of diagnoses. Free-text data entry allows capture of new or yet to be discovered diseases, studies on terminology shifts, and centralizes responsibility for transitioning to and eases implementation of new ICD revisions. Additional items that the medical practitioner is responsible for providing give additional details on the causes of death that require direct data entry and information

1025 identifying the source of the information. There are more shared items in the larger death reporting process but those are items that funeral directors are required to report.

X.4.1 Concepts

In the current use case, a physician, normally the attending physician is responsible for completing the medical certification portion of the death record in the Electronic Death

1035 Reporting System (EDRS). The physician will get an email from the funeral director notifying
him that he has a death record to complete. After logging into the EDRS, the physician selects
and views the appropriate record from his queue of pending death records. He opens the
1040 electronic record and begins the process of completing it. The physician consults medical records
and those in recent contact with the decedent to formulate an opinion of the sequence of causes
and any other significant contributing causes that resulted in death. He completes all other
medical items on the record and electronically signs the record in the EDRS. The record is saved
and filed electronically with the state vital statistics office.

1045 In the following use cases, Vital Registration Systems or third party services facilitate the death
reporting process by supplying interoperable forms that use data captured natively by EHR
systems. This approach further minimizes the workload on the provider by pre-populating that
form from information already available in the EHR as provided to the form through standard
CDA content (IHE PCC XDS-MS, XPHR and HL7 CCD documents).

X.4.2 Use Cases

1050 The attending physician logs into the EHR and accesses the record of a recently deceased patient
to begin the process of completing information required for death certification. The EHR
presents a form to the physician that contains some data that has been pre-populated. She reviews
the form, completes the remaining items, and indicates that the record is complete and accurate
before data may be transmitted electronically into the EDRS. More information may be readily
1055 accessible in the EHR to formulate an opinion about causes of death. Jurisdictional legal
restrictions may still require the physician to log into the EDRS and sign the record in the EDRS
rather than being able to transfer the fact of the signature across the systems. The EDRS record is
saved and filed electronically with the state vital statistics office.

X.4.2.1 Use Case #1: Forms Data Capture with Messaging

1060 The Forms Data Capture with Messaging use case uses Retrieve Form for Data Capture (RFD)
transactions to present EDRS form for pre-population, and the Form Receiver system transforms
the information into an HL7 VRDR message to transmit the information to Public Health.

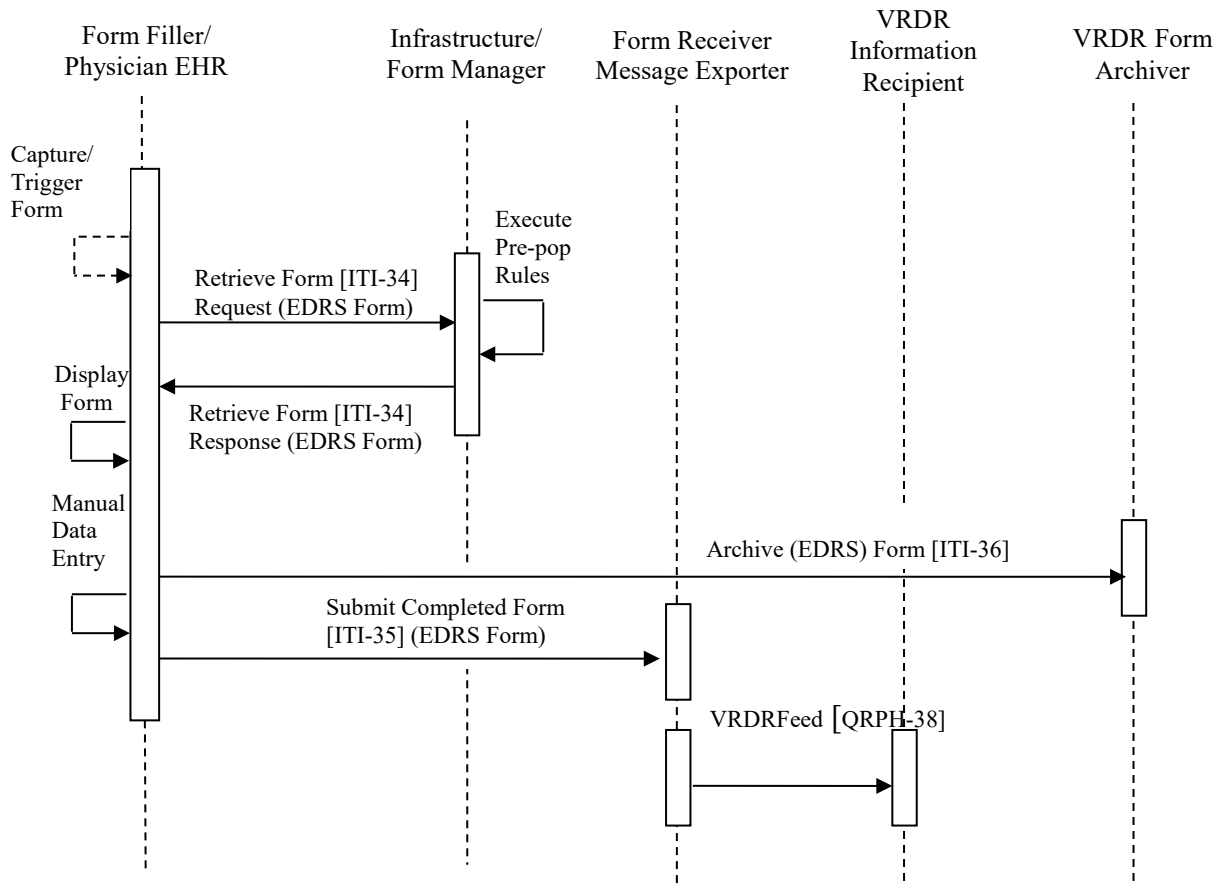
X.4.2.1.1 Forms Data Capture with Messaging Use Case Description

1065 When the decedent's death has been documented in the system, a Summary document (e.g., IHE
PCC Medical Summary, IHE PCC XPHR, CCD, MS-VRDR) is created. This Summary
document is provided as pre-population data to a public health IHE ITI Retrieve Form for Data
Capture (RFD) Forms Manager. The RFD Form Receiver provides the content to the EDRS by
way of a transform to the corresponding HL7 VRDR message.

X.4.2.1.2 Forms Data Capture with Messaging Process Flow

1070 The provider EHR presents the EDRS form providing a PCC XDS-MS, XPHR or CCD
document for Pre-population by the Form Manager. The provider completes the form, verifies
the accuracy of all information, and submits the form. The Form Receiver transforms the

information from the form into an HL7 VRDR message and transmits that message to the EDRS system using the VRDRFeed [QRPH-38] transaction.



1075

Figure X.4.2.1.2-1: Use Case 1-Forms Data Capture with Messaging

X.4.2.2 Use Case #2: Forms Data Capture with Document Submission

1080

The Forms Data Capture with Document Submission use case uses Retrieve Form for Data Capture (RFD) transactions to present EDRS form for pre-population, and the Form Receiver system transforms the information into an HL7 VRDR CDA R2 document to transmit the information to Public Health.

X.4.2.2.1 Forms Data Capture with Document Submission Use Case Description

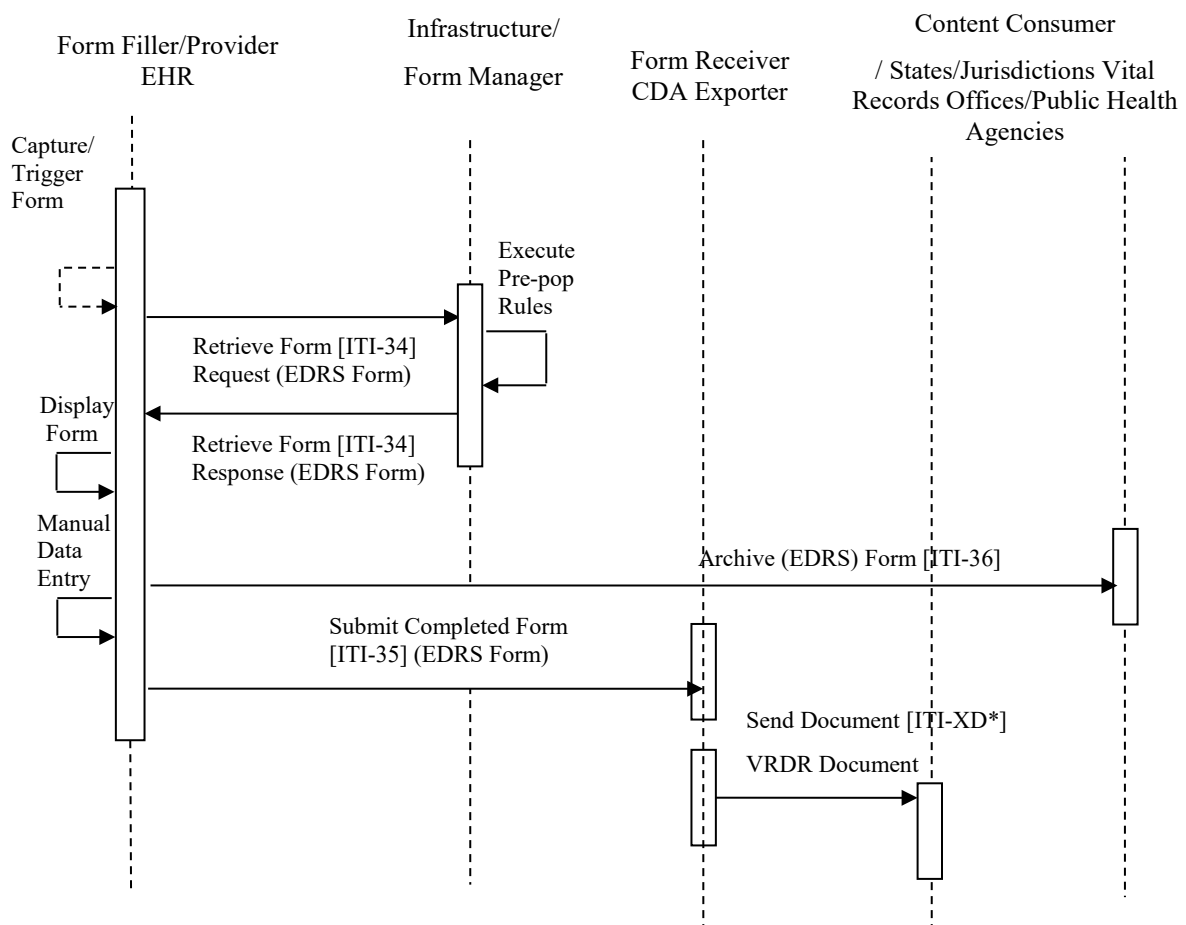
1085

When the decedent’s death has been documented in the system, a Summary document (e.g., IHE PCC Medical Summary, IHE PCC XPHR, CCD, MS-VRDR) is created. This Summary document is provided as pre-population data to a public health IHE ITI Retrieve Form for Data

Capture (RFD) Forms Manager. The RFD Form Receiver provides the content to the EDRS by way of a transform to the corresponding HL7 VRDR CDA R2 document.

X.4.2.2.2 Forms Data Capture with Document Submission Process Flow

1090 The provider EHR presents the EDRS form providing a PCC XDS-MS/XPHR or CCD document for Pre-population by the Form Manager. The provider completes the form, verifies the accuracy of all information, and submits the form. The Form Receiver transforms the information from the form into an HL7 VRDR CDA R2 document and it to the EDRS system.



1095 **Figure X.4.2.2.2-1: Use Case 2-Forms Data Capture with Document Submission**

X.4.2.3 Use Case #3: Native Forms Data Capture

1100 The Forms Data Capture with Document Submission use case uses Retrieve Form for Data Capture (RFD) transactions to present EDRS form for pre-population. The Form Receiver system is natively integrated into the EDRS.

X.4.2.3.1 Native Forms Data Capture Use Case Description

1105 When the decedent’s death has been documented in the system, a Summary document (e.g., IHE PCC Medical Summary, IHE PCC XPHR, CCD, MS-VRDR) is created. This Summary document is provided as pre-population data to a public health IHE ITI Retrieve Form for Data Capture (RFD) Forms Manager. The RFD Form Receiver information is consumed directly by the EDRS.

X.4.2.3.2 Native Forms Data Capture Process Flow

1110 The provider EHR presents the EDRS form providing a PCC XDS-MS/XPHR or CCD document for Pre-population by the Form Manager. The provider completes the form, verifies the accuracy of all information, and submits the form. The RFD Form Receiver information is consumed directly by the EDRS.

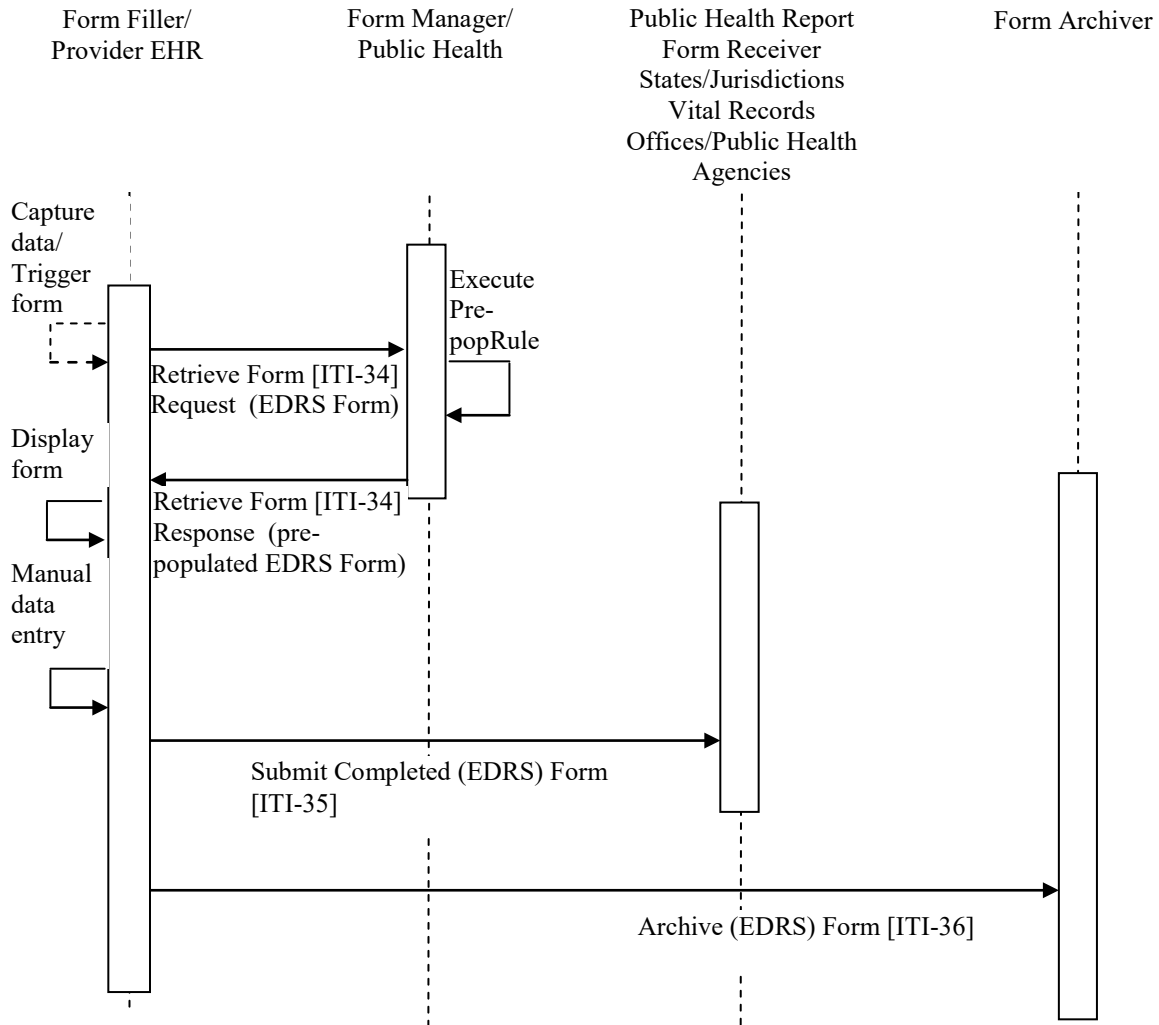


Figure X.4.2.3.2-1: Use Case 3-Native Forms Data Capture

1115 **X.4.2.4 Use Case #4: EHR VRDR Messaging**

In the EHR VRDR Messaging use case, the EHR creates the HL7 VRDR message directly and transmits the information to the EDRS.

X.4.2.4.1 VRDR Messaging Use Case Description

1120 When the decedent’s death has been documented in the system, the provider system (e.g., EHR, HIE) creates an HL7 VRDR message and sends the message to the EDRS directly. The EDRS communicates jurisdiction information to the national statistic agency where the standard coded cause of death is determined and returned to the jurisdiction vital records office.

X.4.2.4.2 VRDR Messaging Process Flow

1125 The provider sends the HL7 VRDRFeed message to the jurisdiction EDRS. The jurisdiction
 EDRS sends jurisdiction information with narrative cause of death to the national statistics
 agency system where the narrative cause of death is coded according to standard guidance from
 the World Health Organization (WHO) provided in the International statistical classification of
 diseases and related health problems 10th Revision, Volume 2 Instruction Manual. The coded
 cause of death is returned to the jurisdiction vital records office EDRS. In accordance with
 1130 jurisdictional requirements, Race and/or Ethnicity are also returned from the National Statistics
 Agency to the originating jurisdictional vital records office using the Coded Race / Ethnicity
 option. Due to paper jam damage of the printed official certificate that bears the death certificate
 number, a Void Certificate Reporting message is sent by the jurisdictional vital records office to
 the national statistics agency to void the submission. The death registration will subsequently be
 1135 transmitted with a new death certificate number using the same transaction series between the
 originating jurisdictional vital records office and the National Statistics Agency.

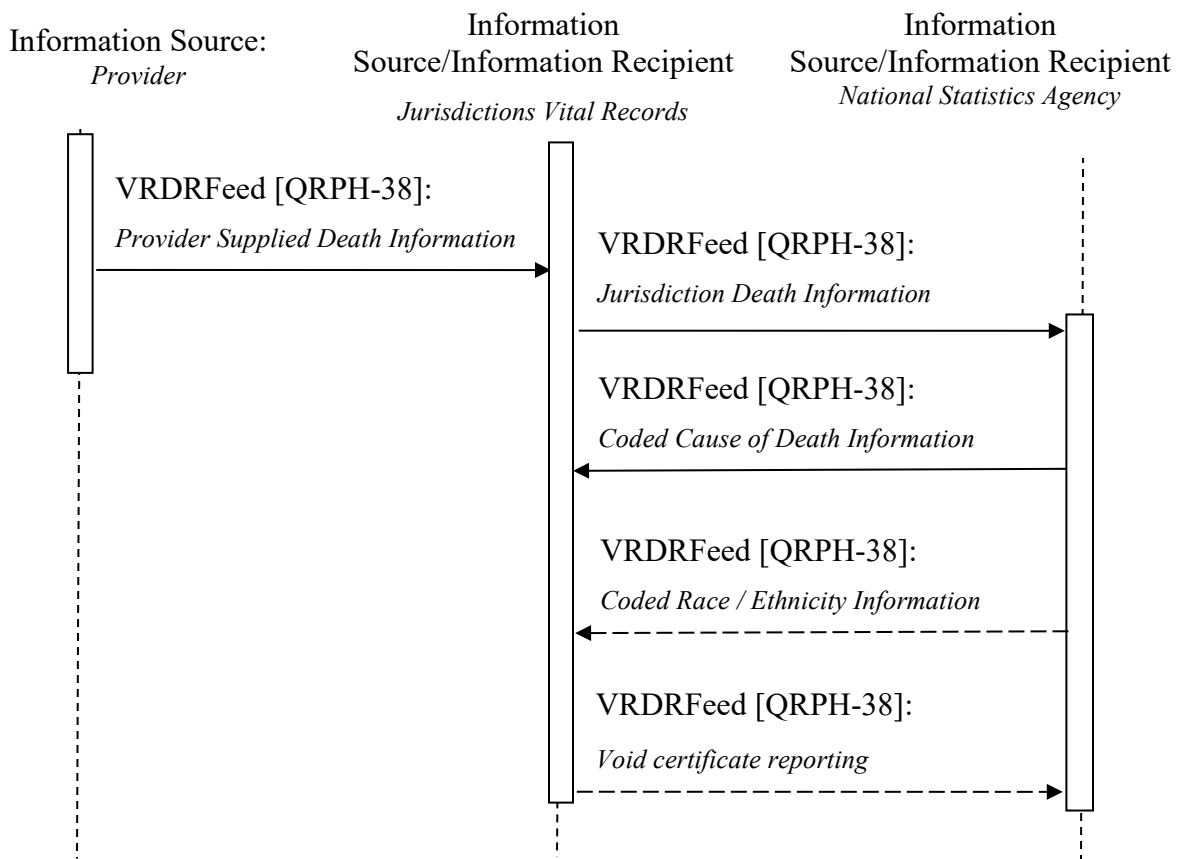


Figure X.4.2.4.2-1: Use Case 4- VRDR Messaging

1140 **X.4.2.5 Use Case #5: Provider VRDR Document Submission**

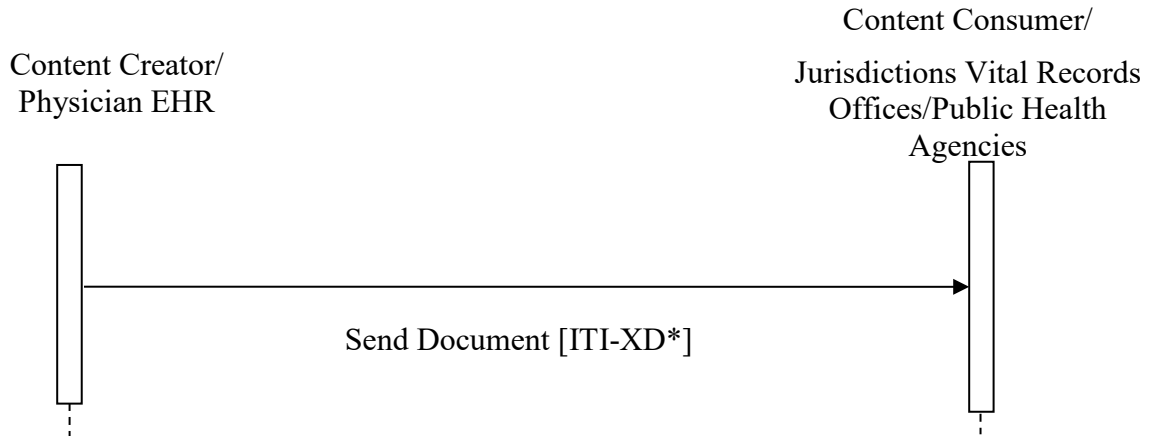
The Provider VRDR Document Submission use case creates the VRDR Document directly and transmits the information to Public Health.

X.4.2.5.1 Provider VRDR Document Submission Use Case Description

1145 When the decedent’s death has been documented in the system, the provider system creates a VRDR Document and sends the document to the EDRS directly.

X.4.2.5.2 Provider VRDR Document Submission Process Flow

The provider system sends the VRDR Document to the EDRS.



1150

Figure X.4.2.5.2-1: Use Case 5-Provider VRDR Document Submission

X.4.2.6 Use Case #6: Death Certificate COD Guidance

1155 In the Death Certificate COD Guidance use case, a SMART-on-FHIR⁵ app is available to the provider that uses EHR death reporting related information as input to an analytical engine that recommends probable sequences of events leading to the death based on the decedent’s health history; and allows the physician to complete the relevant portions of the death certificate. The completed death reporting information is sent to the EDRS where the jurisdiction completes the processing of the information with the national statistics agency.

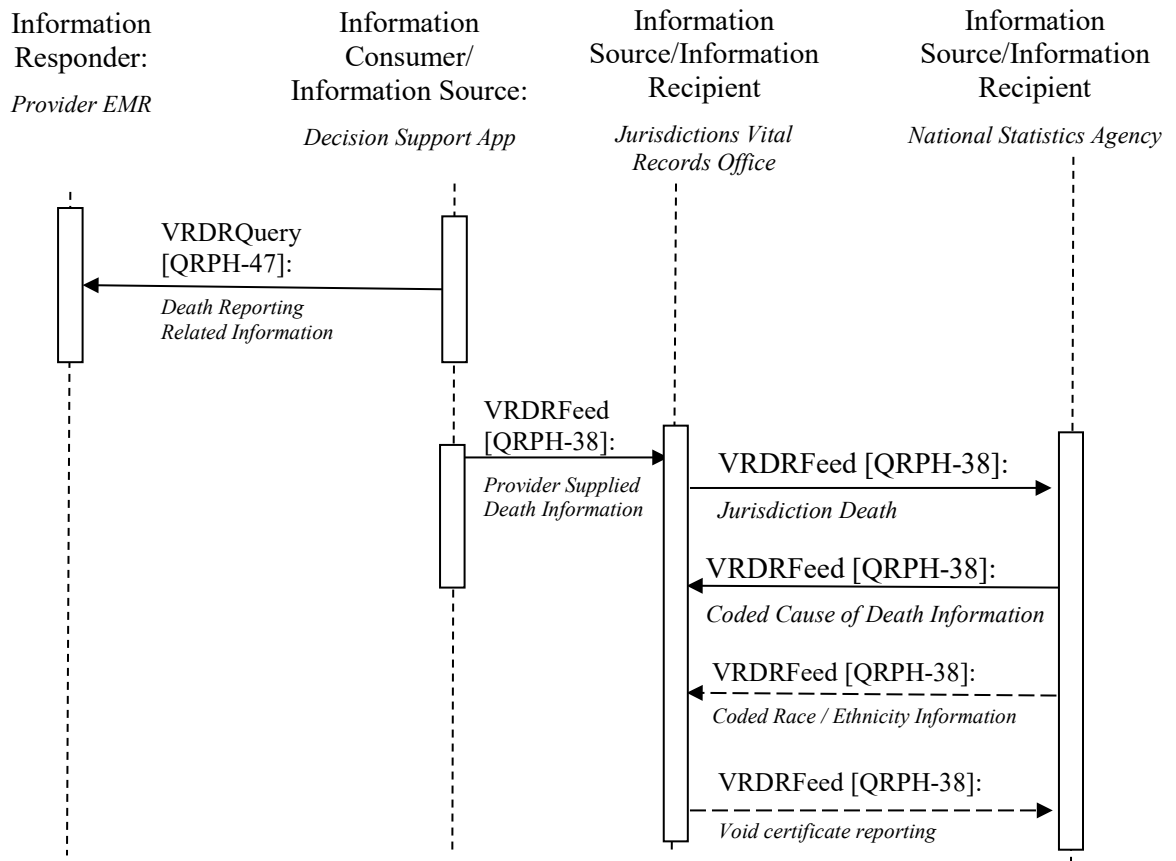
⁵ FHIR is the registered trademark of Health Level Seven International.

X.4.2.6.1 Death Certificate COD Guidance Use Case Description

- 1160 When the provider is ready to document the decedent’s death, the Death Certificate COD Guidance SMART-on-FHIR app queries the EHR using VRDRQuery (QRPH-47) to retrieve death reporting related information. This information is used by an analytical engine that recommends probable sequences of events leading to the death based on the decedent’s health history; and allows the physician to complete the relevant portions of the death certificate.
- 1165 Once the decedent’s death reporting information is documented using the app, the system, creates an HL7 VRDR message or a VRDR CDA document and sends the message to the EDRS directly. The EDRS communicates jurisdiction information to the national statistic agency where the standard coded cause of death is determined and returned to the jurisdiction.

X.4.2.6.2 Death Certificate COD Guidance Process Flow

- 1170 The SMART-on-FHIR app Death Report Data Consumer sends the VRDRQuery [QRPH-47] message to the EMR Death Report Data Responder to assist the provider in completing death reporting details. The death reporting information is sent to the jurisdiction vital records office EDRS. The jurisdiction vital records office EDRS sends jurisdiction information with narrative cause of death to the national statistics agency system where the narrative cause of death is coded
- 1175 according to standard guidance from the World Health Organization (WHO) provided in the International statistical classification of diseases and related health problems 10th Revision, Volume 2 Instruction Manual. The coded cause of death is returned to the jurisdiction vital records office EDRS. In accordance with jurisdictional requirements, Race and/or Ethnicity are also returned from the National Statistics Agency to the originating Jurisdictional vital records
- 1180 office using the Coded Race / Ethnicity message option. A Void Certificate Reporting message may be optionally sent by the jurisdictional vital records office to the national statistics agency to manage erroneous submissions.



1185

Figure X.4.2.6.2-1: Use Case 6- Death Certificate COD Guidance

X.5 VRDR Security Considerations

VRDR includes clinical content related to the information subject. As such, it is anticipated that the transfers of Personal Health Information (PHI) will be protected. The IHE ITI Audit Trail and Node Authentication (ATNA) Profile SHOULD be implemented by all of the actors involved in the IHE transactions specified in this profile to protect node-to-node communication and to produce an audit trail of the PHI related actions when they exchange messages, though other private security mechanisms MAY be used to secure content within enterprise managed systems. Details regarding ATNA logging will be further described in QRPH TF-2: 3.38.5.1. RESTful Query to ATNA should also be considered (ITI TF-2:3.81, ITI TF-2:3.82).

1190
1195

The content of the form also results in a legal document, and the Form Manager MAY include a digital signature using the IHE ITI Digital Signature (DSG) Profile to assure that the form content submitted is the same content attested to by the submitter of the filled form.

1200 The VRDR form includes signatures of the certifier and the pronouncer of death. ITI Document Digital Signature (DSG) Profile may be used to support these signatures.

1205 Similarly, the Vital Records Death Reporting (VRDR) Document (1.3.6.1.4.1.19376.1.7.3.1.1.23.1) MAY be sent with a digital signature using the IHE ITI Digital Signature (DSG) Profile. When using DSG, the following specifications apply: The eventCodeList in the Metadata for the DSG document SHOULD reflect that these certifier and pronouncer are co-authors as the signature purpose as reflected by Co-Author ID (code is 1.2.840.10065.1.12.1.2, codingScheme 1.2.840.10065.1.12). Where these two roles are the same person, the one author SHOULD be reflected by Author ID (code is 1.2.840.10065.1.12.1.1, codingScheme 1.2.840.10065.1.12).

1210 For security purposes, when sending information specifically to vital records Electronic Death Registration Systems, systems will also need to know the identity of the user and the location to identify the data source. In this case, the IHE ITI Cross-Enterprise User Assertion (XUA) Profile MAY be utilized to support this implementation.

X.6 VRDR Cross Profile Considerations

The following informative narrative is offered as implementation guidance.

1215 X.6.1 XD* – Cross Enterprise Document Sharing.b, Cross Enterprise Document Media Interchange, or Cross Enterprise Document Reliable Interchange

1220 The use of the IHE XD* family of transactions is encouraged to support standards-based interoperability between systems acting as the VRDR Content Creator and VRDR Content Consumer. However, this profile does not require any groupings with ITI XD* actors to facilitate transport of the content document it defines. Below is a summary of recommended IHE transport transactions that MAY be utilized by systems playing the roles of VRDR Content Creator or VRDR Content Consumer to support the standard use case defined in this profile:

- 1225 • A Document Source in XDS.b, a Portable Media Creator in XDM, or a Document Source in XDR might be grouped with the VRDR Content Creator. A Document Consumer in XDS.b, a Portable Media Importer in XDM, or a Document Recipient in XDR might be grouped with the VRDR Content Consumer, A registry/repository-based infrastructure is defined by the IHE Cross Enterprise Document Sharing (XDS.b) that includes profile support that can be leveraged to facilitate retrieval of public health related information from a document sharing infrastructure: Multi-Patient Query (MPQ), and Document Metadata Subscription (DSUB),
- 1230 • A reliable messaging-based infrastructure is defined by the IHE Cross Enterprise Document Reliable Interchange (XDR) Profile. Document Source in XDR might be grouped with the VRDR Content Creator. A Document Recipient in XDR might be grouped with the VRDR Content Consumer,

1235 Detailed description of these transactions can be found in the IHE IT Infrastructure Technical Framework.

X.6.2 Sharing Value Set (SVS)

1240 A VRDR Form Manager and Form Processor may support the Sharing Value Set (SVS) Profile
in order to use a common uniform managed vocabulary for dynamic management of form
mapping rules.

X.7 VRDR Data Elements

1245 This profile defines specific data elements commonly used in death reporting. Those data
elements are described in Appendix B. Jurisdictions may implement all of these or a subset of
these based on their jurisdictional requirements. The current list represents the WHO and US
National Extension requirements. This list will expand over time to encompass requirements
from additional jurisdictions.

Appendix A – Sample US Death Certificate form

1250 The sample death reporting form included in this content profile reflects much of the data captured for the [U.S. Standard Certificate of Death](#). However, the VRDR Content Profile also includes support for international death reporting requirements, including the World Health Organization (WHO) verbal autopsy instrument (<http://www.who.int/healthinfo/statistics/verbalautopsystandards/en/>).

DEATH REPORTING FOR VITAL RECORDS

1255

LOCAL FILE NO.		U.S. STANDARD CERTIFICATE OF DEATH				STATE FILE NO.			
1. DECEDENT'S LEGAL NAME (include AKA's if any) (First, Middle, Last)				2. SEX	3. SOCIAL SECURITY NUMBER				
4a. AGE-Last Birthday (Years)		4b. UNDER 1 YEAR Months Days		4c. UNDER 1 DAY Hours Minutes		5. DATE OF BIRTH (Mo/Day/Yr)		6. BIRTHPLACE (City and State or Foreign Country)	
7a. RESIDENCE-STATE			7b. COUNTY			7c. CITY OR TOWN			
7d. STREET AND NUMBER				7e. APT. NO.	7f. ZIP CODE		7g. INSIDE CITY LIMITS? <input type="checkbox"/> Yes <input type="checkbox"/> No		
8. EVER IN US ARMED FORCES? <input type="checkbox"/> Yes <input type="checkbox"/> No		9. MARITAL STATUS AT TIME OF DEATH <input type="checkbox"/> Married <input type="checkbox"/> Married, but separated <input type="checkbox"/> Widowed <input type="checkbox"/> Divorced <input type="checkbox"/> Never Married <input type="checkbox"/> Unknown			10. SURVIVING SPOUSE'S NAME (If wife, give name prior to first marriage)				
11. FATHER'S NAME (First, Middle, Last)				12. MOTHER'S NAME PRIOR TO FIRST MARRIAGE (First, Middle, Last)					
13a. INFORMANT'S NAME			13b. RELATIONSHIP TO DECEDENT			13c. MAILING ADDRESS (Street and Number, City, State, Zip Code)			
14. PLACE OF DEATH (Check only one: see instructions)									
IF DEATH OCCURRED IN A HOSPITAL: <input type="checkbox"/> Inpatient <input type="checkbox"/> Emergency Room/Outpatient <input type="checkbox"/> Dead on Arrival				IF DEATH OCCURRED SOMEWHERE OTHER THAN A HOSPITAL: <input type="checkbox"/> Hospice facility <input type="checkbox"/> Nursing home/Long term care facility <input type="checkbox"/> Decedent's home <input type="checkbox"/> Other (Specify):					
15. FACILITY NAME (if not institution, give street & number)				16. CITY OR TOWN, STATE, AND ZIP CODE			17. COUNTY OF DEATH		
18. METHOD OF DISPOSITION: <input type="checkbox"/> Burial <input type="checkbox"/> Cremation <input type="checkbox"/> Donation <input type="checkbox"/> Entombment <input type="checkbox"/> Removal from State <input type="checkbox"/> Other (Specify):				19. PLACE OF DISPOSITION (Name of cemetery, crematory, other place)					
20. LOCATION-CITY, TOWN, AND STATE				21. NAME AND COMPLETE ADDRESS OF FUNERAL FACILITY					
22. SIGNATURE OF FUNERAL SERVICE LICENSEE OR OTHER AGENT						23. LICENSE NUMBER (Of Licensee)			

To Be Completed/Verified By:
FUNERAL DIRECTOR

IHE Quality, Research and Public Health Technical Framework Supplement – Vital Records Death Reporting (VRDR)

ITEMS 24-28 MUST BE COMPLETED BY PERSON WHO PRONOUNCES OR CERTIFIES DEATH			24. DATE PRONOUNCED DEAD (Mo/Day/Yr)	25. TIME PRONOUNCED DEAD
26. SIGNATURE OF PERSON PRONOUNCING DEATH (Only when applicable)		27. LICENSE NUMBER		28. DATE SIGNED (Mo/Day/Yr)
29. ACTUAL OR PRESUMED DATE OF DEATH (Mo/Day/Yr) (Spell Month)		30. ACTUAL OR PRESUMED TIME OF DEATH		31. WAS MEDICAL EXAMINER OR CORONER CONTACTED? <input type="checkbox"/> Yes <input type="checkbox"/> No
CAUSE OF DEATH (See instructions and examples)				
<p>32. PART I. Enter the <u>chain of events</u>—diseases, injuries, or complications—that directly caused the death. DO NOT enter terminal events such as cardiac arrest, respiratory arrest, or ventricular fibrillation without showing the etiology. DO NOT ABBREVIATE. Enter only one cause on a line. Add additional lines if necessary.</p> <p>IMMEDIATE CAUSE (Final disease or condition resulting in death) → a. _____ Due to (or as a consequence of): _____</p> <p>Sequentially list conditions, if any, leading to the cause listed on line a. Enter the UNDERLYING CAUSE (disease or injury that initiated the events resulting in death) LAST</p> <p>b. _____ Due to (or as a consequence of): _____</p> <p>c. _____ Due to (or as a consequence of): _____</p> <p>d. _____</p>				Approximate interval: Onset to death _____ _____ _____
PART II. Enter other <u>significant conditions contributing to death</u> but not resulting in the underlying cause given in PART I				33. WAS AN AUTOPSY PERFORMED? <input type="checkbox"/> Yes <input type="checkbox"/> No
				34. WERE AUTOPSY FINDINGS AVAILABLE TO COMPLETE THE CAUSE OF DEATH? <input type="checkbox"/> Yes <input type="checkbox"/> No
To Be Completed By: MEDICAL CERTIFIER	35. DID TOBACCO USE CONTRIBUTE TO DEATH? <input type="checkbox"/> Yes <input type="checkbox"/> Probably <input type="checkbox"/> No <input type="checkbox"/> Unknown		36. IF FEMALE: <input type="checkbox"/> Not pregnant within past year <input type="checkbox"/> Pregnant at time of death <input type="checkbox"/> Not pregnant, but pregnant within 42 days of death <input type="checkbox"/> Not pregnant, but pregnant 43 days to 1 year before death <input type="checkbox"/> Unknown if pregnant within the past year	
	37. MANNER OF DEATH <input type="checkbox"/> Natural <input type="checkbox"/> Homicide <input type="checkbox"/> Accident <input type="checkbox"/> Pending investigation <input type="checkbox"/> Suicide <input type="checkbox"/> Could not be determined			
	38. DATE OF INJURY (Mo/Day/Yr) (Spell Month)	39. TIME OF INJURY	40. PLACE OF INJURY (e.g., Decedent's home; construction site; restaurant; wooded area)	
42. LOCATION OF INJURY: State: _____ City or Town: _____		41. INJURY AT WORK? <input type="checkbox"/> Yes <input type="checkbox"/> No		
Street & Number: _____ Apartment No.: _____ Zip Code: _____		44. IF TRANSPORTATION INJURY, SPECIFY: <input type="checkbox"/> Driver/Operator <input type="checkbox"/> Passenger <input type="checkbox"/> Pedestrian <input type="checkbox"/> Other (Specify)		
43. DESCRIBE HOW INJURY OCCURRED:				
45. CERTIFIER (Check only one): <input type="checkbox"/> Certifying physician-To the best of my knowledge, death occurred due to the cause(s) and manner stated. <input type="checkbox"/> Pronouncing & Certifying physician-To the best of my knowledge, death occurred at the time, date, and place, and due to the cause(s) and manner stated. <input type="checkbox"/> Medical Examiner/Coroner-On the basis of examination, and/or investigation, in my opinion, death occurred at the time, date, and place, and due to the cause(s) and manner stated.				
Signature of certifier: _____				
46. NAME, ADDRESS, AND ZIP CODE OF PERSON COMPLETING CAUSE OF DEATH (Item 32)				
47. TITLE OF CERTIFIER	48. LICENSE NUMBER	49. DATE CERTIFIED (Mo/Day/Yr)		50. FOR REGISTRAR ONLY- DATE FILED (Mo/Day/Yr)

IHE Quality, Research and Public Health Technical Framework Supplement – Vital Records
 Death Reporting (VRDR)

LOCAL FILE NO.		U.S. STANDARD CERTIFICATE OF DEATH				STATE FILE NO.			
1. DECEDENT'S LEGAL NAME (Include AKA's if any) (First, Middle, Last)				2. SEX	3. SOCIAL SECURITY NUMBER				
4a. AGE-Last Birthday (Years)		4b. UNDER 1 YEAR Months Days		4c. UNDER 1 DAY Hours Minutes		5. DATE OF BIRTH (Mo/Day/Yr)		6. BIRTHPLACE (City and State or Foreign Country)	
7a. RESIDENCE-STATE			7b. COUNTY			7c. CITY OR TOWN			
7d. STREET AND NUMBER				7e. APT. NO.	7f. ZIP CODE		7g. INSIDE CITY LIMITS? <input type="checkbox"/> Yes <input type="checkbox"/> No		
8. EVER IN US ARMED FORCES? <input type="checkbox"/> Yes <input type="checkbox"/> No		9. MARITAL STATUS AT TIME OF DEATH <input type="checkbox"/> Married <input type="checkbox"/> Married, but separated <input type="checkbox"/> Widowed <input type="checkbox"/> Divorced <input type="checkbox"/> Never Married <input type="checkbox"/> Unknown			10. SURVIVING SPOUSE'S NAME (If wife, give name prior to first marriage)				
11. FATHER'S NAME (First, Middle, Last)					12. MOTHER'S NAME PRIOR TO FIRST MARRIAGE (First, Middle, Last)				
13a. INFORMANT'S NAME		13b. RELATIONSHIP TO DECEDENT			13c. MAILING ADDRESS (Street and Number, City, State, Zip Code)				
14. PLACE OF DEATH (Check only one: see instructions)									
IF DEATH OCCURRED IN A HOSPITAL: <input type="checkbox"/> Inpatient <input type="checkbox"/> Emergency Room/Outpatient <input type="checkbox"/> Dead on Arrival					IF DEATH OCCURRED SOMEWHERE OTHER THAN A HOSPITAL: <input type="checkbox"/> Hospice facility <input type="checkbox"/> Nursing home/Long term care facility <input type="checkbox"/> Decedent's home <input type="checkbox"/> Other (Specify):				
15. FACILITY NAME (if not institution, give street & number)					16. CITY OR TOWN, STATE, AND ZIP CODE			17. COUNTY OF DEATH	
18. METHOD OF DISPOSITION: <input type="checkbox"/> Burial <input type="checkbox"/> Cremation <input type="checkbox"/> Donation <input type="checkbox"/> Entombment <input type="checkbox"/> Removal from State <input type="checkbox"/> Other (Specify): _____					19. PLACE OF DISPOSITION (Name of cemetery, crematory, other place)				
20. LOCATION-CITY, TOWN, AND STATE					21. NAME AND COMPLETE ADDRESS OF FUNERAL FACILITY				
22. SIGNATURE OF FUNERAL SERVICE LICENSEE OR OTHER AGENT							23. LICENSE NUMBER (Of Licensee)		

IHE Quality, Research and Public Health Technical Framework Supplement – Vital Records
 Death Reporting (VRDR)

ITEMS 24-28 MUST BE COMPLETED BY PERSON WHO PRONOUNCES OR CERTIFIES DEATH			24. DATE PRONOUNCED DEAD (Mo/Day/Yr)	25. TIME PRONOUNCED DEAD
26. SIGNATURE OF PERSON PRONOUNCING DEATH (Only when applicable)		27. LICENSE NUMBER		28. DATE SIGNED (Mo/Day/Yr)
29. ACTUAL OR PRESUMED DATE OF DEATH (Mo/Day/Yr) (Spell Month)		30. ACTUAL OR PRESUMED TIME OF DEATH		31. WAS MEDICAL EXAMINER OR CORONER CONTACTED? <input type="checkbox"/> Yes <input type="checkbox"/> No
CAUSE OF DEATH (See instructions and examples) 32. PART I. Enter the <u>chain of events</u> —diseases, injuries, or complications—that directly caused the death. DO NOT ABBREVIATE. Enter only one cause on a line. Add additional lines if necessary. IMMEDIATE CAUSE (Final disease or condition -----> resulting in death) a. _____ Due to (or as a consequence of): _____ Sequentially list conditions, if any, leading to the cause listed on line a. Enter the UNDERLYING CAUSE (disease or injury that initiated the events resulting in death) LAST b. _____ Due to (or as a consequence of): _____ c. _____ Due to (or as a consequence of): _____ d. _____				Approximate interval: Onset to death
PART II. Enter other <u>significant conditions contributing to death</u> but not resulting in the underlying cause given in PART I				33. WAS AN AUTOPSY PERFORMED? <input type="checkbox"/> Yes <input type="checkbox"/> No
				34. WERE AUTOPSY FINDINGS AVAILABLE TO COMPLETE THE CAUSE OF DEATH? <input type="checkbox"/> Yes <input type="checkbox"/> No
To Be Completed By: MEDICAL CERTIFIER	35. DID TOBACCO USE CONTRIBUTE TO DEATH? <input type="checkbox"/> Yes <input type="checkbox"/> Probably <input type="checkbox"/> No <input type="checkbox"/> Unknown		36. IF FEMALE: <input type="checkbox"/> Not pregnant within past year <input type="checkbox"/> Pregnant at time of death <input type="checkbox"/> Not pregnant, but pregnant within 42 days of death <input type="checkbox"/> Not pregnant, but pregnant 43 days to 1 year before death <input type="checkbox"/> Unknown if pregnant within the past year	
			37. MANNER OF DEATH <input type="checkbox"/> Natural <input type="checkbox"/> Homicide <input type="checkbox"/> Accident <input type="checkbox"/> Pending Investigation <input type="checkbox"/> Suicide <input type="checkbox"/> Could not be determined	
38. DATE OF INJURY (Mo/Day/Yr) (Spell Month)	39. TIME OF INJURY	40. PLACE OF INJURY (e.g., Decedent's home; construction site; restaurant; wooded area)		41. INJURY AT WORK? <input type="checkbox"/> Yes <input type="checkbox"/> No
42. LOCATION OF INJURY: State: _____ City or Town: _____ Street & Number: _____ Apartment No.: _____ Zip Code: _____				
43. DESCRIBE HOW INJURY OCCURRED:				44. IF TRANSPORTATION INJURY, SPECIFY: <input type="checkbox"/> Driver/Operator <input type="checkbox"/> Passenger <input type="checkbox"/> Pedestrian <input type="checkbox"/> Other (Specify)
45. CERTIFIER (Check only one): <input type="checkbox"/> Certifying physician-To the best of my knowledge, death occurred due to the cause(s) and manner stated. <input type="checkbox"/> Pronouncing & Certifying physician-To the best of my knowledge, death occurred at the time, date, and place, and due to the cause(s) and manner stated. <input type="checkbox"/> Medical Examiner/Coroner-On the basis of examination, and/or investigation, in my opinion, death occurred at the time, date, and place, and due to the cause(s) and manner stated. Signature of certifier: _____				
46. NAME, ADDRESS, AND ZIP CODE OF PERSON COMPLETING CAUSE OF DEATH (Item 32)				
47. TITLE OF CERTIFIER	48. LICENSE NUMBER	49. DATE CERTIFIED (Mo/Day/Yr)		50. FOR REGISTRAR ONLY- DATE FILED (Mo/Day/Yr)

1260

Appendix B – Vital Records Death Reporting (VRDR) Data Elements

1265 The following data elements are used in Vital Records Death Reporting. The data collected will vary by jurisdictional requirements, and consequently none of these attributes are explicitly required by this profile (see discussion in QRPH TF-1: X.1.1 Actor Descriptions and Actor Profile Requirements.)

Table B-1: Vital Records Death Reporting Data Elements

Attribute Name	Death Report Data Element	Description
Decedent Demographics		
DOB	Date of Birth	Calendar date when decedent was born
DETHNIC	Ethnicity of the decedent	Ethnic origin of the decedent. The primary source for this data element is the funeral director and/or next of kin. Any information for these data elements that comes from the EHR may be changed by the funeral director or next of kin. However, the EHR may also serve as a resource for documenting race and ethnicity information to inform the content of this attribute.
DECNAME	Decedent's Name Known by Certifier	Current legal name of the decedent including first name, middle name, last name, suffixes, and AKAs would be useful; however, name as known for decedent is sufficient.
FSNAME	Father's Surname	The surname of the decedent's father.
MMAIDEN	Mother's Maiden Name	The maiden name of the decedent's mother.
DRACE	Decedent's Race	Race(s) that best describes what the decedent considered himself/herself to be. The primary source for this data element is the funeral director and/or next of kin. Any information for these data elements that comes from the EHR may be changed by the funeral director or next of kin. However, the EHR may also serve as a resource for documenting race and ethnicity information to inform the content of this attribute.
DOCC	Occupation	The primary occupation of the decedent
DIND	Industry	The industry which served as the primary employer for the decedent
DEMPSTAT	Employment Status	The employment status of the decedent (e.g., employed, unemployed, student, pensioner, homemaker, etc.)
DADDR	Decedent's Residence (including city, county, state, country, inside city limits)	The address of the decedent.
SEX	Sex	The sex of the deceased.

IHE Quality, Research and Public Health Technical Framework Supplement – Vital Records
Death Reporting (VRDR)

Attribute Name	Death Report Data Element	Description
JURISID	Jurisdiction Person Identifier (e.g., Social Security Number (SSN))	The Jurisdiction Person Identifier (e.g., social security number) of the deceased.
MARITAL	Marital Status	Marital (civil) status of the decedent.
MARRIAGEDATE	Date of Marriage	Date of the Decedent's marriage to current spouse.
DEDUC	Decedent's Education	The highest education level reached by the decedent.
OCCUP	Occupation	The primary occupation of the decedent
INDUST	Industry	The industry which served as the primary employer for the decedent.
BCID	Birth certificate ID	A record of the jurisdiction identifier assigned to the birth certificate of the decedent.
BCYR	Birth certificate {birth} year	A record of the decedent's birth year as recorded on the birth certificate for the decedent. This is an item that is used for matching birth and death information.
BPLACEST	State or Province of Birth	The jurisdiction (state or province) in which the decedent's was born as recorded on the decedent's birth certificate. This value is used for matching birth and death information, and is only available if the relevant birth record has been located by the jurisdictional vital records office.
BPLACE	Birth Place	Information on the place of the decedent's birth as recorded on the death certificate.
Death Event Information		
FORMSRC	Source flag	To reflect the form in which data has been received (e.g., paper, electronic, mixed).
TOD	Patient Death Date and Time	Calendar date and time when decedent died. The Death Edit Specifications for the 2003 Revision of the U.S. Standard Certificate of Death indicates that the Time of Death (hour and minute) should be stated using a 24-hour clock.
AGED	Age at Death	A record of the decedent's age at the time of death.
CERTID	Certificate number	A record of the jurisdiction identifier assigned to the death certificate of the decedent.
DREG	Date of Death Registration	The date on which death was registered with the jurisdictional vital records office.
PD	Date and Time pronounced Dead	Month, day, year, and time decedent was pronounced dead.
COD	Cause of Death	Immediate and underlying causes of death including significant conditions or diseases, abnormalities, injuries, or poisonings that contributed directly or indirectly to death.

IHE Quality, Research and Public Health Technical Framework Supplement – Vital Records
Death Reporting (VRDR)

Attribute Name	Death Report Data Element	Description
INTERVAL	Onset to death interval for cause of death reported	Each cause of death is associated with a numeric observation – Death Cause Interval – which captures the approximate interval between the onset of the death cause (condition) and death. This linkage is implemented through the use of observation sub-id. Coded death cause information may be provided if permitted by the jurisdiction.
OTHCOD	Cause of Death - Other Significant Conditions	Descriptive text that provides information on a significant condition or conditions that contributed to death, but did not result in the underlying cause that is elsewhere described.
MANNER	Manner of Death	An item where the certifying physician, medical examiner or coroner identifies the manner or how the deceased died
AUTOP	Was an autopsy performed?	Information on whether or not an autopsy was performed
AUTOFP	Were autopsy findings available to complete the COD	Information on whether or not the findings of the autopsy were available for completing the medical portion of the death certificate
TOBAC	Did tobacco use contribute to death?	A clinical opinion on whether tobacco use contributed to the decedent's death.
DINSTI	Facility Name (Geographic location where the death occurred)	The facility name at the geographic location where the death occurred.
DSTREETADDR	Street address where death occurred if not facility	The facility name is provided when the death occurs in an institution. If not in an institution, the geographic location where the death occurred is provided including the street & number.
DISP	Method of Disposition	The method by which the decedent's body was disposed.
PREG	Female pregnancy status at time of death	Item for females that requests information on the pregnancy status of the deceased woman within the last year of her life
Injury Information		
INJLOCNAR	Injury location Narrative	The street address for the place where the injury occurred
INJDESC	Describe how the injury occurred	Information on how the injury occurred is requested in narrative form
DOI	Date of Injury	Actual or presumed date when decedent sustained injury
WORKINJ	Injury at Work	Information on whether or not an injury to the deceased indicated on the death certificate occurred at work.
TRANSPINJ	Injury leading to death associated with transportation event	A Boolean indicator (Yes/No) that tells whether the injury leading to death was associated with a transportation event.
DPLACE	Place of Death	The physical location where the decedent died (from which the Place of Death Registration can be established)
INJPL	Place of Injury	Requests information on the type of place where an injury occurred
INJLOCNAR	Injury Location Narrative	The street address for the place where the injury occurred

IHE Quality, Research and Public Health Technical Framework Supplement – Vital Records
Death Reporting (VRDR)

Attribute Name	Death Report Data Element	Description
TOI	Time of Injury	Actual or presumed time of injury. The Death Edit Specifications for the 2003 Revision of the U.S. Standard Certificate of Death indicates that the Time of Injury (hour and minute) should be stated using a 24-hour clock.
TRANSP	Transportation Injury	Information on the role of the decedent involved in a transportation accident.
COD Information		
CERTIFBY	Death Certified By	This field is valued with the person who signed the death certificate.
CERT	Death Certifier	Type of certifier
CERTADDR	Certifier Address	Address of the person completing the cause of death (item 32 on the U.S. Standard Certificate of Death)
CERTSIG	Certifier signature	Certifier's signature. Depending on jurisdictional law, the signature may be electronic approval, an approval button, or other method for indicating acceptance in place of a physical signature.
CERTDATE	Date certified	Calendar date when the death record is certified
PRONOUNCERSIGDT	Date Signed	Date the death record is signed by the person that pronounces death
CLICNUM	License Number of Person Certifying Death	License number of person certifying the cause of death.
PLICNUM	License Number of Person Pronouncing Death	License number of person pronouncing death (includes whether licensed and state determined)
NAMECOD	Name of person completing COD	Name of the person completing the cause of death
PRONOUNCERSIG	Signature of Person Pronouncing Death	The signature of the person who pronounced death and signed the death record. Depending on jurisdictional law, the signature may be electronic approval, an approval button, or other method for indicating acceptance in place of a physical signature.
CERTL	Title of Certifier	Medical professional label used to signify a professional role or membership in a professional society
REF	Was Medical Examiner or Coroner contacted?	Item records whether [or not] the medical examiner or coroner was contacted in reference to this case
DOR	Date of Registration--Year Date of Registration--Month Date of Registration--Day	The date on which death was registered with the jurisdictional vital records office.
MEDDX	Medical Diagnoses Associated with Final Illness	Support for jurisdictions that capture Medical Diagnoses associated with the final illness leading to death (e.g., WHO verbal autopsy report: tuberculosis, Denge Fever, HIV/AIDS, etc.),
MEDRESULT	Medical Results Associated with Final Illness	Support for jurisdictions that capture Medical Results associated with the final illness leading (e.g., WHO verbal autopsy report: positive Malaria Results, etc.),

IHE Quality, Research and Public Health Technical Framework Supplement – Vital Records
Death Reporting (VRDR)

Attribute Name	Death Report Data Element	Description
MEDPROC	Medical Procedure Associated with Final Illness	Support for jurisdictions that capture Medical Procedures associated with the final illness leading (e.g., WHO verbal autopsy report: Hysterectomy, Cesarean, etc.),
PLANG	Primary Language	Support for WHO that collects the Language of the deceased.

1270

Volume 2 – Transactions

Add Section 3.38

3.38 VRDRFeed [QRPH-38]

3.38.1 Scope

1275 This transaction is used to communicate clinician-sourced death information from the Information Source to the Information Recipient. This transaction may alternatively be initiated by a Form Receiver Message Exporter or a Form Processor Message Exporter and communicated to the Information Recipient. This transaction uses the *Health Level Seven International (HL7) HL7 Version 2.6 Implementation Guide: Reporting Death Information from the EHR to Vital Records, R1.2*.

1280 3.38.2 Actor Roles

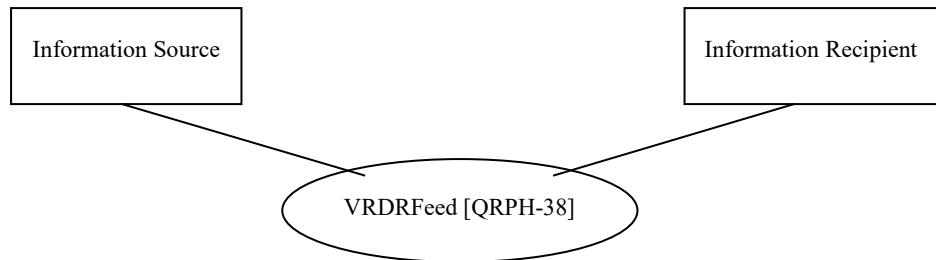
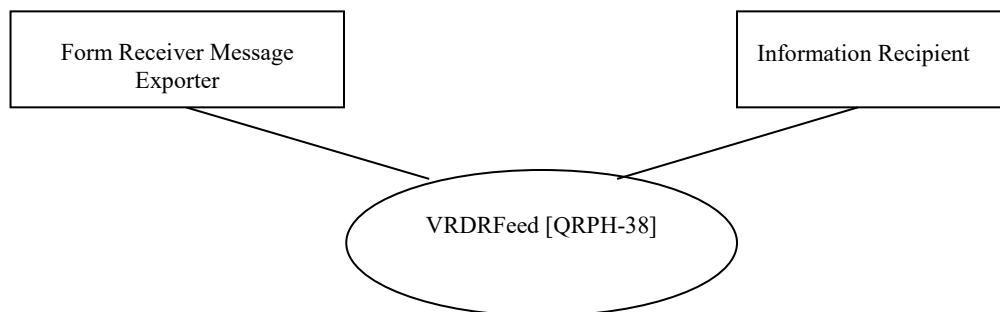


Figure 3.38.2-1: Use Case Diagram between Information Source and Information Recipient



1285

Figure 3.38.2-2: Use Case Diagram between Form Receiver Message Exporter and Information Recipient

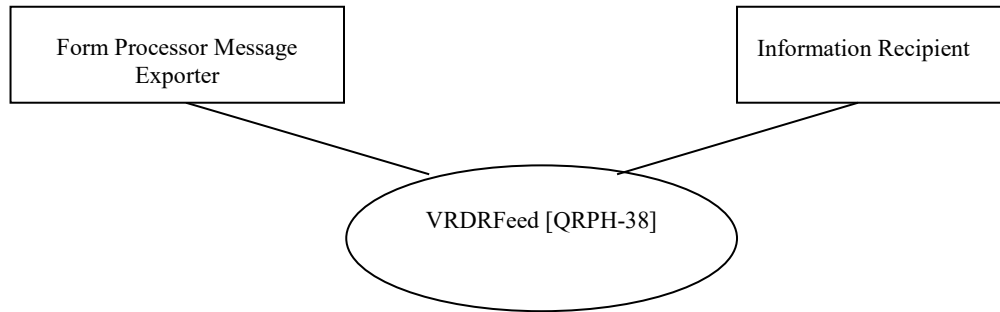


Figure 3.38.2-3: Use Case Diagram between Form Processor Message Exporter and Information Recipient

1290

Table 3.38.2-1: Actor Roles

Actor:	Information Source
Role:	The Information Source is responsible for creating and transmitting an HL7 V2.6 message to an Information Recipient.
Actor:	Information Recipient
Role:	The Information Recipient is responsible for receiving the HL7 V2.6 message from an Information Source, from a Form Receiver Message Exporter, or from a Form Processor Message Exporter.
Actor:	Form Receiver Message Exporter
Role:	This Form Receiver Message Exporter receives data submitted through the Submit Form Transaction [ITI-35], transforms that data to be in compliance with the requirements of the HL7 V.2.6 VRDR transaction [QRPH-38] and sends that data to an Information Recipient.
Actor:	Form Processor Message Exporter
Role:	This Form Processor Message Exporter receives data submitted through the Submit Form Transaction [ITI-35], transforms that data to be in compliance with the requirements of the HL7 V.2.6 VRDR transaction [QRPH-38] and sends that data to an Information Recipient.

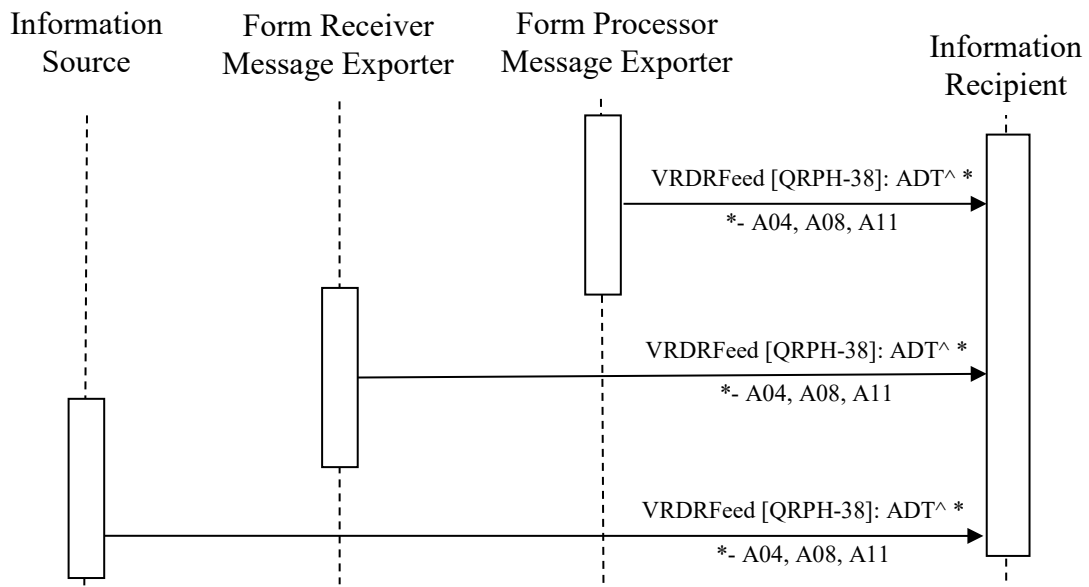
3.38.3 Referenced Standards

1. HL7 Version 2.6 Implementation Guide: Reporting Death Information from the EHR to Vital Records, R1.2 (Further referred to in this profile as ‘HL7 VRDR V2.6 IG’), focused on the following use cases:
 - Provider Supplied Death Information Messaging

1295

- Jurisdiction Death Information Messaging
 - Void Certificate Reporting Messaging
- 1300
- Coded Cause of Death Messaging
 - Coded Race / Ethnicity Messaging
2. [Edit Specifications for the 2003 Revision of the U.S. Standard Certificate of Death](#)
 3. [U.S. Standard Certificate of Death](#)
 4. [International Classification of Diseases, Tenth Revision \(ICD-10\)](#)
- 1305
5. [The 2014 WHO verbal autopsy instrument](#)
 6. [WHO Nomenclature Regulations](#)
 7. [International statistical classification of diseases and related health problems 10th Revision, Volume 2 Instruction Manual](#)
 - a. Section 4.1.2 The international death certificate
- 1310
- b. Section 7.1 form 7.1.1 International form of medical certificate of cause of death

3.38.4 Interaction Diagram



3.38.4.1 VRDRFeed message

1315 This transaction transmits the HL7 V2.6 ADT messages containing the clinician-sourced death information from Information Source, the Form Receiver Message Exporter, or the Form Processor Message Exporter to the Information Recipient. An Information Recipient SHALL be able to receive this transaction from multiple sources.

3.38.4.1.1 Trigger Events

1320 An Information Source, a Form Receiver Message Exporter, or a Form Processor Message Exporter shall trigger an **ADT^A04** – Report Death Information Record message after the decedent’s death has been documented in the system

- transmitting the Coded Cause of Death or the Coded Race / Ethnicity from the national statistics agency to the Jurisdictional vital records office.

1325 An Information Source, a Form Receiver Message Exporter, or a Form Processor Message Exporter shall trigger an **ADT^A08**– Revise Death Information Record message after changes are made to:

- patient demographics (e.g., change in patient name, patient address, etc.),
- death information (e.g., cause of death, autopsy, injury)
- the Coded Cause of Death

1330 • the Coded Race and Ethnicity

An Information Source, a Form Receiver Message Exporter, or a Form Processor Message Exporter shall trigger an **ADT^A011**– Cancel Admit/Visit Notification after that actor cancels:

- Provider Supplied Death Information
- Jurisdiction Death Information
- 1335 • Void Certificate
- Coded Cause of Death Report
- Coded Race
- Jurisdiction Death Information

3.38.4.1.2 Message Semantics

1340 The VRDRfeed are ADT messages that conform to the HL7 VRDR v2.6 IG message profile use cases. The semantics of the ADT messages sent by the Information Source, a Form Receiver Message Exporter, or a Form Processor Message Exporter may vary depending on the option(s) supported by those actors; see Table 3.38.4.1.2-1.

1345 Information Source, Form Receiver Message Exporter, and Form Processor Message Exporter Actors supporting one or more option shall send ADT messages that conform to the message

profile identified in Table 3.38.4.1.2-1 AND as further constrained in Table 3.38.4.1.2-2. In column 2 below, the value in parentheses identifies the abbreviations used in the optionality column in Table 3.38.4.1.2-2.

1350 The ADT^A04 (Register a Patient) message is constrained for the first transmission of information about a person’s death within the context of a particular use case. The ADT^A08 (Update Patient Information) message is constrained for updating previously transmitted information. Since the segment pattern of the message does not change even though it responds to a different trigger event, the message semantics in the table are the same for both message types. The ADT^A11 has no further constraints to the underlying standard.

1355 **Table 3.38.4.1.2-1: Actor Options Mapped to HL7 message Profile Use Cases**

IHE VRDR Actors	IHE VRDR Profile Option	HL7 VRDR V2.6 IG Message Profile Use Case
Information Source Form Receiver Message Exporter Form Processor Message Exporter Information Recipient	Provider Supplied Death Information Option (PSDI)	Provider Supplied Death Information Messaging
Information Source Form Receiver Message Exporter Form Processor Message Exporter Information Recipient	Jurisdiction Death Information Option (JDI)	Jurisdiction Death Information Messaging
Information Source Information Recipient	Void Certificate Reporting (JDI-VOID)	VOID Certificate Reporting Messaging
Information Source Information Recipient	Coded Cause of Death Option (CCOD)	Coded Cause of Death Messaging
Information Source Information Recipient	Coded Race/ Ethnicity Option (CREI)	Coded Race/Ethnicity Messaging

Optionality for segments in the ADT message is defined in Table 3.38.4.1.2-2. Note that this table and the sub-sections for each segment contain some IHE constraints on the underlying HL7 VRDR V2.6 IG.

1360 RE+ and O+ indicate that there is an IHE extension to the HL7 VRDR V2.6 IG Message Profile Use Cases.

Table 3.38.4.1.2-2: VRDRFeed Constraints on the HL7 VRDR V2.6 IG Message Profile Use Cases

Segment	Name	Segment repeat-able (Y/N)	Optionality					See Section
			PSDI	JDI	JDI-VOID	CCOD	CREI	
MSH	Message Header	N	R	R	R	R	R	3.38.4.1.2.1
SFT	Software Segment	Y	O	O	O	O	O	3.38.4.1.2.2
UAC	User Authentication Credential	Y	O	O	O	O	O	3.38.4.1.2.3
EVN	Event Type	N	R	R	R	R	R	3.38.4.1.2.4
PID	Patient Identification	N	R	R	R	R	R	3.38.4.1.2.5
PD1	Additional Demographics	N	O	O	O	O	O	3.38.4.1.2.6
ROL	Role	Y	O	O	O	O	O	3.38.4.1.2.24
NK1	Next of Kin/Associated Parties	Y	O	O	O	O	O	3.38.4.1.2.7
PV1	Patient Visit Information	N	R	R	R	R	R	3.38.4.1.2.8
PV2	Patient Visit – Additional Information	N	O	O	O	O	O	3.38.4.1.2.9
ROL	Role	Y	O	O	O	O	O	3.38.4.1.2.24
DB1	Disability Information	Y	O	O	O	O	O	3.38.4.1.2.10
OBX	Observation/Result	Y	R	R	O	R	R	3.38.4.1.2.11
AL1	Allergy Information	Y	O	O	O	O	O	3.38.4.1.2.12
DG1	Diagnosis Information	Y	RE+	RE+	O	O	O	3.38.4.1.2.13
DRG	Diagnosis Related Group	N	O	O	O	O	O	3.38.4.1.2.14
[{	Procedure Begin	Y						
PR1	Procedure	N	RE+	RE+	O	O	O	3.38.4.1.2.15
ROL	Role	Y	O	O	O	O	O	3.38.4.1.2.24
}]	Procedure End	N/A						
GT1	Guarantor	Y	O	O	O	O	O	3.38.4.1.2.16
[{	Insurance Begin	Y						
IN1	Insurance	N	O	O	O	O	O	3.38.4.1.2.17
IN2	Insurance Additional Info.	N	O	O	O	O	O	3.38.4.1.2.18

Segment	Name	Segment repeat-able (Y/N)	Optionality					See Section
			PSDI	JDI	JDI-VOID	CCOD	CREI	
IN3	Insurance Additional Info – Cert.	Y	O	O	O	O	O	3.38.4.1.2.19
ROL	Role	Y	O	O	O	O	O	3.38.4.1.2.24
}]	<i>Insurance End</i>	N/A						
ACC	Accident Information	N	RE+	RE+	O	O	O	3.38.4.1.2.20
UB1	Universal Bill Information	N	O	O	O	O	O	3.38.4.1.2.21
UB2	Universal Bill 92 Information	N	O	O	O	O	O	3.38.4.1.2.22
PDA	Patient Death and Autopsy	N	R	R	O	O	O	3.38.4.1.2.23

1365

3.38.4.1.2.1 MSH Segment

The MSH segment shall be constructed as defined in Chapter 6.1 of the HL7 VRDR V2.6 IG.

3.38.4.1.2.2 SFT Segment

1370 No further constraints are required of the SFT segment from the corresponding HL7 message (Health Level Seven International (HL7) HL7 Version 2.6 Implementation Guide: Reporting Death Information from the EHR to Vital Records, R1.2).

3.38.4.1.2.3 UAC Segment

1375 No further constraints are required of the UAC segment from the corresponding HL7 message (Health Level Seven International (HL7) HL7 Version 2.6 Implementation Guide: Reporting Death Information from the EHR to Vital Records, R1.2).

3.38.4.1.2.4 EVN Segment

The EVN segment shall be constructed as defined in Chapter 6.4 of the HL7 message (Health Level Seven International (HL7) HL7 Version 2.6 Implementation Guide: Reporting Death Information from the EHR to Vital Records, R1.2).

1380 3.38.4.1.2.5 PID Segment

Note: The attributes constrained may be used for patient matching in environments that leverage patient identity linking services such as the IHE ITI Patient Identifier Cross-Referencing (PIX) Profile.

1385 **Bolded text highlights areas that are different from the underlying HL7 message (Health Level Seven International (HL7) HL7 Version 2.6 Implementation Guide: Reporting Death Information from the EHR to Vital Records, R1.2.**

Table 3.38.4.1.2.5-1: IHE Profile - PID segment

SEQ	LEN	DT	OPT					TBL#	ITEM#	ELEMENT NAME	Description/ Comments
			PSDI	JDI	JDI - VOID	CCOD	CREI				
1	4	SI	R	R	R	R	R		00104	Set ID - Patient ID	A number which identifies the occurrence of the PID segment within the transaction. PID.1 (Set ID - PID) SHALL be valued with the constant value '1'.
2	20	CX	X	X	X	X	X		00105	Patient ID	Deprecated as of HL7 Version 2.3.1. See PID-3 Patient Identifier List.
3	250	CX	R	R	R	R	R		00106	Patient Identifier List	Field used to convey all types of patient/person identifiers. It is expected that the National ID (e.g., Social Security Number) will be provided if it is available. This field is also used to support identifiers for the death certificate. If the National ID cannot be included, one of the following null flavor values should be used: "NA" should be used when there is no National ID, as in non- citizens, and newborns. "UNK" should be used when the National ID is unknown and the informant cannot provide it, as in reporting the death of an unidentified person.

IHE Quality, Research and Public Health Technical Framework Supplement – Vital Records Death Reporting (VRDR)

SEQ	LEN	DT	OPT					TBL#	ITEM#	ELEMENT NAME	Description/ Comments
			PSDI	JDI	JDI – VOID	CCOD	CREI				
										<p>“OTH” should be used when a National ID was provided and later determined to be not valid</p> <p>Constrained for WHO support PID.3.5 (Identifier Type Code) shall be valued with one of the following values: ‘SS’ for Social Security Number, ‘DC’ for Death Certificate ID, ‘DCFN’ for Death Certificate File Number or ‘NI’ for National Unique Individual Identifier, unless otherwise constrained by national extension.</p>	
4	20	CX	X	X	X	X	X		00107	Alternate Patient ID	Deprecated as of HL7 Version 2.3.1. See PID-3.
5	250	XPN	R	R	R	R	R		00108	Patient Name	<p>Patient name. When the name of the patient is not known, a value must still be placed in this field since the field is required. In that case, HL7 recommends the following: [~~~~~U]. The "U" for the name type code in the second name indicates that it is unspecified. Since there may be no name components populated, this means there is no legal name, nor is there an alias. This guide will interpret this sequence to mean there is no patient name.</p>

IHE Quality, Research and Public Health Technical Framework Supplement – Vital Records Death Reporting (VRDR)

SEQ	LEN	DT	OPT					TBL#	ITEM#	ELEMENT NAME	Description/ Comments
			PSDI	JDI	JDI – VOID	CCOD	CREI				
6	250	XPN	RE+	RE+	O	O	O		00109	Mother's Maiden Name	Not supported in IG, and Optional in PIX. Needed for the WHO form, but may be further constrained by national extension. When the attribute is populated, the VRDR Information Recipient shall either accept this information or ignore the attribute, but SHALL NOT raise an application error
7	24	DTM_D	RE	RE	O	O	O		00110	Date/Time of Birth	If the birth information is not known, leave the field empty.
8	1	IS	RE	RE	RE	RE	RE	0001	00111	Administrative Sex	Patient's sex.
9	250	XPN	X	X	X	X	X		00112	Patient Alias	Deprecated as of HL7 Version 2.4. See PID-5 Patient Name.
10	705	CWE	O	R	O	O	R	0005	00113	Race	Race information for the decedent. NOTE: In some jurisdictions, it is prohibited to send race and/or ethnicity, and may be further constrained by national extension.
11	250	XAD_D	R	R	O	O	O		00114	Patient Address	Street address, city, state and zip code elements of Patient Address SHOULD be included.
12	4	IS	X	X	X	X	X	0289	00115	County Code	Deprecated as of HL7 Version 2.3. See PID-11 - Patient Address, component 9 County/Parish Code.
13	250	XTN	O	O	O	O	O		00116	Phone Number – Home	

IHE Quality, Research and Public Health Technical Framework Supplement – Vital Records Death Reporting (VRDR)

SEQ	LEN	DT	OPT					TBL#	ITEM#	ELEMENT NAME	Description/ Comments
			PSDI	JDI	JDI – VOID	CCOD	CREI				
14	250	XTN	O	O	O	O	O		00117	Phone Number - Business	
15	705	CWE	RE+	RE+	O	O	O	0296	00118	Primary Language	Needed for the WHO form to express the ability to read and write, but may be further constrained by national extension. When the attribute is populated, the VRDR Information receiver shall either accept this information or ignore the attribute, but SHALL NOT raise an application error
16	705	CWE	O	RE	O	O	O	0002	00119	Marital Status	Marital (civil) status of the decedent.
17	705	CWE	O	O	O	O	O	0006	00120	Religion	
18	250	CX	O+	O+	O+	O+	O+		00121	Patient Account Number	Not supported in IG, but Optional in PIX When the attribute is populated, the VRDR Information receiver shall either accept this information or ignore the attribute, but SHALL NOT raise an application error
19	16	ST	X	X	X	X	X		00122	SSN Number – Patient	Deprecated as of HL7 Version 2.3.1. See PID-3 Patient Identifier List.
20	25	DLN	X	X	X	X	X		00123	Driver's License Number - Patient	Deprecated as of HL7 Version 2.5. See PID-3 Patient Identifier List.
21	250	CX	O	O	O	O	O		00124	Mother's Identifier	
22	705	CWE	O	R	O	O	R	0189	00125	Ethnic Group	Information regarding the Ethnic origin of the decedent. NOTE: In some jurisdictions, it is prohibited to send race and/or ethnicity, and

IHE Quality, Research and Public Health Technical Framework Supplement – Vital Records Death Reporting (VRDR)

SEQ	LEN	DT	OPT					TBL#	ITEM#	ELEMENT NAME	Description/ Comments
			PSDI	JDI	JDI – VOID	CCOD	CREI				
											may be further constrained by national extension.
23	250	ST	RE+	RE+	O	O	O		00126	Birth Place	Needed for the WHO form, but may be further constrained by national extension.
24	1	ID	O	O	O	O	O	0136	00127	Multiple Birth Indicator	
25	2	NM	O	O	O	O	O		00128	Birth Order	
26	705	CWE	RE+	RE+	O	O	O	0171	00129	Citizenship	Needed for the WHO form to reflect nationality, but may be further constrained by national extension
27	705	CWE	O	O	O	O	O	0172	00130	Veterans Military Status	
28	705	CWE	X	X	X	X	X	0212	00739	Nationality	Deprecated as of HL7 Version 2.4. See PID-10 Race, PID-22 Ethnic Group, and PID-26 Citizenship.
29	24	DTM_Y DR	R	R	O	R	R		00740	Patient Death Date and Time	At least a year must be provided, even if the date is not known with certainty.
30	1	ID	R	R	O	R	R	0136	00741	Patient Death Indicator	The patient is known to be dead. PID.30 (Patient Death Indicator) SHALL BE valued 'Y'
31			O	O	O	O	O			Identity Unknown Indicator	
32			O	O	O	O	O			Identity Reliability Code	

IHE Quality, Research and Public Health Technical Framework Supplement – Vital Records Death Reporting (VRDR)

SEQ	LEN	DT	OPT					TBL#	ITEM#	ELEMENT NAME	Description/ Comments
			PSDI	JDI	JDI – VOID	CCOD	CREI				
33			O	O	O	O	O			Last Update Date/Time	
34			O	O	O	O	O			Last Update Facility	
35			O	O	O	O	O			Species Code	
36			O	O	O	O	O			Breed Code	
37			O	O	O	O	O			Strain	
38			O	O	O	O	O			Production Class Code	
39			O	O	O	O	O			Tribal Citizenship	

3.38.4.1.2.6 PD1 Segment

1390 No further constraints are required of the PD1 segment from the corresponding HL7 message (Health Level Seven International (HL7) HL7 Version 2.6 Implementation Guide: Reporting Death Information from the EHR to Vital Records, R1.2).

3.38.4.1.2.7 NK1 Segment

1395 No further constraints are required of the NK1 segment from the corresponding HL7 message (Health Level Seven International (HL7) HL7 Version 2.6 Implementation Guide: Reporting Death Information from the EHR to Vital Records, R1.2).

3.38.4.1.2.8 PV1 Segment

The PV1 segment shall be constructed as defined in Chapter 6.6 of the HL7 message (HL7 Version 2.6 Implementation Guide: Vital Records Death Reporting, STU Release 2 - US Realm).

1400 3.38.4.1.2.9 PV2 Segment

No further constraints are required of the PV2 segment from the corresponding HL7 message (Health Level Seven International (HL7) HL7 Version 2.6 Implementation Guide: Reporting Death Information from the EHR to Vital Records, R1.2).

3.38.4.1.2.10 DB1 Segment

1405 No further constraints are required of the DB1 segment from the corresponding HL7 message (Health Level Seven International (HL7) HL7 Version 2.6 Implementation Guide: Reporting Death Information from the EHR to Vital Records, R1.2).

3.38.4.1.2.11 OBX Segment

1410 The OBX segment shall be constructed as defined in Chapter 6.7 of the HL7 message (Health Level Seven International (HL7) HL7 Version 2.6 Implementation Guide: Reporting Death Information from the EHR to Vital Records, R1.2).

The OBX segment SHOULD additionally include:

- Coded Results and associated result date/times for test results leading up to the death (e.g., Malaria test results)
- 1415
- Additional test results of interest and timeframes may be further specified by National Extension.

1420 The Information Source, the Form Receiver Message Exporter, or the Form Processor Message Exporter may populate the following attributes using value sets other than those defined by the HL7 message (Health Level Seven International (HL7) HL7 Version 2.6 Implementation Guide: Reporting Death Information from the EHR to Vital Records, R1.2):

- Marital Status
- Education
- Race
- Ethnicity

1425 **3.38.4.1.2.12 AL1 Segment**

No further constraints are required of the AL1 segment from the corresponding HL7 message (Health Level Seven International (HL7) HL7 Version 2.6 Implementation Guide: Reporting Death Information from the EHR to Vital Records, R1.2).

3.38.4.1.2.13 DG1 Segment

1430 The Information Source, the Form Receiver Message Exporter, and the Form Processor Message Exporter SHOULD populate the DG1 segment with the diagnoses and problems leading up to the death. Additional problems of interest and timeframes may be further specified by National Extension.

1435 No further constraints are required of the DG1 segment from the corresponding HL7 message (Health Level Seven International (HL7) HL7 Version 2.6 Implementation Guide: Reporting Death Information from the EHR to Vital Records, R1.2).

3.38.4.1.2.14 DRG Segment

1440 No further constraints are required of the DRG segment from the corresponding HL7 message (Health Level Seven International (HL7) HL7 Version 2.6 Implementation Guide: Reporting Death Information from the EHR to Vital Records, R1.2).

3.38.4.1.2.15 PR1 Segment

1445 The Information Source, the Form Receiver Message Exporter, and the Form Processor Message Exporter SHOULD populate PR1 segment with additional procedures performed leading up to the death. Additional procedures of interest and timeframes may be further specified by National Extension.

No further constraints are required of the PR1 segment from the corresponding HL7 message (Health Level Seven International (HL7) HL7 Version 2.6 Implementation Guide: Reporting Death Information from the EHR to Vital Records, R1.2).

3.38.4.1.2.16 GT1 Segment

1450 No further constraints are required of the GT1 segment from the corresponding HL7 message (Health Level Seven International (HL7) HL7 Version 2.6 Implementation Guide: Reporting Death Information from the EHR to Vital Records, R1.2).

3.38.4.1.2.17 IN1 Segment

1455 No further constraints are required of the IN1 segment from the corresponding HL7 message (Health Level Seven International (HL7) HL7 Version 2.6 Implementation Guide: Reporting Death Information from the EHR to Vital Records, R1.2).

3.38.4.1.2.18 IN2 Segment

1460 No further constraints are required of the IN2 segment from the corresponding HL7 message (Health Level Seven International (HL7) HL7 Version 2.6 Implementation Guide: Reporting Death Information from the EHR to Vital Records, R1.2).

3.38.4.1.2.19 IN3 Segment

No further constraints are required of the IN3 segment from the corresponding HL7 message (Health Level Seven International (HL7) HL7 Version 2.6 Implementation Guide: Reporting Death Information from the EHR to Vital Records, R1.2).

1465 3.38.4.1.2.20 ACC Segment

The Information Source, the Form Receiver Message Exporter, and the Form Processor Message Exporter SHOULD populate the ACC segment with accident information related to the death. Additional accident information of interest and timeframes may be further specified by National Extension.

1470 No further constraints are required of the ACC segment from the corresponding HL7 message (Health Level Seven International (HL7) HL7 Version 2.6 Implementation Guide: Reporting Death Information from the EHR to Vital Records, R1.2).

3.38.4.1.2.21 UB1 Segment

1475 No further constraints are required of the UB1 segment from the corresponding HL7 message (Health Level Seven International (HL7) HL7 Version 2.6 Implementation Guide: Reporting Death Information from the EHR to Vital Records, R1.2).

3.38.4.1.2.22 UB2 Segment

1480 No further constraints are required of the UB2 segment from the corresponding HL7 message (Health Level Seven International (HL7) HL7 Version 2.6 Implementation Guide: Reporting Death Information from the EHR to Vital Records, R1.2).

3.38.4.1.2.23 PDA Segment

The PDA segment shall be constructed as defined in Chapter 6.8 of the HL7 message (HL7 Version 2.6 Implementation Guide: Vital Records Death Reporting, STU Release 2 - US Realm).

3.38.4.1.2.24 ROL Segment

1485 No further constraints are required of the ROL segment from the corresponding HL7 message (Health Level Seven International (HL7) HL7 Version 2.6 Implementation Guide: Reporting Death Information from the EHR to Vital Records, R1.2).

3.38.4.1.3 Expected Actions

1490 An Information Recipient SHALL accept all message segments defined in Section 3.38.4.1.2 Message Semantics and shall respond with an ACK message as defined in Section 3.38.4.1.4.

3.38.4.1.3.1 Provider Supplied Death Information Option

An Information Recipient supporting the Provider Supplied Death Information Option SHALL receive and record the content of the VRDRFeed message sent by an Information Source, a Form Receiver Message Exporter, or a Form Processor Message Exporter implementing this Option.

3.38.4.1.3.2 Jurisdiction Death Information Option

1495 An Information Recipient supporting the Jurisdiction Death Information Option SHALL receive and record the content of the VRDRFeed message sent by an Information Source, a Form Receiver Message Exporter, or a Form Processor Message Exporter implementing this Option.

3.38.4.1.3.3 Void Certificate Reporting Option

1500 An Information Recipient supporting the Void Certificate Reporting Option SHALL receive and void the record identified by the content of the VRDRFeed message sent by an Information Source implementing this Option.

3.38.4.1.3.4 Coded Cause of Death Option

1505 An Information Recipient supporting the Coded Cause of Death Option SHALL receive and record the coded cause of death identified by the content of the VRDRFeed message sent by an Information Source implementing this Option.

3.38.4.1.3.5 Coded Race / Ethnicity Option

1510 An Information Recipient supporting the Coded Race and Ethnicity Option SHALL receive and record the race and/or ethnicity identified by the content of the VRDRFeed message sent by an Information Source implementing this Option.

Note: some jurisdictions prohibit the transmission of race and/or ethnicity. These constraints may be further specified by national extension.

3.38.4.1.4 ACK

1515 The Information Recipient SHALL send an acknowledgement according to the requirements of the (HL7) Version 2.6 Implementation Guide: Reporting Death Information from the EHR to

Vital Records, R1.2, as indicated by the header attributes of the Information Sender, a Form Receiver Message Exporter, or a Form Processor Message Exporter in MSH-15, MSH-16, and MSH-21 (see the HL7 VRDR V2.6 IG, section 3.4 Acknowledgement profiles)

3.38.5 Security Considerations

1520 3.38.5.1 Security Audit Considerations – VRDRFeed [QRPH-38] (ADT)

The [QRPH-38] ADT messages are audited as “PHI Export” events, as defined in ITI TF-2a: Table 3.20.4.1.1.1-1. The following tables show items that are required to be part of the audit record for these specific VRDRFeed transactions.

3.38.5.1.1 Information Source Actor audit message:

	Field Name	Opt	Value Constraints
Event AuditMessage/ EventIdentification	EventID	M	EV(110106, DCM, “Export”)
	EventActionCode	M	“C” (create) for QRPH-38 (A04) “U” (update) for QRPH-38 (A08, A11)
	EventDateTime	M	<i>not specialized</i>
	EventOutcomeIndicator	M	<i>not specialized</i>
	EventTypeCode	M	EV(“QRPH-38”, “IHE Transactions”, “VRDRFeed”)
Source (Information Source Actor) (1)			
Human Requestor (0..n)			
Destination (Information Recipient Actor) (1)			
Audit Source (Information Source Actor) (1)			
Patient (1)			

1525 Where:

Source AuditMessage/ ActiveParticipant	UserID	M	The identity of the Information Source facility and sending application from the HL7 message; concatenated together, separated by the character.
	AlternativeUserID	M	The process ID as used within the local operating system in the local system logs.
	UserName	U	<i>not specialized</i>
	UserIsRequestor	M	<i>not specialized</i>
	RoleIDCode	M	EV(110153, DCM, “Source”)
	NetworkAccessPointTypeCode	M	“1” for machine (DNS) name, “2” for IP address
	NetworkAccessPointID	M	The machine name or IP address

IHE Quality, Research and Public Health Technical Framework Supplement – Vital Records
 Death Reporting (VRDR)

Human Requestor (if known) AuditMessage/ ActiveParticipant	UserID	M	Identity of the human that initiated the transaction.
	AlternativeUserID	U	<i>not specialized</i>
	UserName	U	<i>not specialized</i>
	UserIsRequestor	M	<i>not specialized</i>
	RoleIDCode	U	Access Control role(s) the user holds that allows this transaction.
	NetworkAccessPointTypeCode	NA	
	NetworkAccessPointID	NA	

Destination AuditMessage/ ActiveParticipant	UserID	M	The identity of the Information Recipient Public Health Organization and receiving application from the HL7 message; concatenated together, separated by the character.
	AlternativeUserID	M	<i>not specialized</i>
	UserName	U	<i>not specialized</i>
	UserIsRequestor	M	<i>not specialized</i>
	RoleIDCode	M	EV(110152, DCM, "Destination")
	NetworkAccessPointTypeCode	M	"1" for machine (DNS) name, "2" for IP address
	NetworkAccessPointID	M	The machine name or IP address, as specified in RFC 3881.

Audit Source AuditMessage/ AuditSourceIdentification	AuditSourceID	U	<i>not specialized</i>
	AuditEnterpriseSiteID	U	<i>not specialized</i>
	AuditSourceTypeCode	U	<i>not specialized</i>

Patient (AuditMessage/ ParticipantObjectIdentification)	ParticipantObjectTypeCode	M	"1" (person)
--	---------------------------	---	--------------

IHE Quality, Research and Public Health Technical Framework Supplement – Vital Records
Death Reporting (VRDR)

	ParticipantObjectTypeCodeRole	M	“1” (patient)
	ParticipantObjectDataLifeCycle	U	<i>not specialized</i>
	ParticipantObjectIDTypeCode	M	EV(2, RFC-3881, “Patient Number”)
	ParticipantObjectSensitivity	U	<i>not specialized</i>
	ParticipantObjectID	M	The patient ID in HL7 CX format.
	ParticipantObjectName	U	<i>not specialized</i>
	ParticipantObjectQuery	U	<i>not specialized</i>
	ParticipantObjectDetail	M	Type=MSH-10 (the literal string), Value=the value of MSH-10 (from the message content, base64 encoded)

1530 **3.38.5.1.2 Information Recipient Actor audit message:**

	Field Name	Opt	Value Constraints
Event AuditMessage/ EventIdentification	EventID	M	EV(110107, DCM, “Import”)
	EventActionCode	M	“C” (create) for QRPH-38 (A04) “U” (update) for QRPH-38 (A08, A11)
	EventDateTime	M	<i>not specialized</i>
	EventOutcomeIndicator	M	<i>not specialized</i>
	EventTypeCode	M	EV(“QRPH-38”, “IHE Transactions”, “VRDRFeed”)
Source (Information Source Actor) (1)			
Destination (Information Recipient Actor) (1)			
Audit Source (Information Recipient Actor) (1)			
Patient(1)			

Where:

Source AuditMessage/ ActiveParticipant	UserID	M	The identity of the Information Source facility and sending application from the HL7 message; concatenated together, separated by the character.
	AlternativeUserID	U	<i>not specialized</i>
	UserName	U	<i>not specialized</i>
	UserIsRequestor	M	<i>not specialized</i>
	RoleIDCode	M	EV(110153, DCM, “Source”)
	NetworkAccessPointTypeCode	M	“1” for machine (DNS) name, “2” for IP address
	NetworkAccessPointID	M	The machine name or IP address

IHE Quality, Research and Public Health Technical Framework Supplement – Vital Records
Death Reporting (VRDR)

1535

Destination <i>AuditMessage/ ActiveParticipant</i>	UserID	M	The identity of the Information Recipient Public Health Organization and receiving application from the HL7 message; concatenated together, separated by the character.
	AlternativeUserID	M	The process ID as used within the local operating system in the local system logs.
	<i>UserName</i>	<i>U</i>	<i>not specialized</i>
	<i>UserIsRequestor</i>	<i>M</i>	<i>not specialized</i>
	RoleIDCode	M	EV(110152, DCM, "Destination")
	NetworkAccessPointTypeCode	M	"1" for machine (DNS) name, "2" for IP address
	NetworkAccessPointID	M	The machine name or IP address

Audit Source <i>AuditMessage/ AuditSourceIdentification</i>	<i>AuditSourceID</i>	<i>U</i>	<i>not specialized</i>
	<i>AuditEnterpriseSiteID</i>	<i>U</i>	<i>not specialized</i>
	<i>AuditSourceTypeCode</i>	<i>U</i>	<i>not specialized</i>

Patient <i>(AuditMessage/ ParticipantObjectIdentification)</i>	ParticipantObjectTypeCode	M	"1" (person)
	ParticipantObjectTypeCodeRole	M	"1" (patient)
	<i>ParticipantObjectDataLifeCycle</i>	<i>U</i>	<i>not specialized</i>
	ParticipantObjectIDTypeCode	M	EV(2, RFC-3881, "Patient Number")
	<i>ParticipantObjectSensitivity</i>	<i>U</i>	<i>not specialized</i>
	ParticipantObjectID	M	The patient ID in HL7 CX format.
	<i>ParticipantObjectName</i>	<i>U</i>	<i>not specialized</i>
	<i>ParticipantObjectQuery</i>	<i>U</i>	<i>not specialized</i>
ParticipantObjectDetail	M	Type=MSH-10 (the literal string), Value=the value of MSH-10 (from the message content, base64 encoded)	

3.38.5.1.3 Form Receiver CDA Exporter Actor audit message:

	Field Name	Opt	Value Constraints
Event <i>AuditMessage/ EventIdentification</i>	EventID	M	EV(110106, DCM, "Export")
	EventActionCode	M	"C" (create) for QRPH-38 (A04) "U" (update) for QRPH-38 (A08, A11)
	<i>EventDateTime</i>	<i>M</i>	<i>not specialized</i>
	<i>EventOutcomeIndicator</i>	<i>M</i>	<i>not specialized</i>
	EventTypeCode	M	EV("QRPH-38", "IHE Transactions", "VRDRFeed")
Source (Form Receiver CDA Exporter) (1)			
Human Requestor (0..n)			
Destination (Information Recipient Actor) (1)			

IHE Quality, Research and Public Health Technical Framework Supplement – Vital Records
Death Reporting (VRDR)

Audit Source (Form Receiver CDA Exporter) (1)
Patient (1)

Where:

Source <small>AuditMessage/ ActiveParticipant</small>	UserID	M	The identity of the Form Receiver CDA Exporter facility and sending application from the HL7 message; concatenated together, separated by the character.
	AlternativeUserID	M	The process ID as used within the local operating system in the local system logs.
	<i>UserName</i>	<i>U</i>	<i>not specialized</i>
	<i>UserIsRequestor</i>	<i>M</i>	<i>not specialized</i>
	RoleIDCode	M	EV(110153, DCM, "Source")
	NetworkAccessPointTypeCode	M	"1" for machine (DNS) name, "2" for IP address
	NetworkAccessPointID	M	The machine name or IP address

Human Requestor (if known) <small>AuditMessage/ ActiveParticipant</small>	UserID	M	Identity of the human that initiated the transaction.
	<i>AlternativeUserID</i>	<i>U</i>	<i>not specialized</i>
	<i>UserName</i>	<i>U</i>	<i>not specialized</i>
	<i>UserIsRequestor</i>	<i>M</i>	<i>not specialized</i>
	RoleIDCode	U	Access Control role(s) the user holds that allows this transaction.
	<i>NetworkAccessPointTypeCode</i>	<i>NA</i>	
	<i>NetworkAccessPointID</i>	<i>NA</i>	

1540

Destination <small>AuditMessage/ ActiveParticipant</small>	UserID	M	The identity of the Information Recipient Public Health Organization and receiving application from the HL7 message; concatenated together, separated by the character.
	<i>AlternativeUserID</i>	<i>M</i>	<i>not specialized</i>
	<i>UserName</i>	<i>U</i>	<i>not specialized</i>
	<i>UserIsRequestor</i>	<i>M</i>	<i>not specialized</i>
	RoleIDCode	M	EV(110152, DCM, "Destination")
	NetworkAccessPointTypeCode	M	"1" for machine (DNS) name, "2" for IP address
	NetworkAccessPointID	M	The machine name or IP address

Audit Source <small>AuditMessage/ AuditSourceIdentification</small>	<i>AuditSourceID</i>	<i>U</i>	<i>not specialized</i>
	<i>AuditEnterpriseSiteID</i>	<i>U</i>	<i>not specialized</i>
	<i>AuditSourceTypeCode</i>	<i>U</i>	<i>not specialized</i>

3.38.5.1.4 Form Processor CDA Exporter Actor audit message:

	Field Name	Opt	Value Constraints
Event AuditMessage/ EventIdentification	EventID	M	EV(110106, DCM, "Export")
	EventActionCode	M	"C" (create) for QRPH-38 (A04) "U" (update) for QRPH-38 (A08, A11)
	EventDateTime	M	not specialized
	EventOutcomeIndicator	M	not specialized
	EventTypeCode	M	EV("QRPH-38", "IHE Transactions", "VRDRFeed")
Source (Form Processor CDA Exporter) (1)			
Human Requestor (0..n)			
Destination (Information Recipient Actor) (1)			
Audit Source (Form Processor CDA Exporter) (1)			
Patient (1)			

Where:

Source AuditMessage/ ActiveParticipant	UserID	M	The identity of the Form Processor CDA Exporter facility and sending application from the HL7 message; concatenated together, separated by the character.
	AlternativeUserID	M	The process ID as used within the local operating system in the local system logs.
	UserName	U	not specialized
	UserIsRequestor	M	not specialized
	RoleIDCode	M	EV(110153, DCM, "Source")
	NetworkAccessPointTypeCode	M	"1" for machine (DNS) name, "2" for IP address
	NetworkAccessPointID	M	The machine name or IP address

Human Requestor (if known) AuditMessage/ ActiveParticipant	UserID	M	Identity of the human that initiated the transaction.
	AlternativeUserID	U	not specialized
	UserName	U	not specialized
	UserIsRequestor	M	not specialized
	RoleIDCode	U	Access Control role(s) the user holds that allows this transaction.
	NetworkAccessPointTypeCode	NA	
	NetworkAccessPointID	NA	

1545

Destination AuditMessage/ ActiveParticipant	UserID	M	The identity of the Information Recipient Public Health Organization and receiving application from the HL7 message; concatenated together, separated by the character.
	AlternativeUserID	M	not specialized
	UserName	U	not specialized

	<i>UserIsRequestor</i>	<i>M</i>	<i>not specialized</i>
	<i>RoleIDCode</i>	<i>M</i>	EV(110152, DCM, “Destination”)
	<i>NetworkAccessPointTypeCode</i>	<i>M</i>	“1” for machine (DNS) name, “2” for IP address
	<i>NetworkAccessPointID</i>	<i>M</i>	The machine name or IP address

Audit Source AuditMessage/ AuditSourceIdentification	<i>AuditSourceID</i>	<i>U</i>	<i>not specialized</i>
	<i>AuditEnterpriseSiteID</i>	<i>U</i>	<i>not specialized</i>
	<i>AuditSourceTypeCode</i>	<i>U</i>	<i>not specialized</i>

3.47 VRDRQuery [QRPH-47]

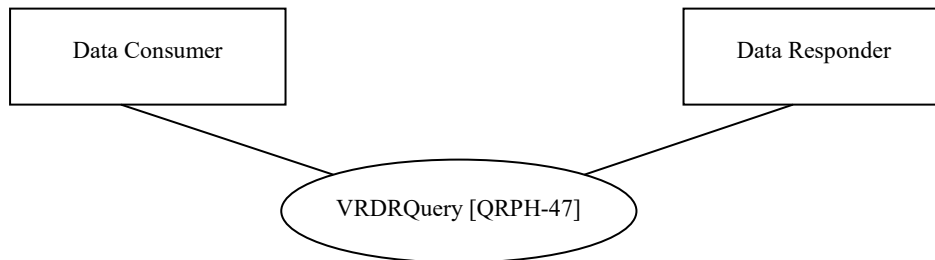
The Data Consumer retrieves death reporting related health information from the Data responder.

1550

3.47.1 Scope

This transaction connects a Data Consumer to a Data Responder to allow query/retrieve of death reporting related health information.

3.47.2 Actor Roles



1555

Figure 3.47.2-1: Use Case Diagram between Data Consumer and Data Responder

Table 3.47.2-1: Actor Roles

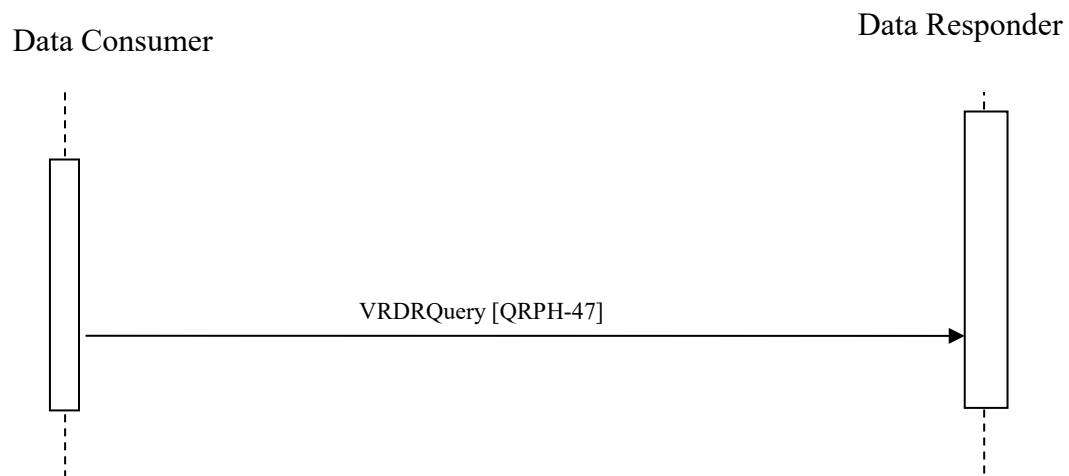
Actor:	Data Consumer
Role:	The Data Consumer is responsible for creating a FHIR-based request for death reporting related health information and retrieving this information from the Data responder.
Actor:	Data Responder
Role:	The Data Responder responds to the request for death reporting related health information or provides the appropriate response if the information does not exist.

3.47.3 Referenced Standards

- HL7 FHIR standard STU3
http://www.hl7.org/implement/standards/product_brief.cfm?product_id=449

1560

3.47.4 Interaction Diagram



3.47.4.1 VRDRQuery message

1565 Data Consumer retrieves the death reporting related health information from the Data Responder.

3.47.4.1.1 Trigger Events

Data Consumer shall trigger a FHIR-based query (QRPH-47) to the Data Responder when:

The clinician is preparing to complete the death reporting details for jurisdictional vital records reporting

1570 3.47.4.1.2 Message Semantics

The message is a FHIR HTTP or HTTPS GET of Death Reporting Data where the parameter provided is the PatientID. While both HTTP and HTTPS are permitted, the implementation SHOULD consider HTTPS.

As the information is retrieved from multiple resources, the URL resources for this operation are

- 1575
- [base]/Patient/[id]

- [base]/Condition/[id]
- [base]/Composition/[id]
- [base]/Location/[id]
- [base]/Observation/[id]
- 1580 • [base]/Location/[id]
- [base]/Practitioner/[id]
- [base]/Procedure/[id]
- [base]/RelatedPerson/[id]

3.47.4.1.3 Expected Actions

1585 The Data Consumer initiates the retrieve request for the resources specified in QRPH TF-3:6.6 using HTTP or HTTPS GET, and the Data Responder responds using the resources specified in QRPH TF-3:6.6 according to the FHIR GET specification with the requested death reporting related health information Death Reporting information or an error message. See: <http://hl7.org/fhir/http.html#read>.

1590 **3.47.5 Security Considerations**

This transaction includes identifiable health information, and depending upon the implementation and application, may constitute a disclosure of health information that require audit, encryption, and authentication of the Data Consumer and Data responder. For further guidance, see ITI TF Supplement: Appendix Z.

1595 **3.47.5.1 Security Audit Considerations – VRDRQuery [QRPH-47] (ADT)**

The VRDRQuery [QRPH-47] (FHIR GET) messages are audited as “PHI Export” events, as defined in ITI TF-2a: Table 3.20.4.1.1.1-1. The following tables show items that are required to be part of the audit record for these specific VRDRQuery transactions.

3.47.5.1.1 Data Responder Actor audit message:

	Field Name	Opt	Value Constraints
Event AuditMessage/ EventIdentification	EventID	M	EV(110106, DCM, “Export”)
	EventActionCode	M	“C” (create) for QRPH-47 (VRDRQuery)
	EventDateTime	M	not specialized
	EventOutcomeIndicator	M	not specialized
	EventTypeCode	M	EV(“QRPH-47”, “IHE Transactions”, “VRDRQuery”)
Source (Death Reporting Data Responder Actor) (1)			
Human Requestor (0..n)			
Destination (Death Reporting Data Consumer Actor) (1)			

IHE Quality, Research and Public Health Technical Framework Supplement – Vital Records
Death Reporting (VRDR)

Audit Source (Death Reporting Data Responder Actor) (1)
Patient (1)

1600

Where:

Source <small>AuditMessage/ ActiveParticipant</small>	UserID	M	The identity of the Death Reporting Data Responder facility and responder application; concatenated together, separated by the character.
	AlternativeUserID	M	The process ID as used within the local operating system in the local system logs.
	UserName	U	<i>not specialized</i>
	UserIsRequestor	M	<i>not specialized</i>
	RoleIDCode	M	EV(110153, DCM, "Source")
	NetworkAccessPointTypeCode	M	"1" for machine (DNS) name, "2" for IP address
	NetworkAccessPointID	M	The machine name or IP address

Human Requestor (if known) <small>AuditMessage/ ActiveParticipant</small>	UserID	M	Identity of the human that initiated the transaction.
	AlternativeUserID	U	<i>not specialized</i>
	UserName	U	<i>not specialized</i>
	UserIsRequestor	M	<i>not specialized</i>
	RoleIDCode	U	Access Control role(s) the user holds that allows this transaction.
	NetworkAccessPointTypeCode	NA	
	NetworkAccessPointID	NA	

Destination <small>AuditMessage/ ActiveParticipant</small>	UserID	M	The identity of the Death Reporting Data Consumer facility and responder application; concatenated together, separated by the character.
	AlternativeUserID	M	<i>not specialized</i>
	UserName	U	<i>not specialized</i>
	UserIsRequestor	M	<i>not specialized</i>
	RoleIDCode	M	EV(110152, DCM, "Destination")
	NetworkAccessPointTypeCode	M	"1" for machine (DNS) name, "2" for IP address
	NetworkAccessPointID	M	The machine name or IP address, as specified in RFC3881.

Audit Source <small>AuditMessage/ AuditSourceIdentification</small>	AuditSourceID	U	<i>not specialized</i>
	AuditEnterpriseSiteID	U	<i>not specialized</i>
	AuditSourceTypeCode	U	<i>not specialized</i>

IHE Quality, Research and Public Health Technical Framework Supplement – Vital Records
Death Reporting (VRDR)

Patient (AuditMessage/ ParticipantObjectIdent ification)	ParticipantObjectTypeCode	M	“1” (person)
	ParticipantObjectTypeCodeR ole	M	“1” (patient)
	<i>ParticipantObjectDataLifeCy cle</i>	<i>U</i>	<i>not specialized</i>
	ParticipantObjectIDTypeCod e	M	EV(2, RFC-3881, “Patient Number”)
	<i>ParticipantObjectSensitivity</i>	<i>U</i>	<i>not specialized</i>
	ParticipantObjectID	M	The patient ID in HL7 CX format.
	<i>ParticipantObjectName</i>	<i>U</i>	<i>not specialized</i>
	<i>ParticipantObjectQuery</i>	<i>U</i>	<i>not specialized</i>
	ParticipantObjectDetail	M	Type=MSH-10 (the literal string), Value=the value of MSH-10 (from the message content, base64 encoded)

1605 **3.47.5.1.2 Death Reporting Data Consumer Actor audit message:**

	Field Name	Opt	Value Constraints
Event (AuditMessage/ EventIdentification)	EventID	M	EV(110107, DCM, “Import”)
	EventActionCode	M	“C” (create) for QRPH-47 (VRDRQuery)
	<i>EventDateTime</i>	<i>M</i>	<i>not specialized</i>
	<i>EventOutcomeIndicator</i>	<i>M</i>	<i>not specialized</i>
	EventTypeCode	M	EV(“QRPH-47”, “IHE Transactions”, “VRDRQuery”)
Source (Death Reporting Data Consumer Actor) (1)			
Destination (Death Reporting Data Responder Actor) (1)			
Audit Source (Death Reporting Data Consumer Actor) (1)			
Patient(1)			

Where:

Source (AuditMessage/ ActiveParticipant)	UserID	M	The identity of the Death Reporting Data Responder facility and responder application; concatenated together, separated by the character
	<i>AlternativeUserID</i>	<i>U</i>	<i>not specialized</i>
	<i>UserName</i>	<i>U</i>	<i>not specialized</i>
	<i>UserIsRequestor</i>	<i>M</i>	<i>not specialized</i>
	RoleIDCode	M	EV(110153, DCM, “Source”)
	NetworkAccessPointTypeCo de	M	“1” for machine (DNS) name, “2” for IP address
	NetworkAccessPointID	M	The machine name or IP address

IHE Quality, Research and Public Health Technical Framework Supplement – Vital Records
Death Reporting (VRDR)

Destination <i>AuditMessage/ ActiveParticipant</i>	UserID	M	The identity of the Death Reporting Data Consumer facility and responder application; concatenated together, separated by the character
	AlternativeUserID	M	The process ID as used within the local operating system in the local system logs.
	<i>UserName</i>	<i>U</i>	<i>not specialized</i>
	<i>UserIsRequestor</i>	<i>M</i>	<i>not specialized</i>
	RoleIDCode	M	EV(110152, DCM, "Destination")
	NetworkAccessPointTypeCode	M	"1" for machine (DNS) name, "2" for IP address
	NetworkAccessPointID	M	The machine name or IP address

Audit Source <i>AuditMessage/ AuditSourceIdentification</i>	<i>AuditSourceID</i>	<i>U</i>	<i>not specialized</i>
	<i>AuditEnterpriseSiteID</i>	<i>U</i>	<i>not specialized</i>
	<i>AuditSourceTypeCode</i>	<i>U</i>	<i>not specialized</i>

1610

Patient <i>(AuditMessage/ ParticipantObjectIdentification)</i>	ParticipantObjectTypeCode	M	"1" (person)
	ParticipantObjectTypeCodeRole	M	"1" (patient)
	<i>ParticipantObjectDataLifeCycle</i>	<i>U</i>	<i>not specialized</i>
	ParticipantObjectIDTypeCode	M	EV(2, RFC-3881, "Patient Number")
	<i>ParticipantObjectSensitivity</i>	<i>U</i>	<i>not specialized</i>
	ParticipantObjectID	M	The patient ID in HL7 CX format.
	<i>ParticipantObjectName</i>	<i>U</i>	<i>not specialized</i>
	<i>ParticipantObjectQuery</i>	<i>U</i>	<i>not specialized</i>
ParticipantObjectDetail	M	Type=MSH-10 (the literal string), Value=the value of MSH-10 (from the message content, base64 encoded)	

Appendices

None

Volume 2 Namespace Additions

No new Volume 2 Namespace additions.

1615

Volume 3 – Content Modules

5 Namespaces and Vocabularies

Add to Section 5 Namespaces and Vocabularies

1620

codeSystem	codeSystemName	Description
2.16.840.1.113883.6.1	LOINC	Logical Observation Identifier Names and Codes
2.16.840.1.113883.6.96	SNOMED-CT	Systematized Nomenclature Of Medicine Clinical Terms

Add to Section 5.1.1 IHE Format Codes

Profile	Format Code	Media Type	Template ID
Vital Records Death Reporting	urn:ihe:qrph:vrdr:2013	text/xml	Vital Records Death Reporting Document (1.3.6.1.4.1.19376.1.7.3.1.1.23.1)
Medical Summary for VRDR Pre-pop	urn:ihe:qrph:ms-vrdr:2013	text/xml	Medical Summary for VRDR Pre-pop (1.3.6.1.4.1.19376.1.7.3.1.1.23.2)

1625

Add to Section 5.1.2 IHE ActCode Vocabulary

No new ActCode Vocabulary

Add to Section 5.1.3 IHE RoleCode Vocabulary

No new RoleCode Vocabulary

Add to Section 6 as follows

1630 **6 Content Modules**

6.3.1 CDA Document Content Modules

6.3.1.D1 Vital Records Death Reporting (VRDR) Document Content Module (1.3.6.1.4.1.19376.1.7.3.1.1.23.3)

6.3.1.D1.1 Format Code

1635 The XDSDocumentEntry format code for this content is **urn:ihe:qrph:vrdr:2013**

6.3.1.D1.2 Parent Template

This document is a specialization of the HL7 Reporting Death Information from a clinical setting to Vital Records (ClinicalDocument: templateId 2.16.840.1.113883.10.20.26.1.1.6).

6.3.1.D1.3 Referenced Standards

1640 All standards which are referenced in this document are listed below with their common abbreviation, full title, and link to the standard.

Table 6.3.1.D1.3-1: Vital Records Death Reporting (VRDR) Document - Referenced Standards

Abbreviation	Title	URL
CDAR2	HL7 CDA Release 2.0	http://www.hl7.org/Library/General/HL7_CDAR2_final.zip
HL7 VRDR CDA	HL7 IG for Clinical Document Architecture (CDA) Release 2: Reporting Death Info from the EHR to Vital Records, Release 1 (STU) US Realm	http://www.hl7.org/implementation/standards/product_brief.cfm?product_id=386
LOINC	Logical Observation Identifiers, Names and Codes	
SNOMED	Systemized Nomenclature for Medicine	

1645 **6.3.1.D1.4 Data Element Requirement Mappings**

6.3.1.D1.4.1 Data Element Requirement Mappings to CDA

1650 Table 6.3.1.D1.4.1-1 specifies the mapping of data from the Vital Records Death Reporting Data Elements (See QRPH TF-1: Appendix B). Column 1 and 2 contain attributes available on the form. Column 3 contains the mapping of these data elements to the VRDR CDA Document. A Form Receiver CDA Exporter or Form Processor CDA Exporter SHALL be able to map values from the specified form data elements for this profile to generate the CDA document content according to the required mappings in Table 6.3.1.D1.4.1-1.

Form Receiver CDA Exporter or Form Processor CDA Exporter SHALL map the value in the form element in column 1 into the section/machine readable entry of the VRDR CDA document

1655 (1.3.6.1.4.1.19376.1.7.3.1.1.23.3) specified in Column 4. Based upon the jurisdiction data requirements, some of the data mappings below may be optional. The HL7 VRDR CDA identifies a separate template for the flow from the provider to the jurisdiction (Provider Death Registration Document (2.16.840.1.113883.10.20.26.1.1.1) and from the Jurisdiction to the National Statistics Agency (Jurisdiction Death Information Document

1660 2.16.840.1.113883.10.20.26.1.1.2). The IHE QRP profile extends the full content below for both information flows to allow for optimal implementation flexibility. This may be further constrained by national extension.

Table 6.3.1.D1.4.1-1: Required Mappings - Form VRDR Data Elements to VRDR CDA

Attribute Name	Death Report Data Element	VRDR CDA
DOD (for date) TOD (For Time)	Patient Death Date and Time	Vital Records Death Reporting (VRDR) Document Content Module (1.3.6.1.4.1.19376.1.7.3.1.1.23.3) /recordTarget/patientRole/patient sdct:deceasedTime At least a year must be provided, even if the date is not known with certainty. Use the Death Date Comment template to record supplemental information relevant to the date of death .Death Event Section [Section: templateId 2.16.840.1.113883.10.20.26.1.2.6] Death Date Comment [Observation: templateId - 2.16.840.1.113883.10.20.26.1.3.20] observation/value@probability This attribute represents the probability assigned to the value, a decimal number between 0 (very uncertain) and 1 (certain). If the date of death is the actual date of death, set @probability=1. If the date of death is a presumed date of death, set @probability=0
AGED	Age at Death	Vital Records Death Reporting (VRDR) Document Content Module (1.3.6.1.4.1.19376.1.7.3.1.1.23.3) Decedent Demographics Section (Section: templateID - 2.16.840.1.113883.10.20.26.1.2.1) Age at Death Observation (Observation: templateID: 2.16.840.1.113883.10.20.26.1.3.36) observation/value
NLTLY	Nationality of Deceased	NOTE: Extended for WHO support recordTarget/patientRole/patient/citizenship
CERTID	Certificate number	NOTE: Extended for WHO support recordTarget/ patientRole /id
BCID	Birth certificate ID	Vital Records Death Reporting (VRDR) Document Content Module (1.3.6.1.4.1.19376.1.7.3.1.1.23.3) Decedent Demographics Section 2.16.840.1.113883.10.20.26.1.2.1 Birth Certificate 2.16.840.1.113883.10.20.26.1.3.45 /id Where code = '444561001', Birth Certificate (record artifact), SNOMED-CT

IHE Quality, Research and Public Health Technical Framework Supplement – Vital Records
Death Reporting (VRDR)

Attribute Name	Death Report Data Element	VRDR CDA
BCYR	Birth certificate {birth} year	Vital Records Death Reporting (VRDR) Document Content Module (1.3.6.1.4.1.19376.1.7.3.1.1.23.3) Decedent Demographics Section 2.16.840.1.113883.10.20.26.1.2.1 Birth Certificate 2.16.840.1.113883.10.20.26.1.3.45 /effectiveTime/@value Where code = '444561001', Birth Certificate (record artifact), SNOMED-CT
DREG	Date of Death Registration	Death Administration Section 2.16.840.1.113883.10.20.26.1.2.3 Death Registration 2.16.840.1.113883.10.20.26.1.3.46 effectiveTime where code= '307928008', Death administrative procedure, SNOMED-CT
FORMSRC	Source flag	Death Administration Section 2.16.840.1.113883.10.20.26.1.2.3 Death Certification (Act: templateId2.16.840.1.113883.10.20.26.1.3.50) //observation[templateId/@root="2.16.840.1.113883.10.20.26.1.3.50"][templateId/@extension="2016-12-01"]/value
BPLACEST	State or Province of Birth	recordTarget/patientRole/patient/birthplace/place/addr

IHE Quality, Research and Public Health Technical Framework Supplement – Vital Records
 Death Reporting (VRDR)

Attribute Name	Death Report Data Element	VRDR CDA
COD	Cause of Death	<p>Vital Records Death Reporting (VRDR) Document Content Module (1.3.6.1.4.1.19376.1.7.3.1.1.23.3) Cause of Death Section [Section: templateId - 2.16.840.1.113883.10.20.26.1.2.4]</p> <p>Death Causal Information Organizer[Organizer: templateId 2.16.840.1.113883.10.20.26.1.6] Cause of Death (descriptive text) [Observation: templateId 2.16.840.1.113883.10.20.26.1.3.16]</p> <p>/value (@xsi:type="ST") where /code=69453-9, Cause of Death, LOINC</p> <p><i>Clinician entry is descriptive text.</i></p> <p>Vital Records Death Reporting (VRDR) Document Content Module (1.3.6.1.4.1.19376.1.7.3.1.1.23.3) Cause of Death Section [Section: templateId - 2.16.840.1.113883.10.20.26.1.2.4]</p> <p>Death Causal Information Organizer[Organizer: templateId 2.16.840.1.113883.10.20.26.1.6] /component/sequenceNumber/@value</p> <p><i>A clinician may enter multiple diseases, injuries, or complications in order to record the cause of death. The immediate cause of death and the underlying cause of death must be reported. Additional causes of death may be recorded. These are entered in a defined sequence, and the order of each is recorded using component/sequenceNumber.</i></p> <p><i>The clinician provided information is used by the National Center for Health Statistics to provide ICD codes for the cause or causes of death. A single clinician provided entry may lead to multiple codes being assigned.</i></p>

IHE Quality, Research and Public Health Technical Framework Supplement – Vital Records Death Reporting (VRDR)

Attribute Name	Death Report Data Element	VRDR CDA
INTERVAL	Onset to death interval for cause of death	<p>Vital Records Death Reporting (VRDR) Document Content Module (1.3.6.1.4.1.19376.1.7.3.1.1.23.3)</p> <p>Cause of Death Section [Section: templateId - 2.16.840.1.113883.10.20.26.1.2.4 Death Causal Information Organizer[Organizer: templateId 2.16.840.1.113883.10.20.26.1.6] Cause of Death (descriptive text) [Observation: templateId 2.16.840.1.113883.10.20.26.1.3.16] Disease Onset to Death Interval [Observation: templateId - 2.16.840.1.113883.10.20.26.1.3.18] /value @xsi:type="ST"</p> <p>where code/@code="69440-6" Disease onset to death interval (CodeSystem: 2.16.840.1.113883.6.1 LOINC)</p> <ul style="list-style-type: none"> The data to be included will vary from statements of time intervals to text statements such as “many months”, “days”, “unknown”. Each disease onset to death interval value is contained in a Cause of Death observation that identifies the condition associated with the time interval. <i>This linkage is implemented through the use of entryRelationship.</i>
OTHCOD	Cause of Death - Other Significant Conditions	<p>Vital Records Death Reporting (VRDR) Document Content Module (1.3.6.1.4.1.19376.1.7.3.1.1.23.3)</p> <p>Cause of Death Section [Section: templateId - 2.16.840.1.113883.10.20.26.1.2.4 Death Causal Information Organizer[Organizer: templateId 2.16.840.1.113883.10.20.26.1.6] Cause of Death Other Significant Conditions (descriptive text) [Observation: templateId - 2.16.840.1.113883.10.20.26.1.3.17] Component/observation/value Where code/@code="69441-4" Other Significant Condition (CodeSystem: 2.16.840.1.113883.6.1 LOINC) AND Component/observation/value ([1..1] with @xsi:type="ED"</p> <ul style="list-style-type: none"> <i>Descriptive text that provides information on a significant condition or conditions that contributed to death, but did not result in the underlying cause that is elsewhere described. Multiple conditions may be entered, separated by commas. The maximum length is 240 characters.</i>

IHE Quality, Research and Public Health Technical Framework Supplement – Vital Records
Death Reporting (VRDR)

Attribute Name	Death Report Data Element	VRDR CDA
CERT	Certifier Type	<p>Vital Records Death Reporting (VRDR) Document Content Module (1.3.6.1.4.1.19376.1.7.3.1.1.23.3) Death Administration Section [Section: templateId - 2.16.840.1.113883.10.20.26.1.2.3] Death Certification (Act: templateId2.16.840.1.113883.10.20.26.1.3.50) performer/assignedEntity/code Where code is data type CD and uses values from value set: (CodeSystem: 2.16.840.1.114222.4.11.6001 Certifier Types (NCHS))</p> <p><i>The type of certifier is:</i></p> <ul style="list-style-type: none"> • <i>"Certifying Physician" when the person who is completing the medical certification of cause of death is not the person who pronounced death</i> • <i>"Pronouncing & Certifying Physician" when the same physician has both pronounced death and certified to the cause of death</i> <p><i>"Medical Examiner/Coroner" when investigation is required by the Post-Mortem Examination Act and the cause of death is completed by a medical examiner or coroner</i></p>
CERTIFBY	Death Certified By	<p>Vital Records Death Reporting (VRDR) Document Content Module (1.3.6.1.4.1.19376.1.7.3.1.1.23.3) Death Administration Section [Section: templateId - 2.16.840.1.113883.10.20.26.1.2.3] Death Certification [Act: templateId 2.16.840.1.113883.10.20.26.1.3.50] performer/assignedEntity/assignedPerson/name [1..1]</p> <ul style="list-style-type: none"> • <i>This field contains the name of the person who signed the death certificate. The full name of the certifier is required. A value is required if the case has not been assigned to a coroner/medical examiner.</i>
CERTADDR	Certifier Address	<p>Vital Records Death Reporting (VRDR) Document Content Module (1.3.6.1.4.1.19376.1.7.3.1.1.23.3) Death Administration Section [Section: templateId - 2.16.840.1.113883.10.20.26.1.2.3] Death Certification [Act: templateId 2.16.840.1.113883.10.20.26.1.3.50] performer/assignedEntity/addr [1..1]</p> <ul style="list-style-type: none"> • <i>The postal address used to locate the clinician or coroner at the time of death certification. The element is required if the death has been certified.</i>
CERTSIG	Certifier signature	<p>Document Digital Signature may be used to reflect the signature. See QRPH TF-1: X.5 VRDR Security Considerations</p>
BPLACE	Birth Place	recordTarget/patientRole/patient/birthplace/place/addr
MARITAL	Marital Status	recordTarget/patientRole/patient/maritalStatusCode

IHE Quality, Research and Public Health Technical Framework Supplement – Vital Records
Death Reporting (VRDR)

Attribute Name	Death Report Data Element	VRDR CDA
DEDUC	Education level	Decedent Demographics Section [Section: templateId - 2.16.840.1.113883.10.20.26.1.2.1] Decedent Education Level [Observation: templateId - 2.16.840.1.113883.10.20.26.1.3.35] observation/code @code="80913-7" Decedent education level (CodeSystem: 2.16.840.1.113883.6.1 LOINC) AND /observation/value ([1..1] with @xsi:type="CD" using Decedent Education Level (NCHS) 2.16.840.1.114222.4.11.7385 unless otherwise constrained by Jurisdiction.
DOI	Date of Injury	Vital Records Death Reporting (VRDR) Document Content Module (1.3.6.1.4.1.19376.1.7.3.1.1.23.3) Cause of Death Section [Section: templateId - 2.16.840.1.113883.10.20.26.1.2.4] Injury Organizer (Organizer: templateId: 2.16.840.1.113883.10.20.26.1.3.52) Injury Details (Act: templateId: 2.16.840.1.113883.10.20.26.1.3.33) act/effectiveTime
PD	Date pronounced Dead	Vital Records Death Reporting (VRDR) Document Content Module (1.3.6.1.4.1.19376.1.7.3.1.1.23.3) Death Administration Section [Section: templateId - 2.16.840.1.113883.10.20.26.1.2.3] Death Pronouncement (Observation: templateId 2.16.840.1.113883.10.20.26.1.3.51) effectiveTime
CERTDATE	Death Certificate Signed	Vital Records Death Reporting (VRDR) Document Content Module (1.3.6.1.4.1.19376.1.7.3.1.1.23.3) Death Administration Section [Section: templateId - 2.16.840.1.113883.10.20.26.1.2.3] Death Certification [Observation: templateId 2.16.840.1.113883.10.20.26.1.3.50] effectiveTime [1..1]
DETHNIC	Ethnicity	recordTarget/patientRole/patient/ethnicGroupCode sdtc:ethnicGroupCode
DECNAME	Decedent's Name Known by Certifier	recordTarget/patientRole/patient/name
DADDR	Decedent's Residence	recordTarget/patientRole/addr
DRACE	Decedent's Race	recordTarget/patientRole/patient/raceCode sdtc:raceCode

IHE Quality, Research and Public Health Technical Framework Supplement – Vital Records
Death Reporting (VRDR)

Attribute Name	Death Report Data Element	VRDR CDA
INJDESC	Describe how the injury occurred	<p>Vital Records Death Reporting (VRDR) Document Content Module (1.3.6.1.4.1.19376.1.7.3.1.1.23.3) Cause of Death Section [Section: templateId - 2.16.840.1.113883.10.20.26.1.2.4] Injury Organizer (Organizer templateId: 2.16.840.1.113883.10.20.26.1.3.52) Injury Details (Act: templateId: 2.16.840.1.113883.10.20.26.1.3.33) act/text [1..1] text statements</p> <ul style="list-style-type: none"> Describe how injury occurred
TOBAC	Did tobacco use contribute to death?	<p>Vital Records Death Reporting (VRDR) Document Content Module (1.3.6.1.4.1.19376.1.7.3.1.1.23.3) Cause of Death Section [Section: templateId - 2.16.840.1.113883.10.20.26.1.2.4] Tobacco Use Contributed to Death V2 [Observation: templateId 2.16.840.1.113883.10.20.26.1.14] value [1..1] Where value data type is CD and uses values from value set: (CodeSystem: 2.16.840.1.114222.4.11.6004 Contributory Tobacco Use (NCHS)), Where code = '69443-0', 'Did tobacco use contribute to death', LOINC</p>
DINSTI	Facility Name (Geographic location where the death occurred)	<p>Vital Records Death Reporting (VRDR) Document Content Module (1.3.6.1.4.1.19376.1.7.3.1.1.23.3) Death Event Section [Section: templateId 2.16.840.1.113883.10.20.26.1.2.6] Location of Death (Observation: templateId 2.16.840.1.113883.10.20.26.1.10) text [0..1] text statements</p> <ul style="list-style-type: none"> Information about the place where death occurred. It is provided if no address can be.
DSTREETADDR	Street address where death occurred if not facility	<p>Vital Records Death Reporting (VRDR) Document Content Module (1.3.6.1.4.1.19376.1.7.3.1.1.23.3) Death Event Section [Section: templateId 2.16.840.1.113883.10.20.26.1.2.6] Location of Death (Observation: templateId 2.16.840.1.113883.10.20.26.1.10) text [0..1] text statements</p> <ul style="list-style-type: none"> Information about the place where death occurred. It is provided if no address can be. <p>/value where value data type is AD if the mailing address is known</p> <ul style="list-style-type: none"> The mailing address for the place where the person died. This attribute is collected if the person died at a home, a health facility, or other location with a postal address.

IHE Quality, Research and Public Health Technical Framework Supplement – Vital Records
Death Reporting (VRDR)

Attribute Name	Death Report Data Element	VRDR CDA
PREG	Female pregnancy status at time of death	<p>Vital Records Death Reporting (VRDR) Document Content Module (1.3.6.1.4.1.19376.1.7.3.1.1.23.3)</p> <p>Cause of Death Section (Section: templateId - 2.16.840.1.113883.10.20.26.1.2.4)</p> <p>Pregnancy Status V2 (Observation: templateId 2.16.840.1.113883.10.20.26.1.12)</p> <p>value [1..1]</p> <p>Where value data type is CD and uses values from value set: (CodeSystem: 2.16.840.1.114222.4.11.6003 Pregnancy Status (NCHS))</p> <ul style="list-style-type: none"> • <i>A code that provides information regarding whether or not the person was pregnant at the time of her death, or whether she was pregnant around the time of death. Required if the person is female and in the age range 5 to 75 years.</i>
WORKINJ	Injury at Work	<p>Vital Records Death Reporting (VRDR) Document Content Module (1.3.6.1.4.1.19376.1.7.3.1.1.23.3)</p> <p>Cause of Death Section [Section: templateId - 2.16.840.1.113883.10.20.26.1.2.4]</p> <p>Injury Organizer (V2) (Organizer: templateId 2.16.840.1.113883.10.20.26.1.9)</p> <p>Injury Association with Work [Observation: templateId - 2.16.840.1.113883.10.20.26.1.3.41]</p> <p>/ with @xsi:type="CD" [1..1]</p> <p>Where value data type is BL</p> <ul style="list-style-type: none"> • <i>A Boolean using value set Yes No Unknown (YNU) urn:oid:2.16.840.1.114222.4.11.888 that tells whether or not the injury occurred while the person was at work.</i> <p>And</p> <p>Where Component/observation/code/@code="69444-8"</p> <p>Did death result from injury at work (CodeSystem: 2.16.840.1.113883.6.1 LOINC)</p>
CLICNUM	License Number of Person Certifying Death	<p>Vital Records Death Reporting (VRDR) Document Content Module (1.3.6.1.4.1.19376.1.7.3.1.1.23.3)</p> <p>Death Administration Section [Section: templateId - 2.16.840.1.113883.10.20.26.1.2.3]</p> <p>Death Certification [Act: templateId 2.16.840.1.113883.10.20.26.1.3.50]</p> <p>performer/assignedEntity/ id [1..*]</p>
PLICNUM	License Number of Person Pronouncing Death	<p>Vital Records Death Reporting (VRDR) Document Content Module (1.3.6.1.4.1.19376.1.7.3.1.1.23.3)</p> <p>Death Administration Section [Section: templateId - 2.16.840.1.113883.10.20.26.1.2.3]</p> <p>Death Pronouncement (Act: templateId 2.16.840.1.113883.10.20.26.1.3.51)</p> <p>performer/assignedEntity/ id [1..1]</p>

IHE Quality, Research and Public Health Technical Framework Supplement – Vital Records
Death Reporting (VRDR)

Attribute Name	Death Report Data Element	VRDR CDA
INJLOCNAR	Injury location Narrative	<p>Vital Records Death Reporting (VRDR) Document Content Module (1.3.6.1.4.1.19376.1.7.3.1.1.23.3) Cause of Death Section [Section: templateId - 2.16.840.1.113883.10.20.26.1.2.4] Injury Organizer (Organizer: templateId 2.16.840.1.113883.10.20.26.1.3.52) Injury Details (Act: templateId: 2.16.840.1.113883.10.20.26.1.3.33) act/participant/participantRole/addr [0..1] if available</p> <ul style="list-style-type: none"> The street address for the place where the injury occurred. Required if the decedent suffered an injury leading to death. <p>where code/@code="11374-6" description (CodeSystem: 2.16.840.1.113883.6.1 LOINC)</p>
MANNER	Manner of Death	<p>Vital Records Death Reporting (VRDR) Document Content Module (1.3.6.1.4.1.19376.1.7.3.1.1.23.3) Death Event Section [Section: templateId - 2.16.840.1.113883.10.20.26.1.2.6] Manner of Death (Observation: templateId 2.16.840.1.113883.10.20.26.1.11) value [1..1] Where value data type is CD and uses values from value set: (CodeSystem: 2.16.840.1.114222.4.11.6002 Manner Of Death (NCHS)) where code/@code="69449-7" Manner of Death (CodeSystem: 2.16.840.1.113883.6.1 LOINC)</p>
NAMECOD	Name of person completing COD	<p>Vital Records Death Reporting (VRDR) Document Content Module (1.3.6.1.4.1.19376.1.7.3.1.1.23.3) Cause of Death Section [Section: templateId - 2.16.840.1.113883.10.20.26.1.2.4] Death Causal Information Organizer [Organizer: templateId 2.16.840.1.113883.10.20.26.1.6] Author Participation (identifier: templateId - 2.16.840.1.113883.10.20.22.4.119) author/assignedAuthor/name</p>
DPLACE	Place of Death	<p>Vital Records Death Reporting (VRDR) Document Content Module (1.3.6.1.4.1.19376.1.7.3.1.1.23.3) Death Event Section (Section: templateId - 2.16.840.1.113883.10.20.26.1.2.6) Death Location Type (Observation templateId 2.16.840.1.113883.10.20.26.1.8) value [1..1] where its data type is CD and uses values from value set: <ul style="list-style-type: none"> (CodeSystem: 2.16.840.1.114222.4.11.7216 Place of Death (NCHS)) <p>where code/@code="58332-8" Location of Death (CodeSystem: 2.16.840.1.113883.6.1 LOINC)</p> </p>

IHE Quality, Research and Public Health Technical Framework Supplement – Vital Records
Death Reporting (VRDR)

Attribute Name	Death Report Data Element	VRDR CDA
DISP	Method of Disposition	<p>Death Administration Section [Section: templateId - 2.16.840.1.113883.10.20.26.1.2.3] Method of Disposition [Observation: templateId - 2.16.840.1.113883.10.20.26.1.3.42] value [1..1] where its data type is CD and uses values from value set:</p> <ul style="list-style-type: none"> (CodeSystem: 2.16.840.1.114222.4.11.7379 Methods of Disposition (NCHS)) <p>where code/@code="80905-3" Method of disposition (CodeSystem: 2.16.840.1.113883.6.1 LOINC)</p>
INJPL	Place of Injury	<p>Vital Records Death Reporting (VRDR) Document Content Module (1.3.6.1.4.1.19376.1.7.3.1.1.23.3) Injury Organizer (Organizer templateId 2.16.840.1.113883.10.20.26.1.3.52) Injury Details [Act: templateId 2.16.840.1.113883.10.20.26.1.3.33] act/participant/participantRole/playingEntity/code [1..1] which uses values from value set:</p> <ul style="list-style-type: none"> (CodeSystem: 2.16.840.1.114222.4.11.7374 Place of Injury (NCHS)) <ul style="list-style-type: none"> <i>A description of the type of place where the injury occurred. Possible entries are "at home", "farm", "factory", "office building", "restaurant". Required if the decedent suffered an injury leading to death.</i> <p>where act/code/@code="11374-6" Injury incident (CodeSystem: 2.16.840.1.113883.6.1 LOINC)</p>
SEX	Sex	<p>recordTarget/patientRole/Patient/administrativeGenderCode NOTE: while the modeled location references the term 'gender', the attribute in this VRDR CDA location SHALL contain the Administrative Sex of the deceased</p>
PRONOUNCERS IG	Signature of Person Pronouncing Death	<p>Document Digital Signature may be used to reflect the signature. See Security Considerations Section QRPH TF- 1:X.5 VRDR Security Considerations</p>

IHE Quality, Research and Public Health Technical Framework Supplement – Vital Records
 Death Reporting (VRDR)

Attribute Name	Death Report Data Element	VRDR CDA										
JURISID	Jurisdiction Person Identifier (e.g., Social Security Number (SSN))	<p>recordTarget/id Where Root is the 2.16.840.1.113883.4.1 (for Social Security Administration) or the Root of the Jurisdiction Person Identifier assigning authority</p> <p>The Extension is the person’s Jurisdiction Person Identifier If there is no Jurisdiction Person Identifier, use one of the following flavors of NULL in place of the extension attribute:</p> <table border="1" data-bbox="829 653 1471 1083"> <thead> <tr> <th data-bbox="829 653 1125 751">HL7 Concept Code Head Code-defined Value Set</th> <th data-bbox="1125 653 1471 751">NCHS SSN Companion Missing Values Variable</th> </tr> </thead> <tbody> <tr> <td data-bbox="829 751 1125 831">NI v:NoInformation</td> <td data-bbox="1125 751 1471 831">None (decedent has no Jurisdiction Person Identifier)</td> </tr> <tr> <td data-bbox="829 831 1125 930">. UNK . v:Unknown</td> <td data-bbox="1125 831 1471 930">Unknown (informant does not know the Jurisdiction Person Identifier)</td> </tr> <tr> <td data-bbox="829 930 1125 1003">. . . NAV</td> <td data-bbox="1125 930 1471 1003">Pending (informant does not know at this time)</td> </tr> <tr> <td data-bbox="829 1003 1125 1083">. . NASK</td> <td data-bbox="1125 1003 1471 1083">Not Obtainable (no informant, unknown body)</td> </tr> </tbody> </table>	HL7 Concept Code Head Code-defined Value Set	NCHS SSN Companion Missing Values Variable	NI v:NoInformation	None (decedent has no Jurisdiction Person Identifier)	. UNK . v:Unknown	Unknown (informant does not know the Jurisdiction Person Identifier)	. . . NAV	Pending (informant does not know at this time)	. . NASK	Not Obtainable (no informant, unknown body)
HL7 Concept Code Head Code-defined Value Set	NCHS SSN Companion Missing Values Variable											
NI v:NoInformation	None (decedent has no Jurisdiction Person Identifier)											
. UNK . v:Unknown	Unknown (informant does not know the Jurisdiction Person Identifier)											
. . . NAV	Pending (informant does not know at this time)											
. . NASK	Not Obtainable (no informant, unknown body)											
TOI	Time of Injury	<p>Vital Records Death Reporting (VRDR) Document Content Module (1.3.6.1.4.1.19376.1.7.3.1.1.23.3) Cause of Death Section [Section: templateId - 2.16.840.1.113883.10.20.26.1.2.4] Injury Organizer (Organizer templateId 2.16.840.1.113883.10.20.26.1.3.52) Injury Details (Act: templateId: 2.16.840.1.113883.10.20.26.1.3.33) act/effectiveTime Where code/@code="11374-6" Injury incident description (CodeSystem: 2.16.840.1.113883.6.1 LOINC)</p>										
PD	Time pronounced Dead	<p>Vital Records Death Reporting (VRDR) Document Content Module (1.3.6.1.4.1.19376.1.7.3.1.1.23.3) Death Administration Section [Section: templateId - 2.16.840.1.113883.10.20.26.1.2.3] Death Pronouncement (Act: templateId 2.16.840.1.113883.10.20.26.1.3.51) effectiveTime where code/@code="11374-6" Injury incident</p>										

IHE Quality, Research and Public Health Technical Framework Supplement – Vital Records
Death Reporting (VRDR)

Attribute Name	Death Report Data Element	VRDR CDA
CERTL	Title of Certifier	<p>Vital Records Death Reporting (VRDR) Document Content Module (1.3.6.1.4.1.19376.1.7.3.1.1.23.3)</p> <p>Death Administration Section [Section: templateId - 2.16.840.1.113883.10.20.26.1.2.3]</p> <p>Death Certification (V2) [Observation: templateId 2.16.840.1.113883.10.20.26.1.7]</p> <p>performer/assignedEntity/assignedPerson/name/suffix [1..1]</p> <p><i>This element is to be used for entering the title of the certifier as free text</i></p>
TRANSPINJ	Transportation Injury	<p>Vital Records Death Reporting (VRDR) Document Content Module (1.3.6.1.4.1.19376.1.7.3.1.1.23.3)</p> <p>Cause of Death Section [Section: templateId - 2.16.840.1.113883.10.20.26.1.2.4]</p> <p>Injury Organizer) [Organizer: templateId 2.16.840.1.113883.10.20.26.1.3.52]</p> <p>Injury Association with Transportation Event [Observation: templateId - 2.16.840.1.113883.10.20.26.1.3.34]</p> <p>WHERE</p> <p>(observation/value [1..1] Where value with @xsi:type="CD", where the code SHALL be selected from ValueSet Yes No Unknown (YNU) (2.16.840.1.114222.4.11.888)</p> <p>AND</p> <p>where code/@code="69448-9" Injury leading to death associated with transportation event (CodeSystem: 2.16.840.1.113883.6.1 LOINC)</p> <p>)</p>
TRANSP	Transportation Role of Decedent	<p>Cause of Death Section [Section: templateId - 2.16.840.1.113883.10.20.26.1.2.4]</p> <p>Injury Organizer [Organizer: templateId 2.16.840.1.113883.10.20.26.1.3.52]</p> <p>Injury Association with Transportation Event [Observation: templateId - 2.16.840.1.113883.10.20.26.1.3.34]</p> <p>observation/participant/participantRole/code [0..1] which uses values from value set: (CodeSystem: 2.16.840.1.114222.4.11.6005 Transportation Relationships (NCHS)Value Set)</p> <ul style="list-style-type: none"> A coded value that states, if the injury was related to transportation, the specific role played by the decedent, e.g., driver, passenger. Required if the decedent suffered an injury leading to death.

IHE Quality, Research and Public Health Technical Framework Supplement – Vital Records
Death Reporting (VRDR)

Attribute Name	Death Report Data Element	VRDR CDA
AUTOP	Was an autopsy performed?	<p>Vital Records Death Reporting (VRDR) Document Content Module (1.3.6.1.4.1.19376.1.7.3.1.1.23.3) Death Administration Section [Section: templateId - 2.16.840.1.113883.10.20.26.1.2.3] Autopsy Details (Observation: templateId 2.16.840.1.113883.10.20.26.1.3.53) @negationInd [1..1] <i>To indicate that an autopsy has been performed, set @negationInd="false" and to indicate that an autopsy has not been performed, set @negationInd="true".</i></p>
REF	Was Medical Examiner or Coroner contacted?	<p>Vital Records Death Reporting (VRDR) Document Content Module (1.3.6.1.4.1.19376.1.7.3.1.1.23.3) Coroner Case Transfer (V2)[Act: templateID 2.16.840.1.113883.10.20.26.1.4] @negationInd [0..1] <i>If the medical examiner or coroner was contacted, set @negationInd="false", if the medical examiner or coroner was not contacted, set @negationInd="true"; if it is unknown whether or not the medical examiner or coroner was contacted, set @nullFlavor="UNK".</i></p> <p>Where code/@code="74497-9" Medical examiner or coroner was contacted (CodeSystem: 2.16.840.1.113883.6.1 LOINC)</p> <p>Entry: Coroner Referral (Observation: templateID 2.16.840.1.113883.10.20.26.1.5) Where code/@code='69438-0', 'Forensic medicine Referral note', LOINC A note that is intended to record the reason the case was forwarded to a coroner or medical examiner.</p>
AUTOPF	Were autopsy findings available to complete the COD	<p>Vital Records Death Reporting (VRDR) Document Content Module (1.3.6.1.4.1.19376.1.7.3.1.1.23.3) Death Administration Section [Section: templateId - 2.16.840.1.113883.10.20.26.1.2.3] Autopsy Details (V2) [Procedure: templateId - 2.16.840.1.113883.10.20.26.1.2] Availability of Autopsy Results (V2) [Observation: templateId 2.16.840.1.113883.10.20.26.1.3] value [1..1]</p> <ul style="list-style-type: none"> • <i>Were autopsy findings available to complete the cause of death?</i> <p>Where value data type is BL Where code/@code="69436-4" Were autopsy findings available to complete the cause of death? (CodeSystem: 2.16.840.1.113883.6.1 LOINC)</p>

1665 **6.3.1.D1.4.2 Data Element Requirement Mappings to Message**

1670 Table 6.3.11.D1.4.2-1 specifies the mapping of data from the Vital Records Death Reporting Data Elements (See QRPH TF-1: Appendix B). Column 1 and 2 contain attributes available on the form. Column 3 contains the mapping of these data elements to the VRDRFeed [QRPH-38]. The mapping differs depending on whether the Form Receiver Message Exporter or the Form Processor Message Exporter supports the Provider Supplied Death (PSDI) Option or the Jurisdiction Death Information (JDI) Option. A Form Receiver Message Exporter or a Form Processor Message Exporter SHALL be able to map values from the specified form data elements for this profile to generate the QRPH-38 content according to the required mappings in Table 6.3.11.D1.4.2-1.

1675 The Form Receiver Message Exporter or Form Processor Message Exporter SHALL map the value in the form element in column 1 and 2 into the VRDRFeed message specified in QRPH TF-2: 3.38.4.1.2. Column 3 specifies the mapping for the PSDI Option, and Column 4 specifies the mapping for the JDI Option. Based upon the jurisdiction data requirements, some of the data mappings below may be optional.

1680 **Table 6.3.1.D1.4.2-1: Required Mappings - Form VRDR Data Elements to VRDR Feed [QRPH-38]**

Attribute Name	Death Report Data Element	Message Location (PSDI)	Message Location (JDI)
DOD (for date) TOD (For Time)	Patient Death Date and Time	Same as JDI	PID-29 SHALL contain Patient Death Date and Time At least a year must be provided, even if the date is not known with certainty. PID-30 (Patient Death Indicator) SHALL BE valued 'Y'
AGED	Age at Death	OBX-5.1 SHALL contain NM OBX-3.1 SHALL contain 39016-1^ Age at Death OBX-6.1 SHALL contain UCUM Time Units (See unit conversion for UCUM values)	OBX-2 SHALL contain NM OBX-3 SHALL contain 39016-1^ Age at Death^LN OBX-6.1 SHALL contain UCUM Time Units (See unit conversion for UCUM values) Age Edit Flag: OBX-2 SHALL contain CWE OBX-3 SHALL contain PHC1421^Age Edit Flag^ CDCPHINVS
NLTLY	Nationality of Deceased	NA	PID-26
CERTID	Certificate number	N/A	PID-3.1 SHALL contain CERTID
BCID	Birth certificate ID	N/A	OBX-2 SHALL contain ST OBX-3 SHALL contain 80903-8 ^ birth certificate ID^LN

IHE Quality, Research and Public Health Technical Framework Supplement – Vital Records
 Death Reporting (VRDR)

Attribute Name	Death Report Data Element	Message Location (PSDI)	Message Location (JDI)
BCYR	Birth certificate {birth} year	N/A	OBX-2 SHALL contain ST OBX-3 SHALL contain 80904-6^ Birth certificate data year^LN
DREG	Date of Death Registration	N/A	OBX-2 SHALL contain TS OBX-3 SHALL contain 80907-9 ^ Death registration date^LN Month: Characters 5,6 of time stamp Day: Characters 7,8 of time stamp Year: Initial 4 characters of time stamp
FORMSRC	Source flag	N/A	OBX-2 SHALL contain CWE OBX-3 SHALL contain PHC1433^ SourceFlag^ CDCPHINVS
BPLACEST	State or Province of Birth	N/A	OBX-2 SHALL contain CWE OBX-3 SHALL contain 80910-3^ state/province of birth ^LN
COD	Cause of Death	OBX-5.1 [ST] Cause of Death Part 1 Line a: OBX-5.9 [CWE] OBX-3.1="Cause of Death" (69453-9 LOINC), OBX.4 ="1" Line b: OBX-5.9 [CWE] OBX-3.1="Cause of Death" (69453-9 LOINC), OBX.4 ="2" Line c: OBX-5.9 [CWE] OBX-3.1="Cause of Death" (69453-9 LOINC), OBX.4 ="3" Line d: OBX-5.9 [CWE] OBX-3.1="Cause of Death" (69453-9 LOINC), OBX.4 ="4"	Cause of Death Part 1 Line a: OBX-2 SHALL contain ST OBX-3 SHALL contain 69453-9^ Cause of death^LN OBX.4 SHALL contain "1" Line b: OBX-2 SHALL contain ST OBX-3 SHALL contain Cause of Death" (69453-9 LOINC), OBX.4 SHALL contain "2" Line c: OBX-2 SHALL contain ST OBX-3="Cause of Death" (69453-9 LOINC), OBX.4 SHALL contain "3" Line d: OBX-2 SHALL contain ST OBX-3="Cause of Death" (69453-9 LOINC), OBX.4 SHALL contain "4"

IHE Quality, Research and Public Health Technical Framework Supplement – Vital Records
 Death Reporting (VRDR)

Attribute Name	Death Report Data Element	Message Location (PSDI)	Message Location (JDI)
INTERVAL	Onset to death interval for cause of death reported	Same as JDI	Line a: OBX-2 SHALL contain ST OBX-3 SHALL contain 69440-6 ^Disease Onset to Death Interval^LN OBX.4 SHALL contain "1" Line b: OBX-2 SHALL contain ST OBX-3 SHALL contain 69440-6 ^Disease Onset to Death Interval^LN OBX.4 SHALL contain "2" Line c: OBX-2 SHALL contain ST OBX-3 SHALL contain 69440-6 ^Disease Onset to Death Interval^LN OBX.4 SHALL contain "3" Line d: OBX-2 SHALL contain ST OBX-3 SHALL contain 69440-6 ^Disease Onset to Death Interval^LN OBX.4 SHALL contain "4"
OTHCOD	Cause of Death - Other Significant Conditions	Same as JDI	OBX-2 SHALL contain ST OBX-3 SHALL contain 69441-4 ^Death Cause Other Significant Conditions^LN
CERTADDR	Certifier Address	Same as JDI	OBX-2 SHALL contain CWE OBX-3 SHALL contain 69439-8^Death certifier (address)^ LN
CERT	Certifier Type	Same as JDI	OBX-2 SHALL contain CWE OBX-3 SHALL contain 69437-2^ Death certifier (type)^ LN
CERTIFBY	Death Certified By		PDA-5 The full name of the certifier is required. The professional status of the certifier – the "Certifier Title" is recorded as the professional name suffix within the XCN data type.
DOB	Date of Birth (Mo/Day/Yr)	Same as JDI	PID-7 If the birth information is not known, leave the field empty.
BPLACE	Birth Place	Same as JDI	OBX-2 SHALL contain XAD OBX-3 SHALL contain 21842-0^Birth Place^LN

IHE Quality, Research and Public Health Technical Framework Supplement – Vital Records
 Death Reporting (VRDR)

Attribute Name	Death Report Data Element	Message Location (PSDI)	Message Location (JDI)
MARITAL	Marital Status	N/A	PID.16.1 Marital Status Edit Flag OBX-2 SHALL contain CWE OBX-3.1 ="Marital Status Edit Flag"
DEDUC	Education level	N/A	OBX-2 SHALL contain CWE OBX-3 SHALL contain 80913-7 ^ Highest level of education Edit Flag: OBX-2 SHALL contain CWE OBX-3 SHALL contain PHC1424^Education Edit Flag^ CDCPHINVS
DOI	Date of Injury	Same as JDI	OBX-2 SHALL contain TS OBX-3 SHALL contain 69445-5 ^Injury Date^LN Month: Characters 5,6 of time stamp Day: Characters 7,8 of time stamp Year: Initial 4 characters of time stamp
PD	Date pronounced Dead	Same as JDI	OBX-2 SHALL contain TS OBX-3 SHALL contain 80616-6 ^Date and time pronounced dead^LN Month: Characters 5,6 of time stamp Day: Characters 7,8 of time stamp Year: Initial 4 characters of time stamp
CERTDATE	Death Certificate Signed	Same as JDI	PDA-4 Death Certificate Signed Date/Time This field is valued with the date and time the death certificate was signed. Must be valued if the case/death has not been assigned to the coroner/medical examiner for investigative purposes. PDA.9 NE "Y"
DETHNIC	Ethnicity	Same as JDI	PID-22 Information regarding the Ethnic origin of the decedent. NOTE: In some jurisdictions, it is prohibited to send race and/or ethnicity, and may be further constrained by national extension.

IHE Quality, Research and Public Health Technical Framework Supplement – Vital Records
Death Reporting (VRDR)

Attribute Name	Death Report Data Element	Message Location (PSDI)	Message Location (JDI)
DECNAME	Decedent's Name Known by Certifier	Same as JDI	PID-5 Patient Name Patient name. When the name of the patient is not known, a value must still be placed in this field since the field is required. In that case, HL7 recommends the following: ~~~~~U]. The "U" for the name type code in the second name indicates that it is unspecified. Since there may be no name components populated, this means there is no legal name, nor is there an alias. This guide will interpret this sequence to mean there is no patient name.
FSNAME	Father's Surname	N/A	OBX-2 SHALL contain XPN OBX-3 SHALL contain Father's Surname
MMAIDEN	Mother's Maiden Name	N/A	PID-26
DRACE	Decedent's Race	Same as JDI	PID-10
DOCC	Occupation	N/A	OBX-2 SHALL contain CWE OBX-3 SHALL contain =21843-8^ Occupation ^LN
DIND	Industry	N/A	OBX-2 SHALL contain CWE OBX-3 SHALL contain 21844- 6^industry^LN"
DEMPSTAT	Employment Status	N/A	OBX-2 SHALL contain CWE OBX-3 SHALL contain 11295- 3^current employment^LN"
DADDR	Decedent's Residence	Same as JDI	PID-11 Patient Address Street address, city, state and zip code elements of Patient Address SHOULD be included.
INJDESC	Describe how the injury occurred	OBX-3 Injury Incident Description	OBX-2 SHALL contain ST OBX-3 SHALL contain 11374-6 ^ Injury incident description ^LN
TOBAC	Did tobacco use contribute to death?	Same as JDI	OBX-2 SHALL contain ST OBX-3 SHALL contain 69443-0^Did Tobacco Use Contribute to Death^LN
DINSTI	Facility Name (Geographic location where the death occurred)	Same as JDI	PDA-2.9 Can be used to either provide the name of the facility where the patient died or if the location type is "Other", to provide more detail.
DSTREETADDR	Street address where death occurred if not facility	Same as JDI	OBX-2 SHALL contain XAD OBX-3 SHALL contain 69435-6 ^Street address where death occurred if not facility^LN

IHE Quality, Research and Public Health Technical Framework Supplement – Vital Records
Death Reporting (VRDR)

Attribute Name	Death Report Data Element	Message Location (PSDI)	Message Location (JDI)
PREG	Female pregnancy status at time of death	OBX-5.1 [CE] OBX-3.1="Timing of Recent Pregnancy Related to Death" (69442-2 LOINC)	OBX-2 SHALL contain CWE OBX-3 SHALL contain 69442-2 ^Timing of Recent Pregnancy Related to Death^LN Pregnancy Edit Flag: OBX-2 SHALL contain CWE OBX-3 SHALL contain PHC1429^ Pregnancy Edit Flag^ CDCPHINVS
WORKINJ	Injury at Work	Same as JDI	OBX-2 SHALL contain CWE OBX-3 SHALL contain 69444-8^Did Death Result from Injury at Work^LN
CLICNUM	License Number of Person Certifying Death	Same as JDI	PDA-5 If the license number for the certifier is not available, since the person was not licensed, the value "NA" should be used in place of the identifier.
PLICNUM	License Number of Person Pronouncing Death	Same as JDI	OBX-2 SHALL contain XCN OBX-3 SHALL contain 74499-5^Death pronouncer details^LN)
INJLOCNAR	Injury location Narrative	Same as JDI	OBX-2 SHALL contain ST OBX-3 SHALL contain 69447-1^The street address for the place where the injury occurred^LN)
MANNER	Manner of Death	Same as JDI	OBX-2 SHALL contain CWE OBX-3 SHALL contain 69449-7^manner of death^LN
NAMECOD	Name of person completing COD	Same as JDI	PDA-5
DPLACE	Place of Death	Same as JDI	PDA-2.6 Death Location A code to indicate the type of place where the person died.
DISP	Method of Disposition	N/A	OBX-2 SHALL contain CWE OBX-3 SHALL contain 80905-3^Method of disposition^LN
INJPL	Injury location	Same as JDI	OBX-2 SHALL contain CWE OBX-3 SHALL contain 71481-6^Place of Injury (NCHS)^LN
SEX	Sex	PID-8 Administrative Sex	PID-8 Administrative Sex Sex Edit Flag: OBX-2 SHALL contain CWE OBX-3 SHALL contain PHC1432^Sex edit flag^CDCPHINVS "

IHE Quality, Research and Public Health Technical Framework Supplement – Vital Records
Death Reporting (VRDR)

Attribute Name	Death Report Data Element	Message Location (PSDI)	Message Location (JDI)
PRONOUNCERSIG	Signature of Person Pronouncing Death	N/A	N/A
JURISID	Jurisdiction Person Identifier (e.g., Social Security Number (SSN))	Same as JDI	<p>PID-3 Patient Identifier List Unless otherwise constrained by national extension:</p> <p>Where This is Social Security Number, the ID Type Code = "SS" Where this is Death Certificate Number, the ID Type Code = "DC" Where this is Death Certificate File Number, the ID Type Code = "DCFN" Where this is National Unique Individual Identifier, the ID Type Code = "NI"</p>
TOI	Time of Injury	Same as JDI	<p>OBX-2 SHALL contain TS OBX-3 SHALL contain 69445-5^Injury Date^LN</p>
PD	Time pronounced Dead	Same as JDI	<p>OBX-2 SHALL contain TS OBX-3 SHALL contain 80616-6^Date and time pronounced dead^LN</p>
CERTL	Title of Certifier	Same as JDI	<p>PDA-5.6 The professional status of the certifier – the "Certifier Title" is recorded as the professional name suffix within the XCN data type.</p>
TRANSPINJ	Injury leading to death associated with transportation event	Same as JDI	<p>OBX-2 SHALL contain CWE OBX-3 SHALL contain 69448-9^Injury leading to death associated with transportation event^LN</p>
TRANSP	Transportation Role of Decedent	Same as JDI	<p>OBX-2 SHALL contain CWE OBX-3 SHALL contain 69451-3^Transportation Role of Decedent^LN</p>
AUTOP	Was an autopsy performed?	Same as JDI	<p>PDA-6 Autopsy Performed This field indicates whether an autopsy was performed.</p>
REF	Was Medical Examiner or Coroner contacted?	Same as JDI	<p>PDA-9 Coroner Indicator This flag indicates whether the case/death has been assigned to the coroner/medical examiner for investigative purposes.</p>
AUTOPF	Were autopsy findings available to complete the COD	Same as JDI	<p>OBX-2 SHALL contain CWE OBX-3 SHALL contain 69436-4^autopsy results available^LN</p>

Attribute Name	Death Report Data Element	Message Location (PSDI)	Message Location (JDI)
PLANG	Primary Language	Same as JDI	PID-15 Needed for the WHO form to express the ability to read and write, but may be further constrained by national extension. When the attribute is populated, the VRDR Information receiver shall either accept this information or ignore the attribute, but SHALL NOT raise an application error
BPLACE	Birth Place	Same as JDI	PID-23 Needed for the WHO form, but may be further constrained by national extension.
NLTLY	Nationality of Deceased	Same as JDI	PID-26 Needed for the WHO form to reflect nationality, but may be further constrained by national extension

6.3.1.D1.4.3 Data Element Requirement Mappings to Form Pre-population

1685 The ‘Summary Document Source’ column in Table 6.3.1.D1.4.3-2 Data Element Requirement Mappings to Form Pre-population specifies the mapping from multiple summary documents listed in Table 6.3.1.D1.4.3-1 XPATH Root Source. Use the XPATH Root for the Document type submitted for pre-pop to determine the pre-pop mapping rule specified in Table 6.3.1.D1.4.3-2 Data Element Requirement Mappings to Form Pre-population.

1690 The specific data elements required for the form vary by jurisdictional requirements. Minimally, the following data elements SHOULD be collected:

- a Last Name (even if it is “Doe” – still need something in the Last Name field)
- Date of Death (the month and day can be unknown coded as “99” but the year must be given – in the case of a discovered body, the CME makes his best “guess”)
- Something needs to be in the cause of death field – it can be unknown or pending, but can’t be blank
- And a place of death – meaning, the Town of Death. The Town of Death must be included even if the actual site of death is not known, and may be populated by the CME's best guess.

1700

Table 6.3.1.D1.4.3-1: XPATH Root Source

Document Type	XPATH Root
Summary Documents for Medical Summary for VRDR Pre-pop(MS-VRDR)	ClinicalDocument/component/structuredBody/component/section[templ teld[@root=1.3.6.1.4.1.19376.1.7.3.1.1.23.2]
PCC MS Referral Summary	ClinicalDocument/component/structuredBody/component/section[templ teld[@root=1.3.6.1.4.1.19376.1.5.3.1.1.3]]
PCC MS Discharge Summary	ClinicalDocument/component/structuredBody/component/section[templ teld[@root=1.3.6.1.4.1.19376.1.5.3.1.1.4]]
PCC XPHR PHR Extract	ClinicalDocument/component/structuredBody/component/section[templ teld[@root=1.3.6.1.4.1.19376.1.5.3.1.1.5]]
PCC XPHR PHR Update	ClinicalDocument/component/structuredBody/component/section[templ teld[@root=1.3.6.1.4.1.19376.1.5.3.1.1.5]]
HL7/ASTM CCD	ClinicalDocument/component/structuredBody/component/section[templ teld[@root=2.16.840.1.113883.10.20.1.22]]

Table 6.3.1.D1.4.3-2 Data Element Requirement Mappings to Form Pre-population

Attribute Name	Death Report Data Element	Derivation Rule	Summary Document Source	Value sets
DOD	Patient Death Date and Time	DOD_YR SHALL = The Year part of deceasedTime	recordTarget/patientRole/patient/deceasedTime	
		DOD_MO SHALL = The Month part of deceasedTime	recordTarget/patientRole/patient/deceasedTime	
		DOD_DY SHALL = The Day part of deceasedTime	recordTarget/patientRole/patient/deceasedTime	
TOD	Patient Death Date and Time	TOD SHALL = The Time part of deceasedTime	recordTarget/patientRole/patient/deceasedTime	
COD	Cause of Death	NA	NA	69453-9
COD	Cause of Death	NA	NA	NA
INTERVAL	Onset to death interval for cause of death reported	NA	NA	NA

IHE Quality, Research and Public Health Technical Framework Supplement – Vital Records
Death Reporting (VRDR)

Attribute Name	Death Report Data Element	Derivation Rule	Summary Document Source	Value sets
OTHCOD	Cause of Death - Other Significant Conditions	NA	NA	NA
CERT	Death Certifier	NA	NA	69437-2
CERTIFBY	Certifier Name	IF (Procedure CONTAINS (Death Certification (NCHS))) then Certifier Name SHALL = Provider Name	Procedure .../component/section[templateId[@root=1.3.6.1.4.1.19376.1.5.3.1.1.13.2.11]]/entry/procedure/code	Death Certification (NCHS) 1.3.6.1.4.1.19376.1.7.3.1.1.23.8.6
			Provider Name .../component/section[templateId[@root=1.3.6.1.4.1.19376.1.5.3.1.1.13.2.11]]/entry/procedure//performer/assignedEntity/assignedPerson/name	
CERTADDR	Certifier Address	IF (Procedure CONTAINS (Death Certification (NCHS))) then Certifier Name SHALL = Provider Address	Procedure .../component/section[templateId[@root=1.3.6.1.4.1.19376.1.5.3.1.1.13.2.11]]/entry/procedure/code	Death Certification (NCHS) 1.3.6.1.4.1.19376.1.7.3.1.1.23.8.6
			Provider Address .../component/section[templateId[@root=1.3.6.1.4.1.19376.1.5.3.1.1.13.2.11]]/entry/procedure//performer/assignedEntity/assignedPerson/addr	
CERTSIG	Certifier signature	NA	NA	
CERTDATE	Date certified	IF (Procedure CONTAINS (Death Certification (NCHS))) then Date Certified SHALL = Procedure Date	Procedure .../component/section[templateId[@root=1.3.6.1.4.1.19376.1.5.3.1.1.13.2.11]]/entry/procedure/code	Death Certification (NCHS) 1.3.6.1.4.1.19376.1.7.3.1.1.23.8.6
			Procedure Date .../component/section[templateId[@root=1.3.6.1.4.1.19376.1.5.3.1.1.13.2.11]]/entry/procedure/effectiveTime	
DOB	Date of Birth (Mo/Day/Yr)		recordTarget/birthTime	
DOI	Date of Injury	NA	NA	
PD	Date pronounced Dead	IF Procedure CONTAINS (Death Pronouncement Procedure (NCHS)) then	Procedure .../component/section[templateId[@root=1.3.6.1.4.1.19376.1.5.3.1.1.13.2.11]]/entry/procedure/code	Death Pronouncement Procedure (NCHS) 2.16.840.1.114222.4.11.7274

IHE Quality, Research and Public Health Technical Framework Supplement – Vital Records
Death Reporting (VRDR)

Attribute Name	Death Report Data Element	Derivation Rule	Summary Document Source	Value sets
		Date Pronounced Dead SHALL = Procedure Date ELSEIF Pronouncement of Death Finding CONTAINS (Death Pronouncement Finding (NCHS))) then Date Pronounced Dead SHALL = Pronouncement of Death Finding Date	<p>Procedure Date .../component/section[templateId[@root=1.3.6.1.4.1.19376.1.5.3.1.1.13.2.11]]/entry/procedure/effectiveTime</p> <p>Pronouncement of Death Finding .../component/structuredBody/component/section[templateId[@root=1.3.6.1.4.1.19376.1.5.3.1.3.6]]/entry/act/entryRelationship/observation/value</p> <p>Pronouncement of Death Finding Date .../component/structuredBody/component/section[templateId[@root=1.3.6.1.4.1.19376.1.5.3.1.3.6]]/entry/act/entryRelationship/observation/effectiveTime</p>	<p>Death Pronouncement Finding (NCHS) 2.16.840.1.114222.4.1.1.7273</p>
PRONOUNCE RSIGDT	Date Signed	NA	NA	
DETHNIC	Ethnicity		<p>recordTarget ethnicity</p> <p>NOTE: The primary source for this data element is the funeral director and/or next of kin. Any information for these data elements that comes from the EHR may be changed by the funeral director or next of kin. However, the EHR may also serve as a resource for documenting race and ethnicity information to inform the content of this attribute.</p>	HL7 0189
DECNAME	Decedent's Name Known by Certifier		recordTarget name	
DRACE	Decedent's Race		<p>recordTarget race (multiple races should all be captured)</p> <p>NOTE: The primary source for this data element is the funeral director and/or next of kin. Any information for these data elements that comes from the EHR may be changed by the funeral director or next of kin. However, the EHR may also serve as a resource for documenting race and ethnicity information to inform the content of this attribute.</p>	

IHE Quality, Research and Public Health Technical Framework Supplement – Vital Records
Death Reporting (VRDR)

Attribute Name	Death Report Data Element	Derivation Rule	Summary Document Source	Value sets
DADDR	Decedent's Residence	STNUM PREDIR STNAME STDESIG POSTDIR UNUM CITY ZIP COUNTY COUNTRY	recordTarget addr	
INJDESC	Describe how the injury occurred	NA	NA	
TOBAC	Did tobacco use contribute to death?	NA	NA	
DINSTI	Facility Name (Geographic location where the death occurred)	IF Discharge Disposition CONTAINS(Discharge Death (NCHS)) THEN "DINSTI" SHALL be populated using the Facility Name	Facility Name: encompassingEncounter/ location/healthCareFacility/location/name IF the Death occurred within the hospital	
			Discharge Disposition encompassingEncounter/ sdct:dischargeDispositionCode	Discharge Death (NCHS) 1.3.6.1.4.1.19376.1.7. 3.1.1.23.8.4
DSTREETADDR	Street address where death occurred if not facility	NA	NA	
PREG	Female pregnancy status at time of death	IF Findings CONTAINS (Pregnant (NCHS)) then Female pregnancy status at time of death SHALL 'Y' ELSE Data Entry SHALL be required to capture Female pregnancy status at time of death	Findings .../component/structuredBody/component/section[templateId[@root=1.3.6.1.4.1.19376.1.5.3.1.3.6]]/entry/act/entryRelationship/observation/value	Pregnant (NCHS) 1.3.6.1.4.1.19376.1.7. 3.1.1.13.8.95
WORKINJ	Injury at Work	NA	NA	

IHE Quality, Research and Public Health Technical Framework Supplement – Vital Records
Death Reporting (VRDR)

Attribute Name	Death Report Data Element	Derivation Rule	Summary Document Source	Value sets
CLICNUM	License Number of Person Certifying Death	NA	NA	
PLICNUM	License Number of Person Pronouncing Death	IF Procedure CONTAINS (Pregnant (NCHS)) then License Number of Person Pronouncing Death SHALL = Pronouncer License where the Pronouncer License is expressed as the License Number	Procedure .../component/section[templateId[@root=1.3.6.1.4.1.19376.1.5.3.1.1.13.2.11]]/entry/procedure/code	Pregnant (NCHS)) Value Set 2.16.840.1.114222.4.11.7274
			Pronouncer License .../component/section[templateId[@root=1.3.6.1.4.1.19376.1.5.3.1.1.13.2.11]]/entry/procedure/performer/assignedEntity/id/@extension	
INJLOCNAR	Injury location Narrative	NA	NA	
MANNER	Manner of Death	NA	NA	
NAMECOD	Name of person completing COD	NA	NA	
DPLACE	Place of Death	NA	NA	
INJPL	Place of Injury	NA	NA	
SEX	Sex	IF Sex CONTAINS ValueSet (Male Gender (NCHS)) THEN “SEX” SHALL =’M’ ELSE IF Sex CONTAINS ValueSet(Female Gender (NCHS)) THEN “SEX” SHALL =’F’ ELSE THEN “SEX” SHALL =’U’	Sex: recordTarget/patientRole/patient/administrativeGenderCode	Male Gender (NCHS) 1.3.6.1.4.1.19376.1.7.3.1.1.13.8.42
			NOTE: while the modeled location references the term ‘gender’, the attribute in this CDA location is expected to contain the HL7 Administrative Sex value set (M, F, U) of the deceased. Also, the Male Gender and Female Gender value sets in fact are reflecting the concept of ‘Sex’	Female Gender (NCHS) 1.3.6.1.4.1.19376.1.7.3.1.1.13.8.43
PRONOUNCESIG	Signature of Person Pronouncing Death	NA	NA	

IHE Quality, Research and Public Health Technical Framework Supplement – Vital Records
Death Reporting (VRDR)

Attribute Name	Death Report Data Element	Derivation Rule	Summary Document Source	Value sets
JURISID	Jurisdiction Person Identifier (e.g., Social Security Number (SSN))	NA	recordTarget/patientRole/id/@extension where @root=(2.16.840.1.113883.4.1)	
TOI	Time of Injury	NA	NA	
PD	Time pronounced Dead	IF Procedure CONTAINS (Death Pronouncement Procedure (NCHS)) then Date Pronounced Dead SHALL = time component of Procedure Date ELSEIF Pronouncement of Death Finding CONTAINS (Death Pronouncement Finding (NCHS)) then Date Pronounced Dead SHALL = time component of Pronouncement of Death Finding Date	Procedure .../component/section[templateId[@root=1.3.6.1.4.1.19376.1.5.3.1.1.13.2.11]]/entry/procedure/code	Death Pronouncement Procedure (NCHS) 2.16.840.1.114222.4.1.1.7274
			Procedure Date .../component/section[templateId[@root=1.3.6.1.4.1.19376.1.5.3.1.1.13.2.11]]/entry/procedure/effectiveTime	
			Pronouncement of Death Finding .../component/structuredBody/component/section[templateId[@root=1.3.6.1.4.1.19376.1.5.3.1.3.6]]/entry/act/entryRelationship/observation/value	Death Pronouncement Finding (NCHS) 2.16.840.1.114222.4.1.1.7273
			Pronouncement of Death Finding Date .../component/structuredBody/component/section[templateId[@root=1.3.6.1.4.1.19376.1.5.3.1.3.6]]/entry/act/entryRelationship/observation/effectiveTime	
CERTL	Title of Certifier	IF (Procedure CONTAINS (Death Certification (NCHS)) then Title of Certifier SHALL = Provider Type	Procedure .../component/section[templateId[@root=1.3.6.1.4.1.19376.1.5.3.1.1.13.2.11]]/entry/procedure/code	Death Certification (NCHS) 1.3.6.1.4.1.19376.1.7.3.1.1.23.8.6
			Provider Type .../component/section[templateId[@root=1.3.6.1.4.1.19376.1.5.3.1.1.13.2.11]]/entry/procedure//performer/assignedEntity/assignedPerson/code	Certifier Titles (NCHS) 2.16.840.1.114222.4.1.1.7212
TRANSP	Transportation Injury	NA	NA	
AUTOP	Was an autopsy performed?	IF (Autopsy Procedure CONTAINS (Autopsy Performed (NCHS))) then AUTOP SHALL = 'Y'	Autopsy Procedure .../component/section[templateId[@root=1.3.6.1.4.1.19376.1.5.3.1.1.13.2.11]]/entry/procedure/code	Autopsy Performed (NCHS) 1.3.6.1.4.1.19376.1.7.3.1.1.23.8.1

IHE Quality, Research and Public Health Technical Framework Supplement – Vital Records
Death Reporting (VRDR)

Attribute Name	Death Report Data Element	Derivation Rule	Summary Document Source	Value sets
		ELSE IF (Autopsy Findings CONTAINS (Autopsy Not Performed (NCHS))) then AUTOP SHALL = 'N'	Autopsy Findings .../component/structuredBody/component/section[templateId[@root=1.3.6.1.4.1.19376.1.5.3.1.3.6]]/entry/act/entryRelationship/observation/value	Autopsy Not Performed (NCHS) 1.3.6.1.4.1.19376.1.7.3.1.1.23.8.2
REF	Was Medical Examiner or Coroner contacted?	NA	NA	
AUTOPF	Were autopsy findings available to complete the COD	NA	NA	69436-4
MEDDX	Medical Diagnoses Associated with Final Illness	For any DIAGNOSIS question: IF (Active Problems CONTAINS (Locally Defined Diagnosis Value Set)) then DIAGNOSIS SHALL = 'Y' ELSE DIAGNOSIS SHALL = 'N'	Active Problems: .../component/structuredBody/component/section[templateId[@root=1.3.6.1.4.1.19376.1.5.3.1.3.6]]/entry/act/entryRelationship/observation/value	Locally Defined Diagnosis Value Set
MEDRESULT	Medical Results Associated with Final Illness	For any RESULT question: IF (Laboratory Results CONTAINS (Locally Defined Results Value Set)) then RESULT SHALL = 'Y' ELSE RESULT SHALL = 'N'	Laboratory Results ClinicalDocument/component/structuredBody/component/section[templateId[@root='1.3.6.1.4.1.19376.1.5.3.1.3.28']] /entry[templateID[@root='1.3.6.1.4.1.19376.1.5.3.1.4.13']] / observation/code	Locally Defined Results Value Set
MEDPROC	Medical Procedure Associated with Final Illness	For any PROCEDURE question: IF (Procedures CONTAINS (Locally Defined Procedure Value Set)) then PROCEDURE SHALL = 'Y' ELSE PROCEDURE SHALL = 'N'	Procedures: .../component/section[templateId[@root=1.3.6.1.4.1.19376.1.5.3.1.1.13.2.11]]/entry/procedure/code	Locally Defined Procedure Value Set
PLANG	Primary Language		recordTargetLanguageCode	HL7 Table 0296

6.3.1.D1.5 VRDR Document Content Module Specification

1705 This specifies the header, section, and entry content modules which comprise the VRDR Document Content Module. This template further constrains the HL7 Vital Records Death Reporting template.

1710 Sections that are used according to the definitions in other specifications are identified with the relevant specification document. Additional constraints on vocabulary value sets, not specifically constrained within the section template, are also identified. Header constraints to the parent HL7 CDA document for Reporting Birth Information from a Clinical Setting to Vital Records are identified. Only the constrained sections and clinical statements are listed here, but there are additional requirements in the HL7 CDA Implementation Guide.

6.3.1.D1.5.1 Document Constraints

1715 Table 6.3.1.D1.5-1 specifies the VRDR Document Content Module. Those rows highlighted in bold differ from the underlying HL7 CDA specification for VRDR, Reporting Death Information from a clinical setting to Vital Records (2.16.840.1.113883.10.20.26.1.1.6).

Table 6.3.1.D1.5-1: Vital Records Death Reporting (VRDR) Document Content Module Specification

Template Name		Vital Records Death Reporting			
Template ID		1.3.6.1.4.1.19376.1.7.3.1.1.23.3			
Parent Template		Reporting Death Information from a clinical setting to Vital Records 2.16.840.1.113883.10.20.26.1.1.6. Provider Death Registration Document 2.16.840.1.113883.10.20.26.1.1.1 OR Jurisdiction Death Information Document 2.16.840.1.113883.10.20.26.1.1.2 based on information flow NOTE: Constraints to the Header Section Apply			
General Description		Document specification covers the provision of death reporting data to the applicable jurisdictional vital records office			
Document Code		SHALL be 64297-5 (CodeSystem: 2.16.840.1.113883.6.1 LOINC), “Death certificate “			
Opt and Card	Condition	Header Element or Section Name	Template ID	Specification Document	Vocabulary Constraint
Header Elements					
R[1..1]	QRPH TF-3:6.3.1.D1.5.2.7	Personal Information: name	1.3.6.1.4.1.19376.1.5.3.1.1.1	PCC TF-2: 6.3.1.5.6	
R2[0..1]	QRPH TF-3: 6.3.1.D1.5.2.1	Personal Information: birthtime	1.3.6.1.4.1.19376.1.5.3.1.1.1	PCC TF-2: 6.3.1.5.6	
R2[0..1]	QRPH TF-3:6.3.1.D1.5.2.8	Personal Information: addr	1.3.6.1.4.1.19376.1.5.3.1.1.1	PCC TF-2: 6.3.1.5.6	

IHE Quality, Research and Public Health Technical Framework Supplement – Vital Records
Death Reporting (VRDR)

R2[0..1]	QRPH TF-3: 6.3.1.D1.5.2.1 1	Language Communication	.3.6.1.4.1.19376.1.5.3.1.2.1	PCC TF-3: 6.3.2.1	
R2[0..1]	QRPH TF-3: 6.3.1.D1.5.2.2	Personal Information: ethnicity	1.3.6.1.4.1.19376.1.5.3.1.1.1	PCC TF-2: 6.3.1.5.6	PHVS_EthnicGroup_HL7_2x 2.16.840.1.114222.4.11.6066
R2[1..*]	QRPH TF-3: 6.3.1.D1.5.2.3	Personal Information: race	1.3.6.1.4.1.19376.1.5.3.1.1.1	PCC TF-2: 6.3.1.5.6	PHVS_Race_HL7_2x 2.16.840.1.113883.1.11.14914
R[1..1]	QRPH TF-3: 6.3.1.D1.5.2.4	Personal Information: gender	1.3.6.1.4.1.19376.1.5.3.1.1.1	PCC TF-2: 6.3.1.5.6	HVS_AdministrativeGender_HL7_V3 2.16.840.1.113883.1.11.1
R2[0..1]	QRPH TF-3: 6.3.1.D1.5.2.6	Personal Information: id	1.3.6.1.4.1.19376.1.5.3.1.1.1	PCC TF-2: 6.3.1.5.6	
R[1..1]	QRPH TF-3:6.3.1.D1.5.2.5	realmCode		QRPH 6.3.1.D1.5.2.5	
R[1..1]	QRPH TF-3: 6.3.1.D1.5.2.9	deceasedInd		QRPH 6.3.1.D1.5.2.9	
R[1..1]	QRPH TF-3: 6.3.1.D1.5.2.10	deceasedTime		QRPH 6.3.1.D1.5.2.10	
O[0..1]	QRPH TF-3: 6.3.1.D1.5.2.12	maritalStatusCode		QRPH TF-3: 6.3.1.D1.5.2.12	
Sections					
R[1..1]		Cause of Death Section	2.16.840.1.113883.10.20.26.1.2.4	HL7 VRDR CDA CH3	
R[1..1]		Death Administration Section	2.16.840.1.113883.10.20.26.1.2.3	HL7 VRDR CDA CH3	
R[1..1]		Death Event Section	2.16.840.1.113883.10.20.26.1.2.6	HL7 VRDR CDA CH3	
R[1..1]		Decedent Demographics Section (entries optional)	2.16.840.1.113883.10.20.26.1.2.1	HL7 VRDR CDA CH3	

6.3.1.D1.5.2 Header Constraints - Further Vocabulary or Conditional Constraints

1720 6.3.1.D1.5.2.1 Personal Information: birthtime

The recordTarget/birthTime SHOULD contain the birth date/time of the decedent in the document header if known.

6.3.1.D1.5.2.2 Personal Information: ethnicity

1725 The ethnicity MAY be included in the document header if known. The value for ethnicity/ code SHALL be drawn from value set 2.16.840.1.114222.4.11.6066 PHVS_EthnicGroup_HL7_2x unless further extended by national extension.

6.3.1.D1.5.2.3 Personal Information: race

The race MAY be included in the document header if known. The value for race/ code SHALL be drawn from value set

1730 PHVS_Race_HL7_2x. 2.16.840.1.113883.1.11.14914 unless further extended by national extension.

6.3.1.D1.5.2.4 Personal Information: gender

As indicated in the underlying HL7 Death Reporting Document, the value for gender/ code SHALL be drawn from value set 2.16.840.1.113883.1.11.1

1735 HVS_AdministrativeGender_HL7_V3.

6.3.1.D1.5.2.5 realmCode

The realmCode SHALL be included and SHALL indicate the country for the jurisdiction of the implementation. The value for realmCode SHALL be drawn from CodeSystem: 1.0.3166.1

1740 Country (ISO 3166-1). NOTE: this is an extension of the underlying HL7 Vital Records Death Reporting V2.

6.3.1.D1.5.2.6 Personal Information: id

The recordTarget/patientRole/id SHOULD contain the Jurisdiction Person Identifier of the decedent. For persons who do not have a jurisdiction identifier, or if the identifier is not available, a null flavor must be provided:

- 1745
- NI - None (decedent has no Jurisdiction Person Identifier)
 - UNK - Unknown (informant does not know the Jurisdiction Person Identifier)
 - NAV - Pending (informant does not know at this time)
 - NASK - Not Obtainable (no informant, unknown body).

6.3.1.D1.5.2.7 Personal Information: name

1750 The recordTarget/name SHALL contain the legal name of the decedent.

6.3.1.D1.5.2.8 Personal Information: addr Constraint

The recordTarget/addr SHOULD contain the address of the decedent.

6.3.1.D1.5.2.9 sdtc:deceasedInd Constraint

1755 The recordTarget/sdtc:deceasedInd SHALL indicate that the decedent is dead by setting value='true'.

6.3.1.D1.5.2.10 sdtc:deceasedTime Constraint

The recordTarget/sdtc:deceasedTime SHALL contain precisely 1 value indicate the actual or presumed date and time of the decedent's death. Sdtc:deceasedTime SHALL minimally be precise to the year.

1760 **6.3.1.D1.5.2.11 Language Communication**

The recordTarget SHOULD contain precisely 1 header content module for Language Communication to reflect the primary language of the decedent, and MAY additionally include language ability of the primary language of the decedent supporting WHO reporting requirements of the decedent ability to read or write.

1765 **6.3.1.D1.5.2.12 maritalStatusCode**

The recordTarget/patientRole/patient/maritalStatusCode SHOULD contain the marital status of the decedent.

6.3.1.D1.5.3 Body Constraints – Further Vocabulary or Conditional Constraints

There are no body constraints to the underlying HL7 Vital Records Death Reporting.

1770 **6.3.1.D1.6 Vital Records Death Reporting VRDR Conformance and Example**

CDA Release 2.0 documents that conform to the requirements of this document content module shall indicate their conformance by the inclusion of the 1.3.6.1.4.1.19376.1.7.3.1.1.23.3 XML elements in the header of the document.

1775 A complete example of the Vital Records Death Reporting (VRDR) Document Content Module is available on the IHE ftp server at:
ftp://ftp.ihe.net/TF_Implementation_Material/QRPH/VRDR/SampleDeathReporting%20v2.6.zip
. Note that this is an example and is meant to be informative and not normative. This example shows the 1.3.6.1.4.1.19376.1.7.3.1.1.23.3 elements for all of the specified templates.

1780

6.3.1.D2 Medical Summary for VRDR Pre-pop (MS-VRDR) Document Content Module (1.3.6.1.4.1.19376.1.7.3.1.1.23.2)

The Medical Summary for VRDR Pre-pop (MS-VRDR) constrains and extends the PCC Medical Summary (MS) Document to maximize the pre-population ability for Vital Records Death Reporting feeds to the Vital Records System using this profile.

6.3.1.D2.1 Format Code

1785

The XDSDocumentEntry format code for this content is **urn:ihe:qrph:vrdr:2013**

6.3.1.D2.2 Parent Template

This document is a specialization of the IHE PCC Medical Summary (MS) Document (MS: 1.3.6.1.4.1.19376.1.5.3.1.1.2). This document does not require Allergy Entries or Medication Entries, and further constrains problem entries.

1790

6.3.1.D2.3 Referenced Standards

All standards which are referenced in this document are listed below with their common abbreviation, full title, and link to the standard.

Table 6.3.1.D2.3-1: Vital Records Death Reporting (VRDR) Document - Referenced Standards

Abbreviation	Title	URL
CDAR2	HL7 CDA Release 2.0	http://www.hl7.org/Library/General/HL7_CDA_R2_final.zip
CDTHP	CDA for Common Document Types History and Physical Notes (DSTU)	http://www.hl7.org/documentcenter/ballots/2007SEP/support/CDAR2_HPRPT_DSTU_2008AUG.zip
	Edit Specifications for the 2003 Revision of the U.S. Standard Certificate of Death	http://www.cdc.gov/nchs/data/dvs/death_edit_specifications.pdf

1795

6.3.1.D2.4 Data Element Requirement Mappings to CDA

This section identifies the mapping of data between referenced standards into the CDA implementation guide. The following table indicates those attributes that will be pre-populated from the EHR where available. Details regarding how to configure this information in the summary document are provided in Section 6.3.1.D2.5.

1800

Table 6.3.1.D2.4-1: Data Element Requirement Mappings to CDA

Standard Death Report Data Element	CDA-DIR
Patient Death Date and Time	Header: Personal Information

Standard Death Report Data Element	CDA-DIR
Date of Birth (Mo/Day/Yr)	Header: Personal Information
Ethnicity	Header: Personal Information
Decedent's Name Known by Certifier	Header: Personal Information
Decedent's Residence	Header: Personal Information
Decedent's Race	Header: Personal Information
Facility Name (Geographic location where the death occurred)	Encompassing Encounter
Street address where death occurred if not facility	Data Entry Required
Sex	Header: Personal Information
Signature of Person Pronouncing Death	See Document Digital Signature
Jurisdiction Person Identifier (e.g., Social Security Number (SSN))	Header: Personal Information
Was an autopsy performed?	Procedures and Interventions

6.3.1.D2.5 Medical Summary for VRDR Pre-pop (MS-VRDR) Content Module Specification

1805 This section specifies the header, section, and entry content modules which comprise the Medical Summary for VRDR Pre-pop (MS-VRDR) Content Module, using the Template ID as the key identifier.

1810 Sections that are used according to the definitions in other specifications are identified with the relevant specification document. Additional constraints on vocabulary value sets, not specifically constrained within the section template, are also identified.

These are the only sections that are to be constrained. Other sections in the summary document have no further constraints. There are additional summary document sections that are not further specified that SHALL be constructed according to the summary specification.

Table 6.3.1.D2.5-1: Medical Summary for VRDR (MS-VRDR) Document Content Module Specification

1815

Template Name	Medical Summary for VRDR (MS-VRDR) Document
Template ID	1.3.6.1.4.1.19376.1.7.3.1.1.23.2
Parent Template	IHE PCC Medical Summary (MS) Document (MS: 1.3.6.1.4.1.19376.1.5.3.1.1.2).
General Description	This document specifies a constrained version of the IHE PCC Medical Summary that will optimize pre-population of a death report
Document Code	SHALL be 68653-5, LOINC, Discharge summary note

IHE Quality, Research and Public Health Technical Framework Supplement – Vital Records
Death Reporting (VRDR)

Opt and Card	Condition	Header Element or Section Name	Template ID	Specification Document	Vocabulary Constraint
Header Elements					
R[1..1]	QRPH 6.3.1.D1.5.2 .7	Personal Information: name	1.3.6.1.4.1.19376.1.5.3.1.1.1		
R2[0..1]	QRPH 3: 6.3.1.D1.5.2 .1	Personal Information: birthtime	1.3.6.1.4.1.19376.1.5.3.1.1.1		
R2[0..1]	QRPH 6.3.1.D1.5.2 .8	Personal Information: addr	1.3.6.1.4.1.19376.1.5.3.1.1.1		
O[0..1]	QRPH 6.3.1.D1.5.2 .2	Personal Information: ethnicity	1.3.6.1.4.1.19376.1.5.3.1.1.1		PHVS_EthnicGroup_HL7_2x 2.16.840.1.114222.4.11.6066
O[0..N]	QRPH 6.3.1.D1.5.2 .3	Personal Information: race	1.3.6.1.4.1.19376.1.5.3.1.1.1		PHVS_Race_HL7_2x. 2.16.840.1.113883.1.11.14914
R[1..1]	QRPH 6.3.1.D1.5.2 .4	Personal Information: gender	1.3.6.1.4.1.19376.1.5.3.1.1.1		HVS_AdministrativeGender_HL7_V3 2.16.840.1.113883.1.11.1
R2[0..1]	QRPH 6.3.1.D1.5.2 .6	Personal Information: id	1.3.6.1.4.1.19376.1.5.3.1.1.1		
R[1..1]	QRPH 6.3.1.D1.5.2 .5	realmCode	1.3.6.1.4.1.19376.1.5.3.1.1.1		
R[1..1]	QRPH 6.3.1.D1.5.2 .9	sdtc:deceasedTime	1.3.6.1.4.1.19376.1.5.3.1.1.1		
R[1..1]	QRPH 6.3.1.D1.5.2 .10	sdtc:deceasedInd	1.3.6.1.4.1.19376.1.5.3.1.1.1		
Sections					
R[1..1]	QRPH3: 6.3.1.D2.5.1	Encompassing Encounter	2.16.840.1.113883.10.20.1.21	PCC TF-2	QRPH V3: 6.3.1.D2.5.1
R[1..1]	QRPH 3: 6.3.1.D2.5.2	Active Problems	1.3.6.1.4.1.19376.1.5.3.1.3.6	PCC TF-2	QRPH V3: 6.3.1.D2.5.2

R2[0..1]	QRPH 3: 6.3.1.D2.5.3	Procedures and Interventions	1.3.6.1.4.1.19376.1.5.3.1.1.13.2.11	PCC TF-2	QRPH V3: 6.3.1.D2.5.3
R2[0..*]	QRPH 3: 6.3.1.D2.5.5	Coded Results	1.3.6.1.4.1.19376.1.5.3.1.3.28	PCC TF-2	QRPH V3: 6.3.1.D2.5.4

6.3.1.D2.5.1 Encompassing Encounter Section Condition

The encompassingEncounter/ location/healthCareFacility/location/name SHALL contain the facility name where the patient died.

1820 The encompassingEncounter/ location/healthCareFacility/location/addr SHALL contain the facility address where the patient died.

6.3.1.D2.5.2 Active Problems Section Condition

The Active Problems Section SHALL be Required if Known and SHALL include the Problems Concern Entry.

6.3.1.D2.5.2.1 Problems Concern Entry Condition

1825 SHALL include the following problems using the following value sets, unless further extended by national extension, where these findings are known at the time of death:

To indicate that the patient is pregnant:

Pregnant 1.3.6.1.4.1.19376.1.7.3.1.1.13.8.95

1830 For Autopsy Findings:

VRDR Autopsy Not Performed 1.3.6.1.4.1.19376.1.7.3.1.1.23.8.2

Autopsy Not Performed (NCHS) 1.3.6.1.4.1.19376.1.7.3.1.1.23.8.2

For Death Pronouncement Finding:

Death Pronouncement Finding (NCHS) 2.16.840.1.114222.4.11.7273

1835 In:

ClinicalDocument/recordTarget/component/structuredBody/component/section[templateId[@root=1.3.6.1.4.1.19376.1.5.3.1.3.6]]/entry/act/entryRelationship/observation/value

Where the following location SHALL be populated with the code for ‘finding’, ‘404684003’

1840 ClinicalDocument/recordTarget/component/structuredBody/component/section[templateId[@root=1.3.6.1.4.1.19376.1.5.3.1.3.6]]/entry/act/entryRelationship/observation/code

These findings SHALL include the associated finding date/times in

ClinicalDocument/recordTarget/component/structuredBody/component/section[templateId[@root=1.3.6.1.4.1.19376.1.5.3.1.3.6]]/entry/act/entryRelationship/observation/effectiveTime

- 1845 The Problem Concern Entry SHOULD include additional problems leading up to the death. Additional problems of interest and timeframes may be further specified by National Extension or jurisdiction.

6.3.1.D2.5.3 Procedures and Interventions Section Condition

6.3.1.D2.5.3.1 Procures and Interventions Entry Condition

- 1850 *Procedure* SHALL include the coded procedure using the following value sets, unless further extended by national extension, where these procedures were performed on the deceased:

To indicate that an autopsy was performed:

- 1855 VRDR Autopsy Procedure Performed 1.3.6.1.4.1.19376.1.7.3.1.1.23.8.1
Autopsy Performed (NCHS) 1.3.6.1.4.1.19376.1.7.3.1.1.23.8.1

For the *Death Pronouncement* Event:

Death Pronouncement Procedure (NCHS) 2.16.840.1.114222.4.11.7274

For the *Death Certification* Event:

Death Certification (NCHS) 1.3.6.1.4.1.19376.1.7.3.1.1.23.8.6

- 1860 In:

.../component/section[templateId[@root=1.3.6.1.4.1.19376.1.5.3.1.1.13.2.11]]/entry/procedure/code

For the *Death Pronouncement* Event AND For the *Death Certification* Event:

The Procedures and Interventions SHALL also indicate the

- 1865 *Provider License* in:

.../component/section[templateId[@root=1.3.6.1.4.1.19376.1.5.3.1.1.13.2.11]]/entry/procedure/performer/assignedEntity/id

Provider Name in:

- 1870 .../component/section[templateId[@root=1.3.6.1.4.1.19376.1.5.3.1.1.13.2.11]]/entry/procedure/performer/assignedEntity/assignedPerson/name

For the *Death Certification* Event:

The Procedures and Interventions SHALL also indicate the

Provider Type in:

1875 using suffix element

In:

.../component/section[templateId[@root=1.3.6.1.4.1.19376.1.5.3.1.1.13.2.11]]/entry/procedure/performer/assignedEntity/associatedPerson/name

1880 Procures and Interventions Entry SHOULD include additional procedures performed leading up to the death. Additional procedures of interest and timeframes may be further specified by National Extension.

6.3.1.D2.5.4 Coded Results Section Condition

6.3.1.D2.5.4.1 Coded Results Entry Condition

1885 Coded Results and associated result date/times SHOULD be included for test results leading up to the death (e.g., Malaria test results). Additional test results of interest and timeframes may be further specified by National Extension.

6.3.1.D2.6 Medical Summary for VRDR (MS-VRDR) Conformance and Example

1890 CDA Release 2.0 documents that conform to the requirements of this document content module shall indicate their conformance by the inclusion of the 1.3.6.1.4.1.19376.1.7.3.1.1.23.2 XML elements in the header of the document.

A CDA Document may conform to more than one template. This content module inherits from the Medical Summary (1.3.6.1.4.1.19376.1.5.3.1.1.2) and so must conform to the requirements of those templates as well this document specification, Medical Summary for VRDR (MS-VRDR) 1.3.6.1.4.1.19376.1.7.3.1.1.23.2.

1895 A complete example of the Medical Summary for VRDR (MS-VRDR) Document Content Module is available on the IHE ftp server at:
ftp://ftp.ihe.net/TF_Implementation_Material/QRPH/VRDR/ReportingDeathInfoExample.xml.

Note that this is an example and is meant to be informative and not normative. This example shows the 1.3.6.1.4.1.19376.1.7.3.1.1.23.2 elements for all of the specified templates.

1900 **6.3.3 CDA Section Content Modules**

Add to Section 6.3.3.10 Section Content Modules

NA, no new Section Content Modules.

6.3.4 CDA Entry Content Modules

Add to Section 6.3.4.E Entry Content Modules

1905 The definitions of the following entry content modules can be found in the IHE PCC CDA supplement located at http://ihe.net/Technical_Frameworks/#pcc.

6.3.4.58 Death Pronouncement Entry Content Module (1.3.6.1.4.1.19376.1.7.3.1.4.23.1)

1910 **6.3.4.59 Death Location Type Entry Content Module (1.3.6.1.4.1.19376.1.7.3.1.4.23.2)**

Add to Section 6.4

6.4 Section not applicable

This heading is not currently used in a CDA document.

1915

Add to Section 6.5

6.5 QRPH Value Sets

1920 The following table describes each of the value sets used to support the VRDR Profile. These are all published by and available from the PHIN Vocabulary Access and Distribution System (PHIN VADS). Each of the value sets below are established as extensional with the discrete values available at the PHIN-VADS URL provided. Version status may change from time-to-time as these value sets are maintained by NCHS, so version number should not be referenced when using these value sets in support of the VRDR Profile. Similarly, associated date related metadata attributes will be changed as a result of value set maintenance activities, and can be obtained at the PHIN-VADS URL provided. VRDR Vocabulary has dynamic binding of value sets. In dynamic binding, the most current version of the value set in the terminology server is used.

1925

6.5.1 Vital Records and Death Reporting (VRDR) Value Sets

Table 6.5.1-1: Value Sets used in the VRDR Profile

Name	Identifier	Purpose	Source	PHIN VADS URL	Groups
Autopsy Performed (NCHS)	1.3.6.1.4.1.19376.1.7.3.1.1.23.8.1	To reflect information on whether an autopsy was performed	SNOME D-CT	https://phinvads.cdc.gov/vads/ViewValueSet.action?oid=1.3.6.1.4.1.19376.1.7.3.1.1.23.8.1	VRDR
Autopsy Not Performed (NCHS)	1.3.6.1.4.1.19376.1.7.3.1.1.23.8.2	To reflect information on whether an autopsy was not performed	SNOME D-CT	https://phinvads.cdc.gov/vads/ViewValueSet.action?oid=1.3.6.1.4.1.19376.1.7.3.1.1.23.8.2	VRDR

IHE Quality, Research and Public Health Technical Framework Supplement – Vital Records
Death Reporting (VRDR)

Name	Identifier	Purpose	Source	PHIN VADS URL	Groups
Death Certification (NCHS)	1.3.6.1.4.1.19 376.1.7.3.1.1.23.8.6	To reflect the certification of death	SNOME D-CT	https://phinvads.cdc.gov/vads/ViewValueSet.action?oid=1.3.6.1.4.1.19376.1.7.3.1.1.23.8.6	VRDR
Discharge Death (NCHS)	1.3.6.1.4.1.19 376.1.7.3.1.1.23.8.4	To reflect information on the discharge disposition for the decedent	HL7	https://phinvads.cdc.gov/vads/ViewValueSet.action?oid=1.3.6.1.4.1.19376.1.7.3.1.1.23.8.4	VRDR
Death Pronouncement Finding (NCHS)	2.16.840.1.11 4222.4.11.7273	To reflect whether the pronouncer reports the pronounced date and time in the problem list	SNOME D-CT	https://phinvads.cdc.gov/vads/ViewValueSet.action?oid=2.16.840.1.114222.4.11.7273	VRDR
Death Pronouncement Procedure (NCHS)	2.16.840.1.11 4222.4.11.7274	When an authorized person views the body and declares that death has occurred.	SNOME D-CT	https://phinvads.cdc.gov/vads/ViewValueSet.action?oid=2.16.840.1.114222.4.11.7274	VRDR
Female Gender (NCHS)	1.3.6.1.4.1.19 376.1.7.3.1.1.13.8.43	To reflect the sex of the deceased as female	HL7 Administrative Gender	https://phinvads.cdc.gov/vads/ViewValueSet.action?oid=1.3.6.1.4.1.19376.1.7.3.1.1.13.8.43	VRDR
Male Gender (NCHS)	1.3.6.1.4.1.19 376.1.7.3.1.1.13.8.42	To reflect the sex of the deceased as male	HL7 Administrative Gender	https://phinvads.cdc.gov/vads/ViewValueSet.action?oid=1.3.6.1.4.1.19376.1.7.3.1.1.13.8.42	VRDR
Place of Death (NCHS)	2.16.840.1.11 4222.4.11.7216	To reflect the death location of the decedent	SNOME D-CT	https://phinvads.cdc.gov/vads/ViewValueSet.action?oid=2.16.840.1.114222.4.11.7216	VRDR
Pregnant	1.3.6.1.4.1.19 376.1.7.3.1.1.13.8.95	To reflect the pregnancy and associated dates with finding	SNOME D-CT	https://phinvads.cdc.gov/vads/ViewValueSet.action?oid=1.3.6.1.4.1.19376.1.7.3.1.1.13.8.95	VRDR

1930

6.6 QRPH Data Mapping to FHIR Resources

The following table shows the mapping of the FHIR Resources supporting the content for each of the VRDR Data Elements/Attributes. Data Responders SHALL support the Resources identified by this table. Data Consumers SHALL be able to retrieve death reporting related health information from the specified resource for one or more attributes.

1935

Table 6.6-1: Required Mappings – Death Reporting Attribute to FHIR Resource

Attribute Name	Death Report Data Element	FHIR Resource Location	FHIR Source Element Name	Notes
DOD (for date) TOD (For Time)	Patient Death Date and Time	Patient.Resource	deceasedDateTime	
AGED	Age at Death	Patient.Resource	birthDate (extension)	This profile constrains the search parameter guidance provided in Patient HL7 Extensions for age as a search parameter. Age at death shall be calculated based on date of death and date of birth.
NLTLY	Nationality of Deceased	Patient.Resource	patient-nationality (extension)	Needed for WHO support
CERTID	Certificate number	Composition.Resource	identifier	
BCID	Birth certificate ID	Composition.Resource	section[0].entry	
BCYR	Birth certificate {birth} year	N/A	Needed for WHO support N/A	
DREG	Date of Death Registration	Composition.Resource	date	
FORMSRC	Source flag	N/A	N/A	
BPLACEST	State or Province of Birth	Composition.Resource	birthplace (extension)	
COD	Cause of Death	Condition.Resource	valueString	where the sequence of events based on the decedent's health history is informed by the conditions
INTERVAL	Onset to death interval for cause of death reported	Condition.Resource	onsetQuantity	where the Onset to Death interval is informed by the conditions
OTHCOD	Cause of Death - Other Significant Conditions	Observation.Resource	valueString	where code = 69441-4 Death Cause Other Significant Conditions, LOINC
CERTADDR	Certifier Address	Practitioner.Resource	Address	
CERT	Certifier Type	Practitioner.Resource	practitionerRole.role	

IHE Quality, Research and Public Health Technical Framework Supplement – Vital Records
Death Reporting (VRDR)

Attribute Name	Death Report Data Element	FHIR Resource Location	FHIR Source Element Name	Notes
CERTIFBY	Death Certified By	Practitioner.Resource	Name	
DOB	Date of Birth (Mo/Day/Yr)	Patient.Resource	birthDate	
BPLACE	Birth Place	Patient.Resource	birthplace (extension)	
MARITAL	Marital Status	Patient.Resource	maritalStatus	
DEDUC	Education level	Observation.Resource	valueCodeableConcept	where code is 80913-7 Highest level of education
DOI	Date of Injury	Observation.Resource	valueCodableConcept	value where code = 69445-5 Injury date, LOINC
PD	Date pronounced Dead	Observation.Resource	Value	where code = 80616-6 Date/time pronounced dead
		Condition.Resource	onsetDateTime	where.code contains valueSet (Death Pronouncement Finding (NCHS) 2.16.840.1.114222.4.11.7273)
		Procedure.Resource	performedDateTime	where code contains valueSet (Death Pronouncement Procedure (NCHS) 2.16.840.1.114222.4.11.7274)
CERTDATE	Death Certificate Signed	Composition.Resource	attester.time	
DETHNIC	Ethnicity	Patient.Resource	us-core-ethnicity	
DECNAME	Decedent's Name Known by Certifier	Patient.Resource	Name	
FSNAME	Father's Surname	RelatedPerson.Resource	Name	Where relationship = FTH Father, HL7 PatientRelationshipType
MMAIDEN	Mother's Maiden Name	Patient.Resource	patient-mothersMaidenName (extension)	Needed for WHO support:
DRACE	Decedent's Race	Patient.Resource	us-core-race	
DOCC	Occupation	Observation.Resource	valueCodeableConcept	Coded value where code = 21843-8^ Usual Occupation ^LN
DIND	Industry	Observation.Resource	valueCodeableConcept.text	
DEMPSTAT	Employment Status	Observation.Resource	valueCodeableConcept.text	

IHE Quality, Research and Public Health Technical Framework Supplement – Vital Records
Death Reporting (VRDR)

Attribute Name	Death Report Data Element	FHIR Resource Location	FHIR Source Element Name	Notes
DADDR	Decedent's Residence	Patient.Resource	address	
INJDESC	Describe how the injury occurred	Observation.Resource	valueCodableConcept	where code = 11374-6 Injury incident description, LOINC
TOBAC	Did tobacco use contribute to death?	Observation.Resource	valueCodableConcept	where code = 69443-0 Did Tobacco Use Contribute to Death, LOINC
DINSTI	Facility Name (Geographic location where the death occurred)	Organization.Resource	Name	Can be used to either provide the name of the facility where the patient died or if the location type is "Other", to provide more detail.
DSTREETADDR	Street address where death occurred if not facility	Location.Resource	address	
		Observation.Resource	valueCodeableConcept	where code 69435-6 Street address where death occurred
PREG	Female pregnancy status at time of death	Observation.Resource	valueCodeableConcept	where code - 69442-2 ^Timing of Recent Pregnancy Related to Death, LOINC
WORKINJ	Injury at Work	Observation.Resource	valueCodeableConcept	where code = 69444-8 Did Death Result from Injury at Work, LOINC
CLICNUM	License Number of Person Certifying Death	Practitioner.Resource	qualification.code	
		Procedure.Resource.Performer.Practitioner	qualification.code	where code contains valueSet (Death Certification (NCHS) 1.3.6.1.4.1.19376.1.7.3.1.1.23.8.6)
PLICNUM	License Number of Person Pronouncing Death	Practitioner.Resource	qualification.code	
		Condition.Resource.Asserter.Practitioner	qualification.code	where.code contains valueSet (Death Pronouncement Finding (NCHS) 2.16.840.1.114222.4.11.7273)
		Procedure.Resource.Performer.Practitioner	qualification.code	where code contains valueSet (Death Pronouncement Procedure (NCHS) 2.16.840.1.114222.4.11.7274)
INJLOCNAR	Injury location Narrative	Observation.Resource	valueCodableConcept	where code = 69447-1 The street address for the place where the injury occurred, LOINC

IHE Quality, Research and Public Health Technical Framework Supplement – Vital Records
 Death Reporting (VRDR)

Attribute Name	Death Report Data Element	FHIR Resource Location	FHIR Source Element Name	Notes
MANNER	Manner of Death	Observation.Resource	valueCodableConcept	where code = 69449-7 manner of death, LOINC
NAMECOD	Name of person completing COD	Composition.Resource.attester.party.Practitioner.Resource	Name	
DPLACE	Place of Death	Observation.Resource	valueCodeableConcept	where code = 58332-8 Location of Death, LOINC
DISP	Method of Disposition	Observation.Resource	valueCodeableConcept	where code = 80905-3 Method of disposition, LOINC
INJPL	Injury location	Observation.Resource	valueCodeableConcept	where code = 71481-6^Place of Injury (NCHS), LOINC
SEX	Sex	Patient.Resource	gender	
PRONOUNCESIG	Signature of Person Pronouncing Death	N/A	N/A	
JURISID	Jurisdiction Person Identifier (e.g., Social Security Number (SSN))	Patient.Resource	identifier	
TOI	Time of Injury	Observation.Resource	valueCodeableConcept	where code = 69445-5 Injury date, LOINC
PD	Time pronounced Dead	Observation.Resource	valueCodeableConcept	where code = 80616-6 Date and time pronounced dead, LOINC
CERTL	Title of Certifier	Procedure.Resource.Performer.Practitioner	practitionerRole.role	where code contains valueSet (Death Certification (NCHS) 1.3.6.1.4.1.19376.1.7.3.1.1.23.8.6)
TRANSPINJ	Injury leading to death associated with transportation event	Observation.Resource	valueCodeableConcept	where code = 69448-9^Injury leading to death associated with transportation event, LOINC
TRANSP	Transportation Role of Decedent	Observation.Resource	valueCodeableConcept	where code = 69451-3 Transportation role of decedent, LOINC
AUTOP		Observation.Resource	valueCodeableConcept	

IHE Quality, Research and Public Health Technical Framework Supplement – Vital Records
 Death Reporting (VRDR)

Attribute Name	Death Report Data Element	FHIR Resource Location	FHIR Source Element Name	Notes
	Was an autopsy performed?	Condition.Resource	Is 'N'	where.code contains valueSet (Autopsy Not Performed (NCHS) 1.3.6.1.4.1.19376.1.7.3.1.1.23.8.2)
		Procedure.Resource	Is 'Y'	where.code contains valueSet (Autopsy Performed (NCHS) 1.3.6.1.4.1.19376.1.7.3.1.1.23.8.1)
REF	Was Medical Examiner or Coroner contacted?	Observation.Resource	valueCodeableConcept	where code = 69438-0 Forensic medicine Referral note, LOINC
AUTO PF	Were autopsy findings available to complete the COD	Observation.Resource	valueCodeableConcept	where code = 69436-4 Autopsy results available, LOINC
PLANG	Primary Language	Patient.Resource.Communication	Language	
BPLACE	Birth Place	Patient.Resource	birthplace (extension)	
NLT Y	Nationality of Deceased	Patient.Resource	Patient-nationality (extension)	Needed for the WHO form to reflect nationality, but may be further constrained by national extension

Appendices

1940 None

Volume 3 Namespace Additions

Add the following terms to the IHE Namespace:

None

1945

1950

Volume 4 – National Extensions

Add appropriate Country section

4 National Extensions

4.1 National Extensions for IHE United States

4.1.1 Comment Submission

1955 This national extension document was authored under the sponsorship and supervision of IHE QRPH with collaboration from the CDC/National Center for Health Statistics who welcome comments on this document and the IHE USA initiative. Comments should be directed to http://ihe.net/QRPH_Public_Comments.

4.1.2 Vital Records Death Reporting (VRDR)

4.1.2.1 VRDR US Volume 1 Constraints

4.1.2.1.1 VRDR Actors and Options US Constraints

1965 The US National Extension constrains the actors and options defined in QRPH TF-1: Table X.2-1: VRDR - Actors and Options. Death reporting in the US requires that State Jurisdictions support the following Profile Options for message transactions that will be conducted with NCHS and Provider information sources. Information is also provided for prospective Infrastructure/HIE communications that may serve to facilitate some of these communications.

Table 4.1.2.1.1-1: VRDR - Actors and Options

Business Actor	Actor	Optionality	Option Name	Reference
State Vital Records	Form Receiver Message Exporter	O ^{Note 1}	Provider Supplied Death Information Option	QRPH TF-1: X.2.1.4
		O ^{Note 2}	Jurisdiction Death Information Option	QRPH TF-1: X.2.1.5
	Form Processor	O ^{Note 1}	None	QRPH TF-1: X.1.1.6
	Information Source	O ^{Note 2}	Jurisdiction Death Information Option	QRPH TF-1: X.2.1.5
		R	Void Certificate Reporting Option	QRPH TF-1: X.2.1.6
	Information Recipient	O ^{Note 1}	Provider Supplied Death Information Option	QRPH TF-1: X.2.1.4
		R	Coded Cause of Death Option	QRPH TF-1: X.2.1.7
		R	Coded Race / Ethnicity	QRPH TF-1: X.2.1.8
	National Center for Health Statistics (NCHS)	Information Recipient	R	Jurisdiction Death Information Option

IHE Quality, Research and Public Health Technical Framework Supplement – Vital Records
Death Reporting (VRDR)

Business Actor	Actor	Optionality	Option Name	Reference
		R	Void Certificate Reporting Option	QRPH TF-1: X.2.1.6
	Information Source	R	Coded Cause of Death Option	QRPH TF-1: X.2.1.7
		R	Coded Race / Ethnicity	QRPH TF-1: X.2.1.8
HIE	Form Receiver Message Exporter	O	Provider Supplied Death Information Option	QRPH TF-1: X.2.1.4
		O	Jurisdiction Death Information Option	QRPH TF-1: X.2.1.5
	Information Source	O	Provider Supplied Death Information Option	QRPH TF-1: X.2.1.4
	Information Recipient	O	Provider Supplied Death Information Option	QRPH TF-1: X.2.1.4
		O	Jurisdiction Death Information Option	QRPH TF-1: X.2.1.5
		O	Void Certificate Reporting Option	QRPH TF-1: X.2.1.6
		O	Coded Cause of Death Option	QRPH TF-1: X.2.1.7
		O	Coded Race / Ethnicity	QRPH TF-1: X.2.1.8

1970 Note 1 The State Vital Records System SHOULD implement one or more of the Form Processor, Form Receiver Message Exporter, Form Processor Message Exporter [Provider Supplied Death Information Option OR Jurisdiction Death Information Option], or the Information Recipient [Provider Supplied Death Information Option in order to collect Provider Supplied Death Information.

1975 Note 2 The State Vital Records System SHALL implement the Form Receiver Message Exporter [Jurisdiction Death Information Option], the Form Processor Message Exporter [Jurisdiction Death Information Option], or the Information Source [Jurisdiction Death Information Option] in order to communicate State Registry information to NCHS.

4.1.2.1.2 Data Elements Constraints

1980 The civil registration system in the United States is decentralized. The responsibility for registration of vital events is managed by the individual states that have complete autonomy in their registration requirements. There is no national registration office. The system is coordinated by the Centers for Disease Control and Prevention’s (CDC) National Center for Health Statistics (NCHS), which is responsible for setting standards and guidelines. These are generally adopted voluntarily by the jurisdictions, and support national compilation of vital statistics. There is variation from state to state with regard to the specific attributes collected, in some cases due to

1985 restrictions in state law, and in some cases due to variation in statistical monitoring conducted within a given state.

The following data elements identified in this profile are not relevant for reporting to NCHS and may be omitted from QRPH-38 messages, QRPH-47 messages, the Vital Records Death Reporting Document (VRDR), and the Medical Summary for VRDR Pre-pop (MS-VRDR).

1990 These MAY be optionally included by any local jurisdiction to support provider reporting where applicable:

- Mother’s Maiden Name
- Language
- Nationality of the Deceased

1995 All other data elements that are defined in Table 4.1.2.3.1.2-1: US National Constraints to VRDR Form Element Mapping Specification SHALL be collected unless otherwise further constrained by the jurisdictional requirements.

4.1.2.2 VRDR US Volume 2 Constraints

2000 In the International realm, the following segments are required if known. In the US, Diagnoses, Procedures, and Test Results are captured in order to inform statistics and to inform clinicians in determining the cause of death. Diagnoses, Procedures, and Test Results are NOT used for the US National Extension. These MAY be optionally included by any local jurisdiction to support provider reporting where applicable.

As a result, the following message semantics are modified for the US National Extension:

2005 The US National Extension constrains the VRDRFeed [QRPH-38] message defined in QRPH TF-2: Table 3.38.4.1.2-2: VRDRFeed Constraints on the HL7 VRDR V2.6 IG Message Profile Use Cases. The table below shows the optionality per segment for each of the VRDR options for the US National Extension.

Table 4.1.2.2-1: US National Extension constrains on VRDRFeed [QRPH-38]

Segment	Name	Segment repeat-able (Y/N)	Optionality					See Section
			PSDI	JDI	JDI-VOID	CCOD	CREI	
OBX	Observation/Result	Y	R	R	O	R	R	4.38.4.1.2.11
DG1	Diagnosis Information	Y	O	O	O	O	O	4.38.4.1.2.13
[{	<i>Procedure Begin</i>	Y						
PR1	Procedure	N	O	O	O	O	O	4.38.4.1.2.15
ROL	Role	Y	O	O	O	O	O	4.38.4.1.2.24
[{	<i>Procedure End</i>	N/A						
[{	<i>Insurance End</i>	N/A						

IHE Quality, Research and Public Health Technical Framework Supplement – Vital Records
 Death Reporting (VRDR)

Segment	Name	Segment repeat-able (Y/N)	Optionality					See Section
			PSDI	JDI	JDI-VOID	CCOD	CREI	
ACC	Accident Information	N	O	O	O	O	O	4.38.4.1.2.20

2010 The following table shows the optionality for the PID segment that differ for the US National Extension

Table 4.1.2.2-2: US National Constraints to VRDRFeed - PID segment

SEQ	LEN	DT	OPT					TBL#	ITEM#	ELEMENT NAME	Description/ Comments
			PSDI	JDI	JDI – VOID	CCOD	CREI				
3	250	CX	R	R	R	R	R		00106	Patient Identifier List	<p>Field used to convey all types of patient/person identifiers. It is expected that Social Security Number will be provided if it is available.</p> <p>This field is also used to support identifiers for the death certificate.</p> <p>Business Rule: If SSN cannot be included, one of the following null flavor values should be used:</p> <p>“NA” should be used when there is no SSN, as in non-US citizens, and newborns.</p> <p>“”UNK” should be used when the SSN is unknown and the informant cannot provide it, as in reporting the death of an unidentified person.</p> <p>“OTH” should be used when a social security number was provided and later determined to be not valid</p> <p>The value “99999999” may continue to be used for persons who do not have a social security number.</p> <p>Conformance Statement: PID.3.5 (Identifier Type Code) shall be valued with one of the following values from the Death Reporting Identifier Type (NCHS) value set: SS, DC, or DCFN.</p>
6	250	XPN	O	O	O	O	O		00109	Mother’s Maiden Name	<p>These MAY be optionally included by any local jurisdiction to support provider reporting where applicable</p>

IHE Quality, Research and Public Health Technical Framework Supplement – Vital Records Death Reporting (VRDR)

SEQ	LEN	DT	OPT					TBL#	ITEM#	ELEMENT NAME	Description/ Comments
			PSDI	JDI	JDI – VOID	CCOD	CREI				
											When the attribute is populated, the VRDR Information receiver shall either accept this information or ignore the attribute, but SHALL NOT raise an application error
10	250	CE	O	R	O	O	R	0005	00113	Race	Race information for the decedent.
15	250	CE	O	O	O	O	O	0296	00118	Primary Language	These MAY be optionally included by any local jurisdiction to support provider reporting where applicable. When the attribute is populated, the VRDR Information receiver shall either accept this information or ignore the attribute, but SHALL NOT raise an application error
22	250	CE	O	R	O	O	R	NCHS Ethnicity Group (NCHS), NCHS Ethnicity Detail (NCHS)	00125	Ethnic Group	Information regarding the Hispanic origin of the decedent.
23	250	ST	O	O	O	O	O		00126	Birth Place	These MAY be optionally included by any local jurisdiction to support provider reporting where applicable
26	250	CE	O	O	O	O	O	0171	00129	Citizenship	These MAY be optionally included by any local jurisdiction to support provider reporting where applicable

2015 **4.1.2.3 VRDR US Volume 3 Constraints**

4.1.2.3.1 VRDR Pre-Population Specification for U.S. Standard Certificate of Death

2020 Death reporting is a process for creating the legal record of a decedent and the process is subject to state or jurisdictional and international laws and regulations. Other uses of the information (e.g., statistical and public health) are byproducts of this process. Because a legal document is being created, concerns about capture in the native EHR are about verifying information, obtaining legally recognized signatures, making corrections, and how to handle transfers of responsibility when necessary.

2025 The data that may be pre-populated for US vital records purposes has been limited, as described in Table 4.1.2.3.1.2-1: Form Element Mapping Specification, to a very small subset of requirements based on an agreement between key vital records stakeholders. However, individual US vital records jurisdictions may decide to support more broad-based sharing of death related information

4.1.2.3.1.1 VRDR Data Element Index

2030 A relevant data set for death record content reporting includes those elements identified within the US efforts under the CDC/National Center for Health Statistics (NCHS) that can be computed from data elements in the electronic health record. The VRDR Summary CDA mapping rules described below overlays these data elements typically presented to the death registrar. This Derived Data Element Index specifies which sections are intended to cover which domains, the value sets to be used to interpret the Summary CDA Document content, and rules for examining Summary CDA content to determine whether or not the data element is satisfied. These rules may specify examination of one or more Summary CDA Document locations to make a determination of the data element result. The list includes derived data elements that compose knowledge concepts not currently represented in standards, most of which are optional. Where such standards do not exist, the Form Manager will enhance with non-standard fields.

2040 Any Summary CDA document may be used to populate the form.

4.1.2.3.1.2 VRDR Form Manager Pre-population Data Element Mapping Specification

2045 Sets of detailed specifications have been developed for collecting and reporting the items on the U.S. Standard Certificate of Death. It is critical that all U.S. vital registration areas follow these standards to promote uniformity in data collection across registration areas. The best sources to collect the information for specific data items are identified in the Death Edit Specifications for the 2003 Revision of the U.S. Standard Certificate of Death.

2050 The US National Extension constrains the pre-population support defined in QRPH TF-3: Table 6.3.1.D1.4.3-2 Data Element Requirement Mappings to Form Pre-population. Table 4.1.2.3.1.2-1 describes the US domain mapping to the VRDR data elements and the form for the U.S. Standard Certificate of Death. It also indicates attributes that are permissible in the US for pre-

2055 population and those that require data entry. Further edit specifications are in the Edit Specifications for the 2003 Revision of the U.S. Standard Certificate of Death (http://www.cdc.gov/nchs/data/dvs/death_edit_specifications.pdf). Mapping to these attributes is also provided below. For the US, all of the data elements are required as indicated on the U.S. Standard Certificate of Death. Form Managers SHALL support direct data entry to offer the opportunity to modify all pre-populated information before it is submitted to VR systems.

Table 4.1.2.3.1.2-1: US National Constraints to VRDR Form Element Mapping Specification

US Death Certificate Form Question	Description	Mapping to US Death Certificate Form Number	US Requirements for Direct Data Entry or Pre-populate	VRDR Data Element
Patient Death Date and Time	Calendar date when decedent died.	29	Pre-populate	DOD_YR
				DOD_MO
				DOD_DY
Patient Death Date and Time	Clock time when decedent died. The Death Edit Specifications for the 2003 Revision of the U.S. Standard Certificate of Death indicates that the Time of Death (hour and minute) should be stated using a 24-hour clock.	30	Pre-populate	TOD
Cause of Death (Immediate)	Causes of death are diseases, abnormalities, injuries, or poisonings that contributed directly or indirectly to death. In this section of the cause of death statement, the certifier reports the immediate cause (final disease or condition resulting in death. Cause of death reported on line a, Part I	32	Data Entry Required	

IHE Quality, Research and Public Health Technical Framework Supplement – Vital Records
Death Reporting (VRDR)

US Death Certificate Form Question	Description	Mapping to US Death Certificate Form Number	US Requirements for Direct Data Entry or Pre-populate	VRDR Data Element
Cause of Death (Intermediate and Underlying)	<p>In this section of the cause of death statement, a chain of events that result in death are reported. The conditions are listed sequentially, if any lead to the immediate cause of death. The number of conditions reported will vary according to the individual death.</p> <p>Cause of Death - Chain Of Events Cause of death reported on line b, Part I Cause of death reported on line c, Part I Cause of death reported on line d, Part I</p>	32 Part I.	Data Entry Required	
<p>Onset to death interval for cause of death reported on line a, Part I Onset to death interval for cause of death reported on line b, Part I Onset to death interval for cause of death reported on line c, Part I Onset to death interval for cause of death reported on line d, Part I</p>	<p>An interval between onset and death is reported for each of the conditions in Part I.</p> <p>The other section of the cause of death statement is for reporting other conditions that contributed to death but were not part of the chain of events reported in Part I.</p>	32 Part I.	Data Entry Required	<p>CODIa CODIb CODIc CODId</p> <p>INTIa INTIb INTIc INTId</p>
Cause of Death - Other Significant Conditions		32 Part II.	Data Entry Required	CODII
Death Certifier	Death Certifier (Type)	45	Data Entry Required	CERT CERTL
Name of person completing COD	Name of the person completing the cause of death (item 32 on the U.S. Standard Certificate of Death)	46		
Certifier Address	Address of the person completing the cause of death (item 32 on the U.S. Standard Certificate of Death)	46		
Certifier signature	Certifier's signature. Depending on jurisdictional law, the signature may be electronic approval, an approval button, or other method for indicating acceptance in place of a physical signature.	45	Data Entry Required	

IHE Quality, Research and Public Health Technical Framework Supplement – Vital Records
Death Reporting (VRDR)

US Death Certificate Form Question	Description	Mapping to US Death Certificate Form Number	US Requirements for Direct Data Entry or Pre-populate	VRDR Data Element
Date certified	Calendar date when the death record is certified	49	Data Entry Required	CERT_YR CERT_MO CERT_DY
Date of Birth (Mo/Day/Yr)	Calendar date when decedent was born	5	Pre-populate	DOB_YR DOB_MO DOB_DY
Date of Injury	Actual or presumed date when decedent sustained injury	38 (Date) 39 (Time)	Data Entry Required	DOI_YR DOI_MO DOI_DY
Date pronounced Dead	Month, day and year decedent was pronounced dead.	24 (Date) 25 (Time)	Data Entry Required	PD_YR PD_MO PD_DY
Date Signed	Date the death record is signed by the person that pronounces death	26	Data Entry Required	SIGN_YR SIGN_MO SIGN_DAY
Decedent of Hispanic Origin (Ethnicity)	Hispanic origin of the decedent. The primary source for this data element is the funeral director and/or next of kin. Any information for these data elements that comes from the EHR may be changed by the funeral director or next of kin. However, the EHR may also serve as a resource for documenting race and ethnicity information to inform the content of this attribute.	52	Data Entry Required.	DETHNIC1 DETHNIC2 DETHNIC3 DETHNIC4 DETHNIC5
Decedent's Name Known by Certifier	Current legal name of the decedent including first name, middle name, last name, suffixes, and AKAs would be useful; however, name as known for decedent is sufficient.	1	Pre-populate	GNAME MNAME LNAME SUFF ALIAS
Decedent's Race	Race(s) that best describes what the decedent considered himself/herself to be. The primary source for this data element is the funeral director and/or next of kin. Any information for these data elements that comes from the EHR may be changed by the funeral director or next of kin. However, the EHR may also serve as a resource for documenting race and ethnicity information to inform the content of this attribute.	53	Data Entry Required.	RACE1- RACE23

IHE Quality, Research and Public Health Technical Framework Supplement – Vital Records
Death Reporting (VRDR)

US Death Certificate Form Question	Description	Mapping to US Death Certificate Form Number	US Requirements for Direct Data Entry or Pre-populate	VRDR Data Element
Decedent's Residence	The geographic location of the decedent's residence.	7a-7f	Data Entry Required	STNUM PREDIR STNAME STDESIG POSTDIR UNUM CITY ZIP COUNTY COUNTRY
Describe how the injury occurred	Information on how the injury occurred is requested in narrative form	43	Data Entry Required	LINJURY
Did tobacco use contribute to death?	A clinical opinion on whether tobacco use contributed to the decedent's death.	35	Data Entry Required	TOBAC
Facility Name (Geographic location where the death occurred)	The facility name at the geographic location where the death occurred.	15	Pre-populate	DINSTI
Street address where death occurred if not facility	The facility name is provided when the death occurs in an institution. If not in an institution, the geographic location where the death occurred is provided including the street & number.	15	Data Entry Required	DINSTI DSTNUM DSTNAME DSTDESIG DNAME DSTATE DZIP9 COD
Female pregnancy status at time of death	Item for females that requests information on the pregnancy status of the deceased woman within the last year of her life	36	Data Entry Required	PREG
Injury at Work	Information on whether or not an injury to the deceased indicated on the death certificate occurred at work.	41	Data Entry Required	WORKINJ
License Number of Person Certifying Death	License number of person certifying the cause of death.	48	Data Entry Required	CLICNUM
License Number of Person Pronouncing Death	License number of person pronouncing death (includes whether licensed and state determined)	27	Data Entry Required	PLIC PPROF PLICNUM

IHE Quality, Research and Public Health Technical Framework Supplement – Vital Records
Death Reporting (VRDR)

US Death Certificate Form Question	Description	Mapping to US Death Certificate Form Number	US Requirements for Direct Data Entry or Pre-populate	VRDR Data Element
Injury location Narrative	The street address for the place where the injury occurred	42	Data Entry Required	ISTNUM IPREDIR ISTNAME ISTDESIG IPOSTDIR IUNUM IPNAME IZIP9 ISTATE
Manner of Death	An item where the certifying physician, medical examiner or coroner identifies the manner or how the deceased died	37	Data Entry Required	MANNER
Name of person completing COD	Name of the person completing the cause of death	46	Data Entry Required	
Place of Death	The physical location where the decedent died.	14	Data Entry Required	DPLACE
Place of Injury	Requests information on the type of place where an injury occurred	40	Data Entry Required	INJPLL
Sex	The sex of the deceased.	2	Pre-populate	SEX
Signature of Person Pronouncing Death	The signature of the person who pronounced death and signed the death record. Depending on jurisdictional law, the signature may be electronic approval, an approval button, or other method for indicating acceptance in place of a physical signature.	26	Data Entry Required	
Jurisdiction Person Identifier (e.g., Social Security Number (SSN))	The Jurisdiction Person Identifier (e.g., social security number) of the deceased.	3	Pre-populate	
Time of Injury	Actual or presumed time of injury. The Death Edit Specifications for the 2003 Revision of the U.S. Standard Certificate of Death indicates that the Time of Injury (hour and minute) should be stated using a 24-hour clock.	39 (Time) 38 (Date)	Data Entry Required	TOI_HR
Time pronounced Dead	Hour and minute decedent was pronounced dead.	30 (Time) 29 (Date)	Data Entry Required	TD

US Death Certificate Form Question	Description	Mapping to US Death Certificate Form Number	US Requirements for Direct Data Entry or Pre-populate	VRDR Data Element
Title of Certifier	Medical professional label used to signify a professional role or membership in a professional society	47	Data Entry Required	
Transportation Injury	Information on the role of the decedent involved in a transportation accident.	44	Data Entry Required	TRANSP TRANSPL (literal)
Was an autopsy performed?	Information on whether or not an autopsy was performed	33	Data Entry Required	AUTOP
Was Medical Examiner or Coroner contacted?	Item records whether the medical examiner or coroner was contacted in reference to this case	31	Data Entry Required	REF
Were autopsy findings available to complete the COD	Information on whether or not the findings of the autopsy were available for completing the medical portion of the death certificate	34	Data Entry Required	AUTOPF

2060 **4.1.2.3.2 VRDR CDA Specification for U.S. Standard Certificate of Death**

The Following constraints apply for the US National extension:

- The Document code for the Vital Records Death Reporting (VRDR) Document Content Module defined in Volume 3 SHALL be:
 - 69409-1 U.S. standard certificate of death - 2003 revision, LOINC.

- 2065
- Data flowing from the provider system to the Jurisdiction SHALL support the Provider Death Registration Document (2.16.840.1.113883.10.20.26.1.1.1) template.
 - Data flowing from the Jurisdiction to NCHS SHALL support the Jurisdiction Death Information Document (2.16.840.1.113883.10.20.26.1.1.2) template.