



5 **IHE Quality, Research and Public Health  
Technical Framework Supplement**

10 **Healthy Weight  
(HW)**

15 **Rev. 2.2 – Trial Implementation**

20 Date: September 27, 2017  
Author: QRPH Technical Committee  
Email: qrph@ihe.net

25 **Please verify you have the most recent version of this document. See [here](#) for Trial Implementation and Final Text versions and [here](#) for Public Comment versions.**

## Foreword

30 This is a supplement to the IHE Quality, Research and Public Health (QRPH) Technical Framework. Each supplement undergoes a process of public comment and trial implementation before being incorporated into the volumes of the Technical Frameworks.

This supplement is published on September 27, 2017 for trial implementation and may be available for testing at subsequent IHE Connectathons. The supplement may be amended based on the results of testing. Following successful testing it will be incorporated into the Quality, 35 Research and Public Health Technical Framework. Comments are invited and can be submitted at [http://www.ihe.net/QRPH\\_Public\\_Comments](http://www.ihe.net/QRPH_Public_Comments).

This supplement describes changes to the existing technical framework documents.

“Boxed” instructions like the sample below indicate to the Volume Editor how to integrate the relevant section(s) into the relevant Technical Framework volume.

40 

<i>Amend Section X.X by the following:</i>
--

Where the amendment adds text, make the added text **bold underline**. Where the amendment removes text, make the removed text **~~bold strikethrough~~**. When entire new sections are added, introduce with editor’s instructions to “add new text” or similar, which for readability are not bolded or underlined.

45

General information about IHE can be found at [www.ihe.net](http://www.ihe.net).

Information about the IHE QRPH domain can be found at [http://www.ihe.net/IHE\\_Domains](http://www.ihe.net/IHE_Domains).

Information about the organization of IHE Technical Frameworks and Supplements and the process used to create them can be found at [http://www.ihe.net/IHE\\_Process](http://www.ihe.net/IHE_Process) and 50 <http://www.ihe.net/Profiles>.

The current version of the IHE QRPH Technical Framework can be found at: [http://www.ihe.net/Technical\\_Frameworks](http://www.ihe.net/Technical_Frameworks).

55 **CONTENTS**

	Introduction to this Supplement.....	7
	Open Issues and Questions .....	9
	Closed Issues.....	12
60	General Introduction .....	15
	Appendix A – Actor Summary Definitions .....	15
	Appendix B – Transaction Summary Definitions.....	15
	Glossary .....	15
	<b>Volume 1 – Profiles .....</b>	<b>17</b>
65	Copyright Licenses.....	17
	X Healthy Weight (HW) Profile .....	17
	X.1 HW Actors, Transactions, and Content Modules.....	18
	X.1.1 Actor Descriptions and Actor Profile Requirements.....	20
	X.1.1.1 Form Filler .....	20
70	X.1.1.2 Form Manager .....	20
	X.1.1.3 Form Receiver .....	21
	X.1.1.4 Form Receiver CDA Exporter .....	21
	X.1.1.5 Form Receiver Message Exporter .....	21
	X.1.1.6 Form Processor .....	22
75	X.1.1.7 Form Archiver .....	22
	X.1.1.8 Information Source .....	22
	X.1.1.9 Information Recipient.....	23
	X.1.1.10 Content Creator.....	23
	X.1.1.11 Content Consumer .....	23
80	X.2 HW Actor Options .....	23
	X.2.1 Form Filler Options .....	24
	X.2.1.1 Summary Document Pre-Pop Option .....	24
	X.2.1.2 HW Enhanced Pre-Pop Option.....	24
	X.2.1.3 Archive Form Option.....	25
85	X.2.1.4 Occupational Health Extension Option .....	25
	X.2.1.5 Occupational Health Extension Discrete Data Import .....	25
	X.3 HW Required Actor Groupings.....	25
	X.4 HW Overview .....	25
	X.4.1 Concepts .....	25
90	X.4.2 Use Cases .....	26
	X.4.2.1 Use Case #1: Forms Data Capture with Messaging .....	29
	X.4.2.1.1 Forms Data Capture with Messaging Use Case Description.....	29
	X.4.2.1.2 Forms Data Capture with Messaging Process Flow .....	29
	X.4.2.2 Use Case #2: Forms Data Capture with Document Submission .....	30
95	X.4.2.2.1 Forms Data Capture with Document Submission Use Case Description..	30
	X.4.2.2.2 Forms Data Capture with Document Submission Process Flow .....	31

	X.4.2.3 Use Case #3: Native Forms Data Capture .....	31
	X.4.2.3.1 Native Forms Data Capture Use Case Description.....	32
	X.4.2.3.2 Native Forms Data Capture Process Flow .....	32
100	X.4.2.4 Use Case #4: HW Messaging .....	33
	X.4.2.4.1 HW Messaging Use Case Description.....	33
	X.4.2.4.2 HW Messaging Process Flow .....	34
	X.4.2.5 Use Case #5: HWS Document Submission.....	34
105	X.4.2.5.1 HWS Document Submission Use Case Description.....	34
	X.4.2.5.2 HWS Document Submission Process Flow .....	34
	X.5 HW Security Considerations.....	35
	X.5.1 Security Audit Considerations – Retrieve Form [ITI-34] (ADT) .....	36
	X.5.2 Security Audit Considerations – Submit Form [ITI-35] audit messages .....	36
	X.5.3 Security Audit Considerations – Archive Form [ITI-36] audit messages.....	36
110	X.6 HW Cross Profile Considerations .....	36
	X.6.1 XDS.b, XDM, or XDR – Cross Enterprise Document Sharing.b, Cross Enterprise Document Media Interchange, or Cross Enterprise Document Reliable Interchange.....	36
	X.6.2 Sharing Value Set (SVS).....	37
	X.7 Data elements .....	37
115	Appendices.....	38
	Appendix A – Sample Healthy Weight Form.....	38
	Appendix B – Data Elements.....	42
	Appendix C – Body Mass Index Concepts .....	48
	<b>Volume 2 – Transactions .....</b>	<b>50</b>
120	3.39 HWFeed [QRPH-39].....	50
	3.39.1 Scope .....	50
	3.39.2 Actor Roles.....	50
	3.39.3 Referenced Standards .....	51
	3.39.4 Interaction Diagram.....	51
125	3.39.4.1 HWFeed [QRPH-39] .....	51
	3.39.4.1.1 Trigger Events .....	51
	3.39.4.1.2 Message Semantics.....	52
	3.39.4.1.2.1 MSH Segment.....	53
	3.39.4.1.2.2 EVN Segment .....	55
130	3.39.4.1.2.3 PID Segment .....	55
	3.39.4.1.2.4 PD1 Patient Demographic Segment.....	59
	3.39.4.1.2.5 NTE Segment.....	59
	3.39.4.1.2.6 NK1 Segment.....	59
	3.39.4.1.2.7 PV1 Segment .....	59
135	3.39.4.1.2.8 PV2 Segment .....	60
	3.39.4.1.2.9 OBR Segment .....	60
	3.39.4.1.2.10 OBX Segment .....	63
	3.39.4.1.3 Expected Actions .....	67
	3.39.4.1.3.1 ACK .....	67

140	3.39.4.1.4 Sample Message .....	67
	3.39.5 Security Considerations.....	68
	3.39.5.1 Security Audit Considerations.....	68
	3.39.5.1.1 HWFeed [QRPH-39] (ORU^R01) Security Audit Considerations .....	68
	3.39.5.1.1.1 Information Source Actor audit message:.....	68
145	3.39.5.1.1.2 Information Recipient Actor audit message: .....	70
	3.39.5.1.1.3 Form Receiver Message Exporter Actor audit message: .....	72
	Appendices.....	74
	Volume 2 Namespace Additions .....	74
	<b>Volume 3 – Content Modules.....</b>	<b>75</b>
150	5 Namespaces and Vocabularies.....	75
	6 Content Modules.....	76
	6.3.1 CDA Document Content Modules .....	76
	6.3.1.D1 Healthy Weight Summary (HWS) Document Content Module.....	76
	6.3.1.D1.1 Format Code .....	76
155	6.3.1.D1.2 Parent Template .....	76
	6.3.1.D1.3 Referenced Standards .....	76
	6.3.1.D1.4 Data Element Requirement Mappings.....	76
	6.3.1.D1.4.1 Data Element Requirement Mappings to CDA.....	76
	6.3.1.D1.4.2 Data Element Requirement Mappings to Message: HWFeed [QRPH-39] Transaction (Normative) .....	92
160	6.3.1.D1.5 Healthy Weight Summary (HWS) Document Content Module Specification .....	99
	6.3.1.D1.5.1 Medications Section Vocabulary Constraints .....	101
	6.3.1.D1.5.2 Coded Social History Section Vocabulary Constraint.....	101
165	6.3.1.D1.5.2.1 Education Level .....	101
	6.3.1.D1.5.2.2 Household Income .....	103
	6.3.1.D1.5.2.3 Nutritional History .....	103
	6.3.1.D1.5.2.4 Physical Activity .....	110
	6.3.1.D1.5.2.5 Screen Time.....	111
170	6.3.1.D1.5.2.6 Sleep.....	113
	6.3.1.D1.5.2.7 Readiness for Change.....	114
	6.3.1.D1.5.2.8 Pregnancy Status .....	114
	6.3.1.D1.5.3 Payers Section Vocabulary Constraints .....	115
	6.3.1.D1.5.4 Coded Vital Signs Section Vocabulary Constraints .....	115
175	6.3.1.D1.5.5 Active Problems Section Vocabulary Constraints .....	119
	6.3.1.D1.5.6 Procedures and Interventions Section Vocabulary Constraints .....	119
	6.3.1.D1.5.7 Coded Family Medical History Section Vocabulary Constraints..	120
	6.3.1.D1.5.8 Coded Results Section Vocabulary Constraints.....	120
	6.3.1.D1.6 HW Conformance and Example.....	120
180	6.3.1.D2 Medical Summary for Healthy Weight (MS-HW) Pre-Pop Document Content Module.....	121
	6.3.1.D2.1 Format Code .....	121

	6.3.1.D2.2 Parent Template .....	121
	6.3.1.D2.3 Referenced Standards .....	121
185	6.3.1.D2.4 Data Element Requirement Mappings to CDA .....	121
	6.3.1.D2.5 Medical Summary for Healthy Weight Pre-Pop (MS-HW) Content Module Specification .....	123
	6.3.1.D2.6 MS-HW Conformance and Example .....	125
	6.3.2 CDA Header Content Modules .....	126
190	6.3.2.H Healthy Weight (HWS and MS-HW) Header Content Module .....	126
	6.3.2.H.1 Personal Information: ethnicity Vocabulary Constraint .....	126
	6.3.2.H.2 Personal Information: race Vocabulary Constraint .....	126
	6.3.2.H.3 Personal Information: gender Vocabulary Constraint .....	126
	6.3.2.H.4 Personal Information: gender Vocabulary Constraint .....	126
195	6.3.3 CDA Section Content Modules .....	127
	6.3.3.10.3 Resources to Support Goals Section 1.3.6.1.4.1.19376.1.7.3.1.3.24.1 ...	127
	6.3.3.10.4 Healthy Weight Care Plan Section 1.3.6.1.4.1.19376.1.7.3.1.3.24.2 .....	127
	6.3.3.10.5 Occupational Data for Health Section 1.3.6.1.4.1.19376.1.5.3.1.3.37 ...	127
	6.3.3.10.5.1 Occupational Data for Health Section < 74166-0> .....	128
200	6.3.4 CDA Entry Content Modules .....	129
	6.3.4.64 Employment Status Observation Entry .....	130
	6.3.4.66 Past or Present Occupation Observation Entry .....	132
	6.3.4.67 Work Schedule Observation Entry .....	134
	6.3.4.68 Weekly Work Hours Observation Entry .....	136
205	6.3.4.69 Usual Occupation Duration Entry .....	137
	6.3.4.70 Usual Industry Duration Entry .....	138
	6.3.4.74 Weekly Work Days Observation Entry .....	139
	6.3.4.xx Usual Occupation Observation Entry .....	140
	6.3.4.yy Past or Present Industry Observation Entry .....	141
210	6.3.4.zz Job Employment Type Observation Entry .....	143
	6.3.4.aa Usual Industry Observation Entry .....	144
	6.4 Section not applicable .....	145
	6.5 QRPH Value Sets .....	145
	Appendices .....	146
215	Appendix A – Healthy Weight Value Sets .....	146
	A.1 HW Coding Systems .....	146
	A.1.1 SNOMED-CT Metadata .....	146
	A.1.2 RxNORM .....	146
	A.1.3 HL7 .....	146
220	A.1.4 LOINC .....	147
	A.1.5 FIPS 5-2 .....	147
	A.1.6 NUBC .....	147
	A.2 Specification of Value Sets used in the HW Profile .....	147
	Volume 3 Namespace Additions .....	149

225

## Introduction to this Supplement

This supplement is written for trial implementation. It is written as an addition to the Quality, Research and Public Health Technical Framework.

230 This supplement also references and draws upon the following documents<sup>1</sup>. The reader should review these documents as needed:

1. PCC Technical Framework, Volume 1
2. PCC Technical Framework, Volume 2
3. PCC Technical Framework Supplement: CDA<sup>®2</sup> Content Modules
4. IT Infrastructure Technical Framework Volume 1
- 235 5. [IT Infrastructure Technical Framework Volume 2](#)
6. [IT Infrastructure Technical Framework Volume 3](#)
7. HL7<sup>®3</sup> and other standards documents referenced in Volume 1 and Volume 2
8. Institute of Medicine (2010). Bridging the Evidence Gap in Obesity Prevention: A Framework to Inform Decision Making. Washington, DC, The National Academies Press.
- 240 9. Barlow, S.E. and the Expert Committee (2007). "Expert Committee Recommendations Regarding the Prevention, Assessment, and Treatment of Child and Adolescent Overweight and Obesity: Summary Report." Pediatrics 120 (Supplement\_4): S164-192.
- 245 10. Krebs NF, Himes JH, Jacobson D, Nicklas TA, Guilday P, Styne D. Assessment of Child and Adolescent Overweight and Obesity. Pediatrics Dec 2007; 120:S4 S193-S228.
11. Pediatric Nutrition Handbook (2008). 6th ed. Kleinman RE, ed. Elk Grove, Village, IL: American Academy of Pediatrics
12. Screening for and Management of Obesity in Adults, Topic Page. U.S. Preventive Services Task Force. <http://www.uspreventiveservicestaskforce.org/uspstf/uspsobes.htm>
- 250 13. [Clinical Guidelines on the Identification, Evaluation, and Treatment of Overweight and Obesity in Adults, The Evidence Report. September 1998. US Department of Health and](#)

---

<sup>1</sup> The first six documents can be located on the IHE Website at [http://ihe.net/Technical\\_Frameworks](http://ihe.net/Technical_Frameworks). The remaining documents can be obtained from their respective publishers.

<sup>2</sup> CDA is the registered trademark of Health Level Seven International.

<sup>3</sup> HL7 is the registered trademark of Health Level Seven International.

[Human Services Public Health Service, National Institutes of Health, National Heart, Lung, and Blood Institute. NIH Publication No. 98-4083.](#)

- 255 14. US Health Information Technology Rules and Regulations - Meaningful Use:  
<http://www.healthit.gov/policy-researchers-implementers/meaningful-use>
15. Measurement site from NHANES:  
[http://www.cdc.gov/nchs/data/nhanes/nhanes\\_09\\_10/BodyMeasures\\_09.pdf](http://www.cdc.gov/nchs/data/nhanes/nhanes_09_10/BodyMeasures_09.pdf)
- 260 16. Centers for Disease Control and Prevention. “Overweight and Obesity.” Division of Nutrition, Physical Activity, and Obesity, National Center of Chronic Disease Prevention and Health Promotion. Updated 12/21/12. Accessed from:  
<http://www.cdc.gov/obesity/index.html>.
- 265 17. Partnership for a Healthier America ePlans to Promote Healthy Weight Use Cases. (n.d.) In Partnership for a Healthier America. Retrieved on July 31, 2013 from  
[http://ahealthieramerica.org/wp-content/uploads/2013/07/HealthyWeightPlan\\_UseCases\\_Mar2013.pdf](http://ahealthieramerica.org/wp-content/uploads/2013/07/HealthyWeightPlan_UseCases_Mar2013.pdf) (NOTE: referenced in the document as ePlans Use Cases)
18. American College of Sports Medicine. Exercise is Medicine. Accessed 4/2015 at  
<http://www.exerciseismedicine.org/>
- 270 19. Academy of Nutrition and Dietetics. Nutrition Informatics and EHR/PHR Nutrition Best Practices Implementation Guide. Retrieved on March 30, 2015 from  
<http://www.eatrightpro.org/resources/news-center/in-practice/nutrition-informatics>
20. American Academy of Pediatrics. Childhood Obesity *Next Steps*. Accessed 4/2015 at [www.aap.org](http://www.aap.org)
- 275 21. Centers for Disease Control and Prevention. Youth Risk Behavior Surveillance System (YRBSS) Accessed 4/2015 at <http://www.cdc.gov/HealthyYouth/yrbs/index.htm>
22. Centers for Disease Control and Prevention. Behavioral Risk Factor Surveillance System (BRFSS). Accessed 4/2015 at <http://www.cdc.gov/brfss/>
23. World Health Organization. Global school-based student health survey (GSHS) Accessed 4/2015 at <http://www.who.int/chp/gshs/en/>
- 280 24. World Health Organization. STEPwise approach to surveillance (STEPS). Accessed 4/2015 at <http://www.who.int/chp/steps/en/>

285 Measured height and weight data are captured in Electronic Health Records (EHR) and are a valuable resource for public health and quality improvement activities. Fully integrated healthy weight standards in public health agency information systems have the potential to provide high quality body mass index (BMI) data that can be used by the public health community for healthy weight activities that track changes in BMI prevalence. These data can inform the development of public health programs and clinical interventions, as well as quantitatively evaluate the quality and impact of child obesity prevention interventions.



290 Population-based, measured height and weight data collected from existing surveillance systems that are available across the country lack the ability to collect information for younger children that can be assessed at lower/smaller geographic areas (e.g., counties, cities, provider groups).

295 Similar Public Health interoperability challenges have been addressed using the ITI Retrieve Form for Data Capture (RFD) with pre-population and mapping rules and logic that define how the EHR focused CDA constructs are assessed to determine the Public Health defined program attribute values and how the information is expressed in the context of public health messaging construct requirements (e.g., HL7 Message implementation guides). A similar specification is leveraged in this profile to solve the BMI problems.

300 In the U.S., the Health Information Technology for Economic and Clinical Health Act of 2009 (HITECH) funding created significant incentives for healthcare practitioners to purchase and meaningfully use EHRs for collecting patient demographic and clinical information. These incentives require that physicians demonstrate that their EHRs collect height and weight data and promote the transfer of clinical data from EHRs to public health surveillance systems, such as Immunization Information Systems (IIS). Thus, state and federal public health agencies can capitalize on the opportunity provided by HITECH to explore how BMI, referral to nutrition  
305 counseling, and activity counseling data that are already captured in EHRs for clinical purposes could be used to provide measured child Healthy Weight surveillance data. However, more work is needed to enable use of EHRs for Healthy Weight surveillance. There is also interest on the part of state stakeholders (e.g., state-level Departments of Health), and further alignment through collaborative efforts with U.S. national stakeholders (e.g., American Academy of Pediatrics) that  
310 are engaged to work on concurrent standardization work in HL7 with the goal of improving data transfer systems and interoperability for clinical and public health BMI programs.

315 This IHE profile enables better alignment between the EHR and public health initiatives and approaches by specifying the content and transactions to be used to capture BMI data from the EHR and communicate the BMI data to Public Health. This IHE profile supports care coordination, care quality improvement efforts and data interoperability and capture to inform population health programs and improvement.

## Open Issues and Questions

1. Need to add reference to the HL7 IG in Introduction Section once document is available
2. What is the relationship to the Child EHR (see [Agency for Healthcare Research and Quality website](#))  
320
3. CCDA Refactoring impact on XPHR, MS, CCD<sup>®4</sup> references
4. Develop a visual appendix reference that ties in the healthy weight visit algorithms with the concepts in the Healthy Weight Document

---

<sup>4</sup> CCD is the registered trademark of Health Level Seven International.

- 325 5. Document scope is currently limited to overweight use cases pending further clinical review for appropriate content and constraints pertaining to underweight patients.
6. Volume 2 Open Issue: The transaction payload is limited to those attributes defined by this implementation guide and does not include the plan and risk assessment content.
7. Volume 1 Actors and Options – Archive Form: Need to sort out how this handles Healthy Weight pre-pop or Pre-pop - Pending CP details
- 330 8. Pseudonymization is of interest in this profile, however, due to the immaturity of final guidance from the ITI white paper and current activities to update the standard to a full international specification, specific guidance regarding pseudonymization will be deferred. Once the document is published, more specific references and possibly guidance based on the white paper will be added.
- 335 9. Error checks (e.g., busy; failed quality checks, Outliers, and out-of-range constraints) are not addressed in this profile.
10. Mother’s Maiden Name is not clearly specified in the header content modules and should be reviewed across IHE domains.
- 340 11. Review with PCC to clarify the use of Employer and School Information (1.3.6.1.4.1.19376.1.5.3.1.2.2) for child care/early learning
12. Consider using a HW coded social history with a new OID
- 345 13. Consider shall in the future or in options for Social History details. Early implementations are intended to establish a direction with a goal to require content at a later date. Clarify with PCC the intended meaning of ‘SHOULD’ across domains for content specification with respect to testing.
14. Further alignment is needed across ongoing initiatives:
  - 350 a. Energy Intake Standards: Additional research is needed in terms of the specific concept to be represented and how it should be codified. Note: Value set for this item using SNOMED-CT terms will be provided by the Academy of Nutrition and Dietetics.
  - 355 b. Consumption of Calcium-rich foods. Using numbers and units to reflect times/day. How often did you drink milk, or chocolate milk? Eat cheese? Avoidance of Energy-dense foods. NOTE: These behaviors are integral to the recommendations of the Pediatric Weight Management Expert Committee of the Academy of Nutrition and Dietetics. May require additional SNOMED/LOINC work. Further review and align with nutrition.
  - c. Consider adding to social behaviors: quality of life 72354-4 Overall quality of life over the past month
  - 360 d. Resources to Support Goals: Expert consideration and recommendations for supporting SNOMED-CT codes to support healthy weight.

- e. Review the use of 46802-5 Communication with community resources.knowledge for the Resources to Support Goals Section Code
15. Review the use of community resources guidance and counseling – SNOMED-CT code 424673000 possibly as an intervention codeconsider if new LOINC code name for Hours/min per day watching TV/DVDs should be extended to include mobile devicesLOINC requests pending further review needed to replace:
- 365
- a. Mother’s education should be ‘parent’s education’ with possible consideration for a simpler value set. Primary Caregiver, Guardian? Need new LOINC code once we determine request details that are currently deferred pending further discussion
  - 370 b. Currently using ‘67577-7’ How far in school did she go, LOINC
  - c. Currently using ‘67578-5’ How far in school did he go, LOINC
  - d. Align with Academy of Nutrition and Dietetics and HL7 work in the area of controlled carbohydrates and food insecurity; consider adding to dietary behaviors
  - 375 e. Further review and align with nutrition LOINC and SNOMED-CT initiatives; CP Option following vocabulary and suitability review with the intent to submit the CP by September so that the material can be included in 2014 Connectathon testing;
16. Do we add school related behaviors? This document and associated value sets only identifies school and employers, but not related behaviors. Standard vocabulary coded values supporting content for school related behaviors needs additional development. Resources to Support Goals Section may need a different LOINC code.
- 380
17. Readiness for Change - Is social history the best location for this concept? Measuring within the care plan or other section. HPI – part of motivational interview. May be part of plan in future iterations, and pending alignment with Academy of Nutrition and Dietetics' International Nutrition Terminology choice of terms associated with knowledge and beliefs.
- 385
18. Healthy Weight Summary (HWS) Conformance and Example is pending sample generation through MDHT.
19. Consider to document discretely authoritative source for the presence of each data element as well as evidence for its validity and value in patient care for each of the attributes in social history the clinical references for the data criteria.
- 390
20. There are 4 main sites to measure for waist circumference. Does the EHR have a field or modifier or element that in some way indicates the site that this measurement is taken?
21. The use of the Occupational Health Option to force the ability to sign up and test this option is not intended to be common practice, but is specific to the needs of this domain.
- 395
22. Request from HL7 to not include the insurance at that granular level; note it is in the OBX segment. Differences between CDA and HL7v2 regarding the handling of Payer and Weight Associated Conditions. HL7v2 groups them with specific observations, while

CDA does not. This means that HL7v2 messages can contain multiple Healthy Weight observations with different payers and conditions, while CDA does not.

- 400 23. Are the methods (street clothes no shoes, street clothes & shoes, Underwear or less) the right level of detail – review with SMEs, LOINC, HL7

## Closed Issues

1. Do we continue to offer grouping guidance? No required grouping
- 405 2. Should we establish a common actor pair for HL7 information source and recipient (currently specific to Information source and Information Recipient)? Yes. Common actor pair established: Information Source, Information Recipient
3. Should this profile include other factors that may be monitored by the programs? Yes:
  - Behaviors (social history)
  - Screen time e.g., TV/video/computer (minutes/day)
  - 410 • Physical activity (minutes/day)
  - Skip meals/family meals/meals outside home
  - Sleep
  - Water intake
  - Sugared beverages
  - 415 • Milk intake
  - Goals
  - Resources to support goals
  - Family healthy weight history
  - Healthy weight assessment/plan
  - 420 • School information
4. For Active Problems, how deep should we specify the Healthy Weight needs (e.g., (underweight, lab vs. DX)? Underweight out of scope. Lab and Problems included.
5. Do we need to break down comorbidities, vs. special cases and active problems? No. Using alternate value set concept for Healthy Weight Associated Conditions.
- 425 6. Social History Pregnancy status - is there a different value set that should be used other than Pregnant 1.3.6.1.4.1.19376.1.7.3.1.1.13.8.95? No. This is the correct value set. Value set name will be updated to reflect more generic use in PHIN-VADS.
7. Volume 1 Actors and Transactions – Form Receiver CDA Exporter - How do we reference the additional XD\* transactions required of the Form Receive CDA Exporter?

- 430 (ITI-41, ITI-1, ITI-19, ITI-20?) – referenced in optional grouping. Diagrams reference as an example ‘[e.g., ITI-XD\*]
8. Where to provide implementation references to healthy weight plan efforts? Added references to these initiatives in the Supplement introduction section.
- 435 9. Value Sets were reviewed by expert panel including breakdown and grouping of comorbidities, special cases, and other problems: Resolution was to generate a single ‘Weight Associated Conditions’ value set to cover these concepts.
10. The ‘Save Form For Continued Editing’ Option on the Form Manager has no specific strategies identified. Removed option and included requirements that the Form Manager be able to render a saved form for a given patient request
- 440 11. BP: (NCEP definition of metabolic syndrome includes a BP >130/85) – there are pros and cons of getting BP as a vital sign (actual measurement) versus diagnosis (may take into account a dx of HTN but BP is controlled by meds as this visit). Including as SHOULD
- 445 12. Breast feeding – placement in active problems vs. social history nutrition/behaviors along with FV, PA, sleep, TV. Breastfeeding for baby is Diet in Social History. Breastfeeding for mother is problem list to highlight for appropriate medication decisions.
- 450 13. It would be best to have gestational age in weeks (up until age 2yo). Currently reflected as diagnosis, but need to reflect this somewhere else; may be able to use existing LOINC Code (72147-2 Gestational age at birth RHEA); Included in Weight Associated Conditions value set.
- 455 14. It is best to stick to waist circumference as our priority. The NHANES documentation includes the tricep skinfold and bicep skinfold (but these could get messy and HANES may even be dropping them) and hip circumference (to calculate waist/hip ratio; but this was debated years ago and is not in favor to the WC); Included as optional in vital signs.
- 460 15. Will need to harmonize Volume 2 with HL7 BMI updates that are made for public comment including the addition of reference to HW Associated Conditions. HL7 BMI document is completed along with the alignments in Volume 2.
16. New LOINC codes obtained for:
- a. Food Insecurity
- 460 b. Readiness for improved behaviors for (Diet, Physical Activity, Sleep, and Screen Time).
- c. Frequency of Screen- Time (TV/DVDs) Weekdays
- d. Frequency of Screen-Time (TV/DVDs) Weekends
- e. Frequency of Screen- Time (video games and computer games) Weekdays
- 465 f. Frequency of Screen-Time (video games and computer games) Weekends

- g. Frequency of Fatty Foods Intake (needs further expert review of concept need)
  - h. Frequency of Healthy Snacks (needs further expert review of concept need)
  - i. Infant is currently eating or drinking something other than breast milk (needs further expert review of concept need and alignment with breastfeeding panel considerations)
  - 470 j. Addition of cereal to bottle (needs further expert review of concept need)
  - k. Frequency of Family Meals (needs further expert review of concept need)
  - l. %fat calculated by the Bioimpedence device (body fat percentage data) (needs further expert review of concept need). Using 41982-0 Percentage of body fat Measured, LOINC in the interim.
  - 475 m. frequency of Vegetable intake
  - n. frequency of Water intake
  - o. frequency of physical activity
  - p. Infant Formula intake
  - q. Trouble breastfeeding
  - 480 r. Physical Activity Behavior (to be answered with SNOMED-CT observations)
  - s. Dietary Behavior (to be answered with SNOMED-CT observations)
  - t. Household Income
  - u. New LOINC to replace ‘61468-5’ How often did you drink 100 % fruit juice, such as orange, mango, apple, and grape juices in past 30 days [PhenX]
  - 485 v. New LOINC to replace ‘61550-0’ How often did you drink sports drinks or fruit flavored drinks with sugar (such as Kool-Aid, Hi-C, lemonade, or cranberry cocktail) in past 30 days
  - w. New LOINC to replace ‘61473-5’ How often did you drink regular, carbonated soda or soft drinks that contain sugar in past 30D
  - 490 x. New LOINC to replace ‘68510-7’ How many times a week did you eat fast food or snacks or pizza in past 7 days [SAMHSA]New LOINC code for the HWS Document.
17. Alignment across ongoing initiatives:
- a. Calcium considerations including milk intake as a beverage – included questions in social history for milk intake
- 495 18. Terminal Illness included in Weight Associated Conditions value set
19. Value sets have been adjusted to align to be able to better support Meaningful Use

## General Introduction

*Update the following Appendices to the General Introduction as indicated below. Note that these are not appendices to Volume 1.*

### 500 Appendix A – Actor Summary Definitions

Actor	Definition
Information Source	The Information Source is responsible for creating and transmitting an HL7 V2.5.1 message to an Information Recipient.
Information Recipient	The Information Recipient is responsible for receiving the HL7 V2.5.1 message from an Information Source or from a Form Receiver Message Exporter.
Form Receiver CDA Exporter	The Form Receiver CDA Exporter receives data submitted through the Submit Form Transaction (ITI-35), transforms that data to create a CDA document, and shares that newly created CDA document with a Content Consumer.
Form Receiver Message Exporter	The Form Receiver Message Exporter receives data submitted through the Submit Form Transaction (ITI-35), transforms that data to an HL7 message and sends that message to an Information Recipient.

### Appendix B – Transaction Summary Definitions

*Add the following transactions to the IHE Technical Frameworks General Introduction list of Transactions:*

Transaction	Definition
HWFeed [QRPH-39]	This transaction transmits the HL7 V2.5.1 formatted message containing the Healthy Weight information

### 505 Glossary

*Add the following glossary terms to the IHE Technical Frameworks General Introduction Glossary:*

Glossary Term	Definition
Body Mass Index (BMI)	<p>Body Mass Index (BMI) is a number calculated from weight and height:</p> $\text{BMI} = \frac{\text{weight (kg)}}{[\text{height (m)}]^2}$ <p>See Appendix D for further details.</p>

## IHE Quality, Research and Public Health Technical Framework Supplement – Healthy Weight (HW)

---

<b>Glossary Term</b>	<b>Definition</b>
BMI z-score and percentiles	Among children and adolescents (ages, 2 to 18 years), BMI levels differ between boys and girls, and across ages. Therefore, for a BMI value to be interpretable among children and adolescents, it is necessary to express it as a z-score (standard deviation score) or as a percentile relative to children of the same sex and age in the CDC reference population. (This representative population consists of data collected from 1963 to 1980). See Appendix D for further details.
Weight-for-Length z-score and percentiles	For children less than 2 years (24 months) of age, weight-for-length, rather than BMI, is the preferred indicator. The reference population is the WHO Multicentre Growth Reference Study. See Appendix D for further details.



510

# Volume 1 – Profiles

## Copyright Licenses

*Add the following to the IHE Technical Frameworks General Introduction Copyright section:*

515 This product includes all or a portion of the LOINC<sup>®</sup> table, LOINC panels and forms file, LOINC document ontology file, and/or LOINC hierarchies file, or is derived from one or more of the foregoing, subject to a license from Regenstrief Institute, Inc. Your use of the LOINC table, LOINC codes, LOINC panels and forms file, LOINC document ontology file, and LOINC hierarchies file also is subject to this license, a copy of which is available at <http://loinc.org/terms-of-use>. The current complete LOINC table, LOINC Users' Guide, LOINC panels and forms file, LOINC document ontology file, and LOINC hierarchies file are available for download at <http://loinc.org>. The LOINC table and LOINC codes are copyright © 1995-2013, Regenstrief Institute, Inc. and the Logical Observation Identifiers Names and Codes (LOINC) Committee. The LOINC panels and forms file, LOINC document ontology file, and LOINC hierarchies file are copyright © 1995-2013, Regenstrief Institute, Inc. All rights reserved. THE LOINC TABLE (IN ALL FORMATS), LOINC PANELS AND FORMS FILE, 525 LOINC DOCUMENT ONTOLOGY FILE, AND LOINC HIERARCHIES ARE PROVIDED "AS IS." ANY EXPRESS OR IMPLIED WARRANTIES ARE DISCLAIMED, INCLUDING, BUT NOT LIMITED TO, THE IMPLIED WARRANTIES OF MERCHANTABILITY AND FITNESS FOR A PARTICULAR PURPOSE. LOINC<sup>®</sup> is a registered United States trademark of Regenstrief Institute, Inc. A small portion of the LOINC table may include content (e.g., 530 survey instruments) that is subject to copyrights owned by third parties. Such content has been mapped to LOINC terms under applicable copyright and terms of use. Notice of such third party copyright and license terms would need to be included if such content is included."

## X Healthy Weight (HW) Profile

535 The Healthy Weight (HW) Profile provides a means to capture and communicate among clinical systems and public health information systems, the information needed for managing and monitoring healthy weight. The HW Profile is a content profile that defines the content of Healthy Weight information that is transmitted. This profile uses several different mechanisms for capturing and communicating that information:

- Defined content in CDA documents,
- 540 • Defined content in HL7 V2.5.1 messaging,
- Electronic data capture and form submission using the ITI Retrieve Form for Data Capture Profile.

## X.1 HW Actors, Transactions, and Content Modules

545 This section defines the actors, transactions, and/or content modules in this profile. General definitions of actors are given in the Technical Frameworks General Introduction Appendix A at [http://www.ihe.net/Technical\\_Frameworks/](http://www.ihe.net/Technical_Frameworks/).

550 The HW Profile uses actors and transactions from the ITI RFD Profile (ITI Technical Framework Supplement: Retrieve Form For Data Capture in addition to new actors and transactions defined below that support HW data collection, transformation, and reporting capabilities.

Figure X.1-1 shows the actors directly involved in the HW Profile and the relevant transactions between them. If needed for context, other actors that may be indirectly involved due to their participation in other related profiles are shown in dotted lines. Actors which have a mandatory grouping are shown in conjoined boxes.

555

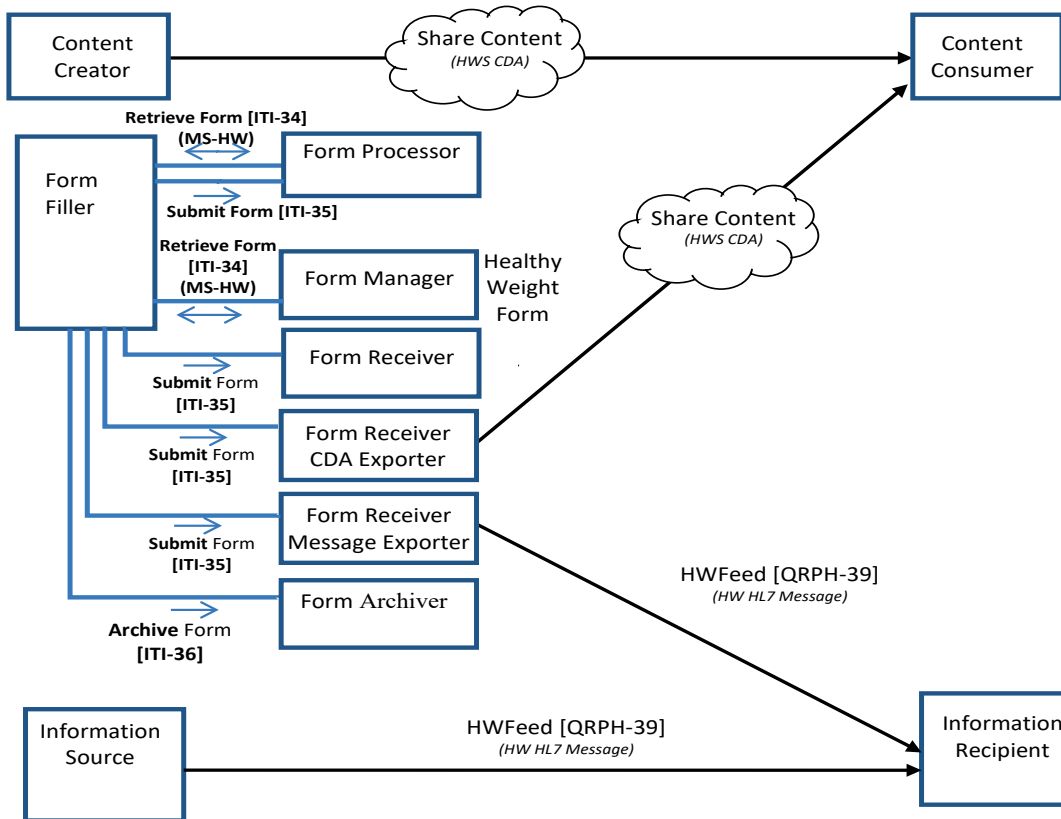


Figure X.1-1: HW Actor Diagram

560 Table X.1-1 lists the transactions for each actor directly involved in the HW Profile. To claim compliance with this profile, an actor shall support all required transactions (labeled “R”) and may support the optional transactions (labeled “O”).

**Table X.1-1: HW Profile – Actors and Transactions**

Actors	Transactions	Optionality	Reference
Form Filler	Retrieve Form [ITI-34]	R	ITI TF-2b: 3.34
	Submit Form [ITI-35]	R	ITI TF-2b: 3.35
	Archive Form [ITI-36]	O	ITI TF-2b: 3.36
Form Manager	Retrieve Form [ITI-34]	R	ITI TF-2b: 3.34
Form Processor	Retrieve Form [ITI-34]	R	ITI TF-2b: 3.34
	Submit Form [ITI-35]	R	ITI TF-2b: 3.35
Form Receiver	Submit Form [ITI-35]	R	ITI TF-2b: 3.35
Form Receiver CDA Exporter	Submit Form [ITI-35]	R	ITI TF-2b: 3.35
Form Receiver Message Exporter	Submit Form [ITI-35]	R	ITI TF-2b: 3.35
	HWFeed [QRPH-39]	R	QRPH TF-2:3.39
Form Archiver	Archive Form [ITI-36]	R	ITI TF-2b: 3.36
Information Source	HWFeed [QRPH-39]	R	QRPH TF-2:3.39
Information Recipient	HWFeed [QRPH-39]	R	QRPH TF-2:3.39

565 Table X.1-1 lists the content module(s) defined in the HW Profile. To claim support with this profile, an actor shall support all required content modules (labeled “R”) and may support optional content modules (labeled “O”).

**Table X.1-2: HW Profile - Actors and Content Modules**

Actors	Content Modules	Optionality (Create)	Optionality (Consume)	Reference
Form Filler	MS-HW (1.3.6.1.4.1.19376.1.7.3.1.1.24.2)	O See Note 1		QRPH TF-3: 6.3.1.D2
Form Receiver CDA Exporter	HWS (1.3.6.1.4.1.19376.1.7.3.1.1.24.1)		R	QRPH TF-3: 6.3.1.D1
Form Processor	MS-HW (1.3.6.1.4.1.19376.1.7.3.1.1.24.2)		R	QRPH TF-3: 6.3.1.D2
Form Manager	MS-HW (1.3.6.1.4.1.19376.1.7.3.1.1.24.2)		R	QRPH TF-3: 6.3.1.D2
Content Creator	HWS (1.3.6.1.4.1.19376.1.7.3.1.1.24.1)	R		QRPH TF-3: 6.3.1.D1

Actors	Content Modules	Optionality (Create)	Optionality (Consume)	Reference
Content Consumer	HWS (1.3.6.1.4.1.19376.1.7.3.1.1.24.1)		R	QRPH TF-3: 6.3.1.D1

Note 1: Systems implementing a Form Filler MAY optionally create the MS-HW as a pre-pop document.

### X.1.1 Actor Descriptions and Actor Profile Requirements

570 Most requirements are documented in Transactions (Volume 2) and Content Modules (Volume 3). This section documents any additional requirements on profile’s actors.

#### X.1.1.1 Form Filler

The Form Filler is defined in the ITI RFD Profile. In the HW Profile, the Form Filler SHALL support XHTML and SHALL NOT support XFORMS of the Retrieve Form transaction (RFD ITI TF 2b: 3.34.4.2.3.2). The Form Filler SHALL populate the prepopData parameter of the Retrieve Form [ITI-34] transaction with content defined by either the Summary Document Pre-Pop Option Section (X.2.1.1) or the HW Summary Document Pre-Pop Option Section (X.2.1.2).

Note: This profile describes an HW Form Filler. Other Form Fillers compliant with RFD can be used for the data transmission and attain some of the benefits of data capture, but not the pre-population benefits.

#### 580 X.1.1.2 Form Manager

The Form Manager is defined in the ITI RFD Profile. In the HW Profile, the Form Manger SHALL support XHTML and SHALL NOT support XFORMS of the Retrieve Form transaction (RFD ITI TF 2b: 3.34.4.2.3.2).

585 The Form Manager SHALL supply a form that complies with the minimum content of the data dictionary in Volume 1 Appendix a.

The system fulfilling this role in the HW Profile SHALL accept pre-pop data in the form of content defined by the:

- PCC MS (Referral Summary 1.3.6.1.4.1.19376.1.5.3.1.1.3),
- PCC MS Discharge Summary 1.3.6.1.4.1.19376.1.5.3.1.1.4),
- 590 • PCC XPHR (1.3.6.1.4.1.19376.1.5.3.1.1.5)
- HL7 Continuity of Care Document (CCD) (2.16.840.1.113883.10.20.1.22), or
- QRPH MS-HW (1.3.6.1.4.1.19376.1.7.3.1.1.24.2)

595 and return a form that has been appropriately pre-populated based on the mapping rules specified in QRPH TF 3:6.3.1.D1.4.3 Data Element Requirement Mappings for Form Pre-Population. The Form Manager shall support ALL of these pre-pop documents. The Form Manager must also support data capture in the absence of a pre-pop document.

If the Form Filler retrieves a previously populated form, the Form Manager shall supply the previously populated content. How the Form Manager maintains the previously populated form between submissions is not specified by IHE.

600 **X.1.1.3 Form Receiver**

The Form Receiver is defined in the ITI RFD Profile. In the HW Profile, the Form Receiver SHALL receive the populated form from the Form Filler when the form is submitted. No further requirements are placed on the Form Receiver within the scope of this profile.

**X.1.1.4 Form Receiver CDA Exporter**

605 This Form Receiver CDA Exporter receives data submitted through the Submit Form Transaction (ITI-35), transforms that data to create a CDA document, and shares that newly created CDA document with a Content Consumer. For Healthy Weight, this transforms that data to create the HWS Document Content (1.3.6.1.4.1.19376.1.7.3.1.1.24.1) defined in QRPH TF-3:6.3.1.D1, and shares that newly created VRDR content document with a Content Consumer.

610 The Form Receiver CDA Exporter receives data submitted through the Submit Form Transaction (ITI-35), transforms that data to create a HWS content document and shares that newly created HWS content document with a Content Consumer. Detailed rules for the HWS CDA Document Content are fully defined in QRPH TF-3:6.3.1.D1. Specification of the transformation rules from the Form to the CDA content is fully specified in Table 6.3.1.D1.4.1, Data Element Requirement Mappings to CDA.

615 When creating the CDA, the requirements are the same as those specified for a Content Creator of the HWS CDA.

**X.1.1.5 Form Receiver Message Exporter**

620 This Form Receiver Message Exporter receives healthy weight data submitted through the Submit Form Transaction (ITI-35), transforms that data to an HL7 message and sends that message to an Information Recipient. For Healthy Weight, this transforms that data to be in compliance with the requirements of the HL7 V.2.5.1 HWFeed transaction [QRPH-39] which conforms to the HL7 Version 2.5.1 Implementation Guide: Height and Weight Report, Release 1 (US Realm) containing the healthy weight attributes, and sends that data to an Information Recipient using QRPH-39. Detailed rules for the HWFeed message are fully defined in QRPH 2: 625 3.39.4.1 HWFeed [QRPH-39]. Specification of the transformation rules from the Form to the message content is fully specified in Table 6.3.1.D1.4.2 Data Element Requirement Mappings to Message.

630 When creating the HWFeed message, the requirements are the same as those specified for an Information Source of the QRPH-39.

#### **X.1.1.6 Form Processor**

The Form Processor is defined in the ITI RFD Profile.

635 The Form Processor SHALL support XHTML and SHALL NOT support XFORMS of the Retrieve Form transaction.

The Form Processor SHALL supply a form that complies with the minimum content of the data dictionary in Volume 1 Appendix a.

The system fulfilling this role in the HW Profile SHALL accept pre-pop data in the form of content defined by the

- 640
- PCC MS (Referral Summary 1.3.6.1.4.1.19376.1.5.3.1.1.3)
  - PCC MS Discharge Summary (1.3.6.1.4.1.19376.1.5.3.1.1.4),
  - PCC XPHR (1.3.6.1.4.1.19376.1.5.3.1.1.5),
  - HL7 Continuity of Care Document (CCD) (2.16.840.1.113883.10.20.1.22), or
  - QRPH MS-HW (1.3.6.1.4.1.19376.1.7.3.1.1.24.2),

645 and return a form that has been appropriately pre-populated based on the mapping rules specified in QRPH TF-6.3.1.D1.4.3 Data Element Requirement Mappings for Form Pre-Population. The Form Processor shall support ALL of these pre-pop documents. The Form Processor must also support data capture in the absence of a pre-pop document.

650 If the Form Filler submits the same form more than once for the same patient to the Form Processor, then the Form Processor shall supply the previously-submitted, partially-filled form. How the Form Processor maintains the previously populated form between submissions is not specified by IHE. Form Manager

655 The Form Processor SHALL receive the populated form from the Form Filler when the form is submitted. No further requirements are placed on the Form Processor within the scope of this profile.

#### **X.1.1.7 Form Archiver**

660 The actions of the Form Archiver are defined in the ITI RFD Profile. In the HW Profile, the Form Archiver may be leveraged to support traceability such that the provider is able to have a record of the form data submitted. The Healthy Weight Profile places no additional requirements on the Form Archiver.

#### **X.1.1.8 Information Source**

665 The Information Source is responsible for creating an HWFeed [QRPH-39] transaction which conforms to the HL7 Version 2.5.1 Implementation Guide: Height and Weight Report, Release 1 (US Realm) containing the healthy weight attributes. The Information Source SHALL create content as specified in QRPH TF-2:3.39

### X.1.1.9 Information Recipient

670 The Information Recipient is responsible for receiving the HL7 V2.5.1 message using the HL7 Version 2.5.1 Implementation Guide: Height and Weight Report, Release 1 (US Realm) containing the healthy weight attributes from the Information Source. This Information Recipient shall accept and process the contents of the ORU message according to the capabilities of its application. This processing is not constrained by IHE.

### X.1.1.10 Content Creator

675 The Content Creator SHALL be responsible for the creation of content and transmission of the Healthy Weight Summary document (HWS) to a Content Consumer. Detailed rules for the HWS content document are fully defined as specified in QRPH TF-3:6.3.1.D1.5.

### X.1.1.11 Content Consumer

A Content Consumer is responsible for View, Document Import, and Discrete Data Import options for HW content created by an HW Content Creator.

## X.2 HW Actor Options

680 HW Options that may be selected for each actor in this profile, if any, are listed in the Table X.2-1. Dependencies between options when applicable are specified in notes.

**Table X.2-1: HW – Actors and Options**

Actor	Option Name	Reference
Content Creator	Occupational Health Extension	QRPH TF-1: X.2.1.4
Content Consumer	View	PCC TF-1:3.4.1.1
	Document Import	PCC TF-1:3.4.1.2
	Discrete Data Import	PCC TF-1:3.4.1.4
	Occupational Health Extension Discrete Data Import	QRPH TF-1: X.2.1.5
Form Filler	Summary Document Pre-Pop <sup>Note 1</sup>	QRPH TF-1: X.2.1.1
	HW Enhanced Pre-Pop <sup>Note 1</sup>	QRPH TF-1: X.2.1.2
	Archive Form	QRPH TF-1: X.2.1.3
Form Manager	No options defined	--
Form Processor	No options defined	--
Form Receiver	No options defined	--
Form Receiver CDA Exporter	No options defined	--
Form Receiver Message Exporter	No options defined	--
Form Archiver	No options defined	--

Actor	Option Name	Reference
Information Source	No options defined	--
Information Recipient	No options defined	--

Note 1: The Form Filler SHALL support either the Summary Document Pre-Pop Option, the HW Enhanced Pre-Pop Option, or both

685

## X.2.1 Form Filler Options

### X.2.1.1 Summary Document Pre-Pop Option

This option defines the document submission requirements placed on Form Fillers for providing pre-pop data to the Form Manager or Form Processor. The prepopData parameter SHALL use the following content (Summary Document Pre-pop Set):

690

- If the Form Filler supports the Summary Document Pre-Pop Option, the value of the prepopData parameter in the Retrieve Form request (see ITI TF-2b:3.34.4.1.2) shall be a well-formed xml document as defined by one of the documents in the Summary Document Pre-pop Set:

695

- PCC MS (Referral Summary 1.3.6.1.4.1.19376.1.5.3.1.1.3 PCC TF 3:6.3.1.3),
- PCC Discharge Summary 1.3.6.1.4.1.19376.1.5.3.1.1.4 PCC TF 3:6.3.1.4),
- PCC XPHR (1.3.6.1.4.1.19376.1.5.3.1.1.5 PCC TF 3:6.3.1.5), or
- HL7 Continuity of Care Document (CCD) (2.16.840.1.113883.10.20.1.22).

### X.2.1.2 HW Enhanced Pre-Pop Option

This option defines the document submission requirements placed on Form Fillers for providing pre-pop data to the Form Manager or Form Processor, describing specific content and vocabulary constraints to the PCC MS/XPHR or CCD document that will optimize the ability to process the clinical content to fill in the HW Form. The Form Filler’s support for the HW Pre-Pop Option determines how pre-population data elements are handled when the Form Filler retrieves the form using ITI-34:

705

- If the Form Filler supports the HW Pre-Pop Option, the value of the prepopData parameter in the Retrieve Form Request (see ITI TF-2b: 3.34.4.1.2) shall be a well-formed xml document as defined by QRPH TF-3: 6.3.1.D2.5 Medical Summary for Healthy Weight Pre-Pop (MS-HW) Document Content Module for the specification of the Summary content required.

710



### **X.2.1.3 Archive Form Option**

If the Form Filler supports the Archive Form Option, it shall support the Archive Form transaction ITI-36.

### **X.2.1.4 Occupational Health Extension Option**

715 A Content Creator that supports the Occupational Health Extension Option SHALL be capable of creating a document that is conformant with the Occupational Data for Health Section specified in PCC CDA Supplement: 6.3.3.10.5.

### **X.2.1.5 Occupational Health Extension Discrete Data Import**

720 A Content Consumer that supports the Occupational Health Extension Discrete Data Import SHALL be capable of discrete data import from a document that is conformant with the Occupational Data for Health Section specified in PCC CDA Supplement Section 6.3.3.10.5.

## **X.3 HW Required Actor Groupings**

There are no required groupings with actors.

## **X.4 HW Overview**

725 Although information for calculating BMI is currently collected at the provider level in the EHR, multiple approaches are being used to communicate this information to health departments. This communication process can be inefficient and insufficient resulting in inconsistent data quality.

730 Limitations make it very difficult for agencies, communities and states to evaluate progress in their childhood obesity prevention efforts. States and cities are currently developing EHR-based Healthy Weight information systems, thus, there is an urgent need for standards, guidance documents, interoperability, and use case testing. This profile covers within its scope healthy weight considerations for individuals of the entire population, crossing the lifespan of the patient with considerations for age appropriate content. Scope is constrained to overweight and obesity prevention and treatment for disease prevention and health promotion (e.g., not underweight, not  
735 all chronic disease) use cases (see open issues).

### **X.4.1 Concepts**

Existing obesity surveillance systems have multiple limitations, including cost, subjectivity of self-reported data, and ability to analyze data at a small geographic area. Communities that  
740 choose to share EHR data that are collected for clinical purposes can help fill in the gap of measured BMI and healthy weight information needed for informing clinical and public health interventions at the local level, and can work with clinicians to do so in a minimally burdensome or resource neutral manner. However, these EHR systems are in various stages of incorporating BMI content. This limits the current ability for EHR systems to serve as a valuable resource for providing a foundation for quality of care measures, for BMI monitoring, and for improvements  
745 in BMI data quality. These systems could enable improved data quality and representation of the

750 information with a focus on care delivery and additional benefits from health monitoring for patient and populations. This can further lead to an opportunity to mobilize and spread the use of interoperability between EHR and public health information systems, and providing standard practices to leverage EHRs to move primary care and population health forward. Outreach to populations that do not regularly visit their doctors can be facilitated through this profile to enable capture of this data by forms or interoperable data.

Current Obesity surveillance systems are inadequate:

- Current national obesity surveillance systems that utilize measured data are costly, labor intensive, and do not provide state/local data (e.g., NHANES)
- 755 • Systems that provide state or local data only use parent/self-reported height and weight to calculate BMI
- Less data are available on younger age groups (e.g., YRBS), who see their providers regularly for well child care, including immunizations

760 Currently BMI from provider offices is captured and communicated to the state health department in a number of ways including combinations of the following approaches:

- On paper
- Through web-based data entry portals
- EHRs are interfacing to BMI surveillance system using various methods and are at various stages of implementation

765 This process is inefficient and insufficient:

- In some cases requiring dual entry by the provider into both the EHR and the reporting tool
- In some cases establishing custom interfaces
- Inconsistent data quality in data entry and communication
- 770 • Data are under-reported and underrepresented. Much of the BMI data collected by providers is not currently communicated to state health departments at all, but sits unused for this purpose in the provider office and thus is a missed opportunity.

These limitations make it very difficult for public health agencies, communities, and jurisdictions to evaluate progress in their obesity rates.

#### 775 **X.4.2 Use Cases**

The multiple use cases indicate the various approaches of capturing healthy weight information for both clinical intervention purposes and public health programs supported by this profile. Both CDA R2 and HL7 messaging approaches are provided to allow flexibility and migration opportunities for public health environments that rely upon HL7 messaging approaches. For 780 those initiatives or communities that choose to capture data via forms, forms-based data capture

is included as an option that can support transform of data captured to standard messages or documents leveraging pre-population from standard CDA clinical summary documents:

- HW Forms based data capture where the Forms Receiver forwards the information to public health using HL7 Messaging
- 785 • HW Forms based data capture where the Forms Receiver forwards the information to public health using a constrained CDA R2 Document
- HW Forms based data capture where the Forms Receiver is integrated into the native public health surveillance system
- directly from the EHR using HL7 Messaging
- 790 • directly from the EHR using a constrained CDA R2 Document

The following use cases each describe unique options for gathering information for a subset of patients that need behavior modification and intervention due to overweight issues. These use cases support the clinic visit and sharing of the clinical visit information via an HWFeed or HW Summary to improve patient health, care delivery, data capture, provider quality improvement and community program and systems outcomes.

- An adolescent patient visits his/her primary care provider for a yearly check-up. The medical assistant takes measurements for height and weight, and documents healthy weight associated conditions that should be maintained on the problem list. The EHR automatically calculates BMI from measured height & weight and displays BMI trajectory. The EHR also manages the relevant patient demographics supporting the BMI percentile calculation (e.g., gender, age), and the relevant patient demographics supporting surveillance grouping measures (e.g., zip, ethnicity, race, payer). Information is sent to the surveillance program at the jurisdiction's public health department. The health department proactively monitors opportunities for improving healthy weight of the community. By having an EHR built to international standards, improved quality patient information is captured for clinical use, and is sent to public health using the HWfeed. Comparative analysis reports are provided back to the physician to inform their ongoing care quality improvement programs within their clinic. They decide to upgrade their EHR to provide additional supports for guideline based obesity-related care such that they:
  - 810 • Flag patients with abnormal BMI values;
  - Generate prompts for counseling, best practices and diagnostic codes;
  - Print patient education materials;
  - Generate lists or prompts for clinic or community referrals to personnel, programs or resources (see Healthy Weight Use Cases Appendix C)
- 815 • The provider organization chooses to set up a forms manager and interfaces to allow patients to track their physical activity using a kiosk or personal device, in order to increase clinical efficiency and give the provider complete clinical information. The

820 EMR system is configured to send secure healthy weight data from the EHR to a local health information system (e.g., for registries, population level analyses to inform best practices and practice quality improvement feedback) leveraging the same information sharing interface used for routine clinical information exchanges. Public health establishes a healthy weight surveillance program to illuminate areas of need. The Form Manager creates HWS documents to provide information to public health optimizing their interoperability options to capture as much healthy weight data from the jurisdiction community as possible. Using assessment and behavior data for analysis, the program identifies that some regions have significantly higher obesity rates, and particularly low physical activity rates. In order to improve the health of the communities the health education outreach coordinator then contacts the largest employers in the region that employ the occupations with the highest obesity incidence with a proposal to initiate a workplace-base health promotion program focusing on increasing physical activity using a walking program. Additionally, the coordinator contacts the schools with high rates of obesity, and they work together to increase physical activity throughout the day, and programs for Open Playground access in off-school hours.

835 • The physician requests that a patient fill out a chronic disease risk behavior survey in advance of his/her regular visit thru the PHR. Integrate a patient’s personally collected healthy weight data from personal health records (e.g., phr, calorie counters). During the visit, the provider captures the height and weight data and decides to refer the patient for nutrition counseling as a result of the high BMI. A guideline-based obesity care plan is generated and transmitted along with their referral for nutrition counseling using the Healthy Weight Summary (HWS). A guideline-based obesity care plan is generated from the patient’s healthy weight information that can empower patients (e.g., record patient’s healthy weight goals) and transmitted (e.g., facilitating care coordination with other providers). A visit summary is created for patients to review at home or to share with other care providers. The healthy weight summary is available to public health as part of routine exchanges. Public health provides a set of community resources that is available to the nutritionists and patients. As part of the nutrition visit, the provider is able to recommend community resources relevant to the patient's home, school, workplace (e.g., locations of parks, farmers markets, wellness coaching) and update the plan with more specific nutrition goals. The patient uses his/her PHR to track their ongoing diet behaviors to inform the next physician visit. The updated care plan and patient diet tracking is available to inform the next provider visit. Display community resources relevant to the patient's home, school, workplace (e.g., locations of parks, farmers markets, wellness coaching. Receive population-level obesity indicators and display in comparison with a patient's healthy weight status (e.g., dashboard)

855 NOTE: transactions and content for these reports are out of scope for this profile, but are illustrative of the potential uses and data requirements needed for reporting.

#### **X.4.2.1 Use Case #1: Forms Data Capture with Messaging**

860 The Forms Data Capture with Messaging use case uses Retrieve Form transaction (ITI-34) to render a Healthy Weight form for pre-population, and the Form Receiver Message Exporter system transforms the information into an HL7 message to transmit the information to Public Health.

##### **X.4.2.1.1 Forms Data Capture with Messaging Use Case Description**

865 When the visit is completed, a Summary document (e.g., PCC Medical Summary, PCC XPHR, CCD or a MS-HW with more specific Healthy Weight Content requirements) is created. This Summary document is provided as pre-population data to a public health QRPH Healthy Weight Forms Manager. The HW Form Receiver Message Exporter provides the content to the public health surveillance system by way of a transform to the corresponding HWFeed [QRPH-39] message.

##### **X.4.2.1.2 Forms Data Capture with Messaging Process Flow**

870 The Form Filler renders the Health Weight form providing a document from the Summary Document Pre-pop Set for Pre-population by the Form Manager. The user (e.g., patient portal user) completes the form, verifies the accuracy of all information, and submits the form. The Form Receiver Message Exporter transforms the information from the form into an HL7 message and transmits that message to the Healthy Weight information system using the  
875 HWFeed [QRPH-39].

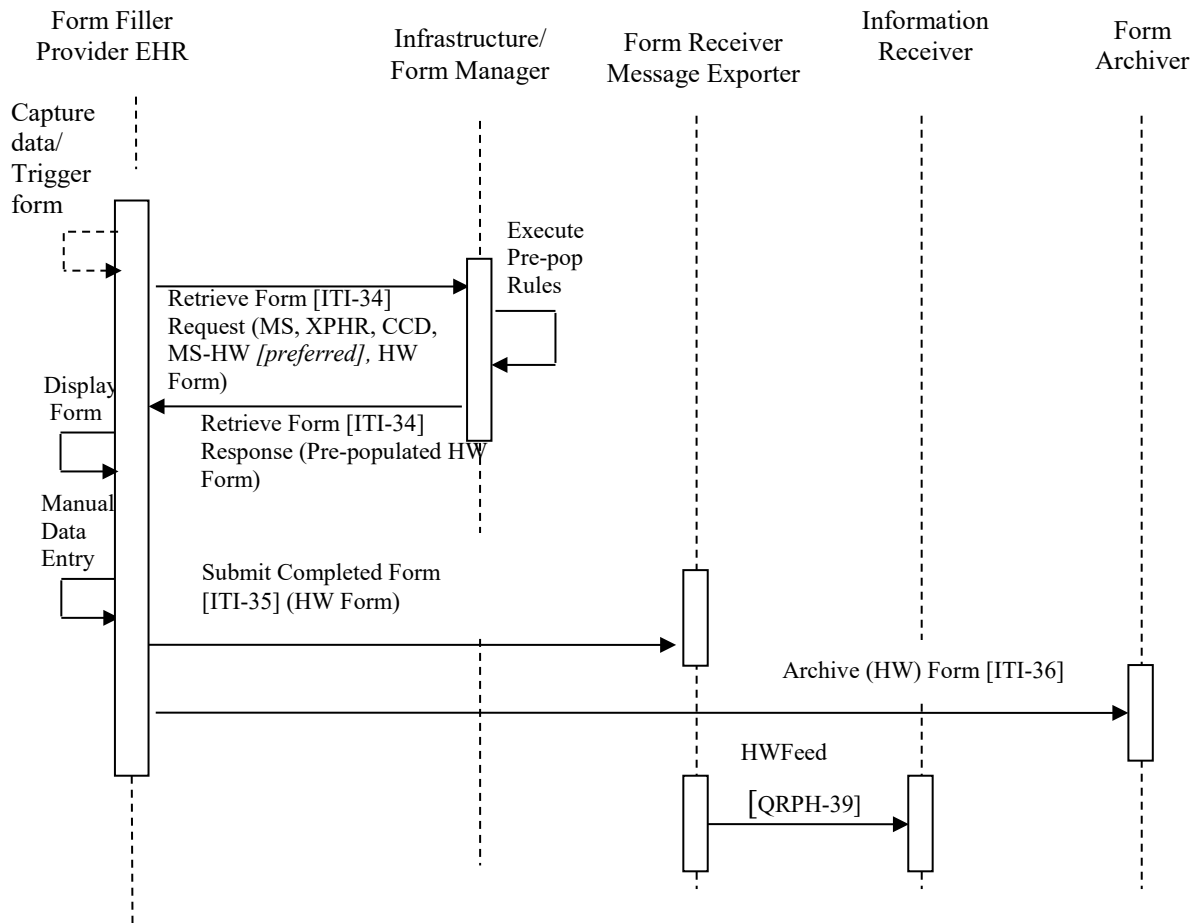


Figure X.4.2.1.2-1: Use Case 1 – Forms Data Capture with Messaging

880 **X.4.2.2 Use Case #2: Forms Data Capture with Document Submission**

The Forms Data Capture with Document Submission use case uses Retrieve Form for Data Capture transaction (ITI-34) to render a Healthy Weight form for pre-population, and the Healthy Weight Form Receiver CDA Exporter system transforms the information into a HWS Document to transmit the information to Public Health.

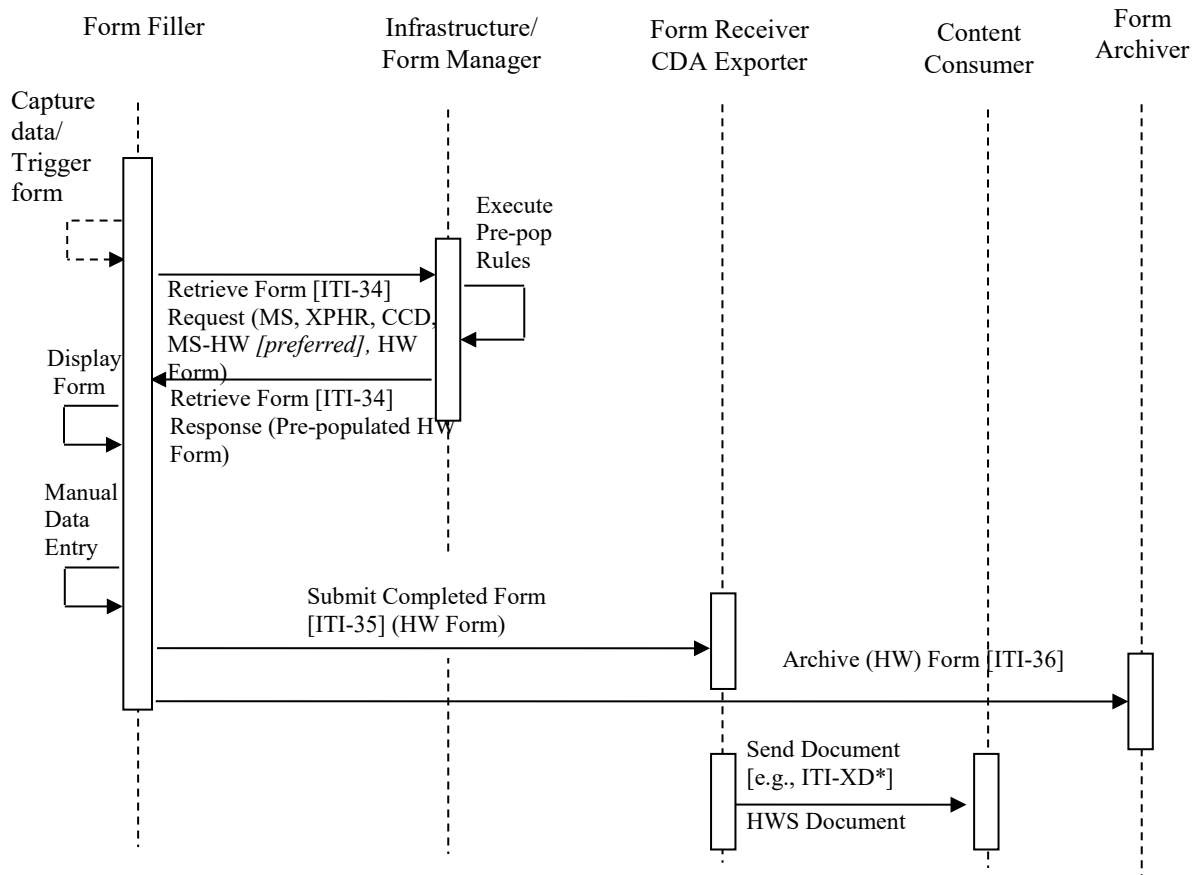
885 **X.4.2.2.1 Forms Data Capture with Document Submission Use Case Description**

When the visit is completed, a document (e.g., PCC Medical Summary, PCC XPHR, CCD) is created or a MS-HW with more specific Healthy Weight Content requirements. This Summary document is provided as pre-population data to a public health ITI Retrieve Form for Data Capture Forms Manager. The Healthy Weight Form Receiver CDA Exporter provides the content to the public health surveillance system by way of a transform to the corresponding Healthy Weight Summary (HWS) Document.

890

**X.4.2.2.2 Forms Data Capture with Document Submission Process Flow**

895 The provider EHR or Patient portal renders the Healthy Weight form providing a document from the Summary Document Pre-pop Set for Pre-population by the Form Manager. The provider completes the form, verifies the accuracy of all information, and submits the form. The Form Receiver CDA Exporter transforms the information from the form into a Healthy Weight Summary (HWS) document and transmits that message to the Healthy Weight Information system.



900

**Figure X.4.2.2-1: Use Case 2 - Forms Data Capture with Document Submission**

**X.4.2.3 Use Case #3: Native Forms Data Capture**

905 The Native Forms Data Capture use case uses Retrieve Form transaction (ITI-34) to render a Healthy Weight form for pre-population. The Form Receiver system is natively integrated into the Healthy Weight Surveillance System.

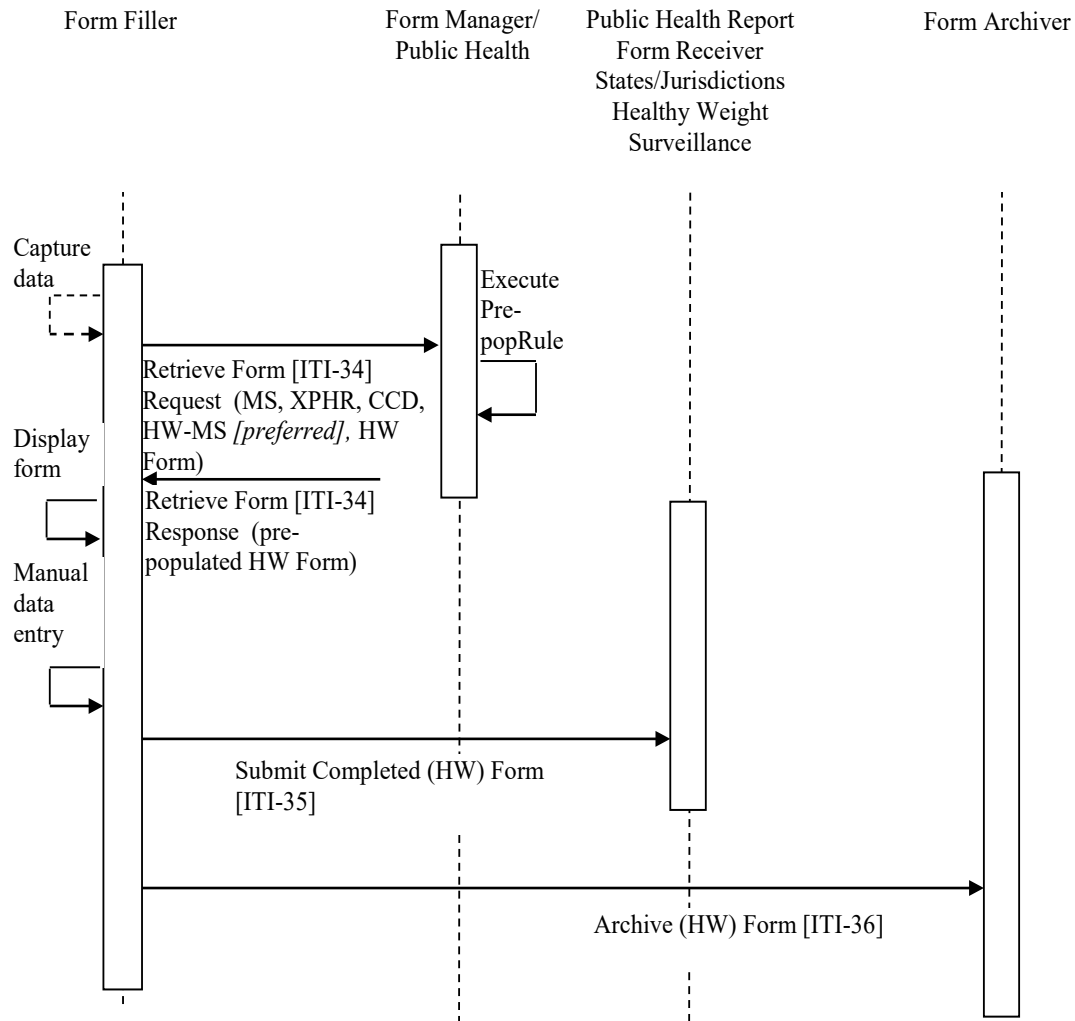
#### **X.4.2.3.1 Native Forms Data Capture Use Case Description**

910 When the visit is completed, a document from the Summary Document Pre-pop Set (e.g., PCC Medical Summary, PCC XPHR, CCD) or a MS-HW with more specific Healthy Weight Content requirements is created. This Summary document is provided as pre-population data to a public health HW Forms Manager. The HW Form Receiver information is consumed directly by the Healthy Weight Information System.

#### **X.4.2.3.2 Native Forms Data Capture Process Flow**

915 The provider EHR renders the HW form providing a document from the Summary Document Pre-pop Set for Pre-population by the Form Manager. The provider completes the form, verifies the accuracy of all information, and submits the form. The HW Form Receiver information is consumed directly by the HW Information System.





920

**Figure X.4.2.3.2-1: Use Case 3 – Native Forms Data Capture**

**X.4.2.4 Use Case #4: HW Messaging**

The HW Messaging use case creates the QRPH-39 message directly and transmits the information to Public Health either from the EHR, or from a service on behalf of the EHR (e.g., Health Information Exchange).

925

**X.4.2.4.1 HW Messaging Use Case Description**

When the visit is completed, the EHR system creates a QRPH-39 message and sends the message to the Public Health Healthy Weight Information system directly.

#### X.4.2.4.2 HW Messaging Process Flow

930 The provider EHR, or a service on behalf of the EHR (e.g., Health Information Exchange), sends the QRPH-39 message to the Healthy Weight Information System.

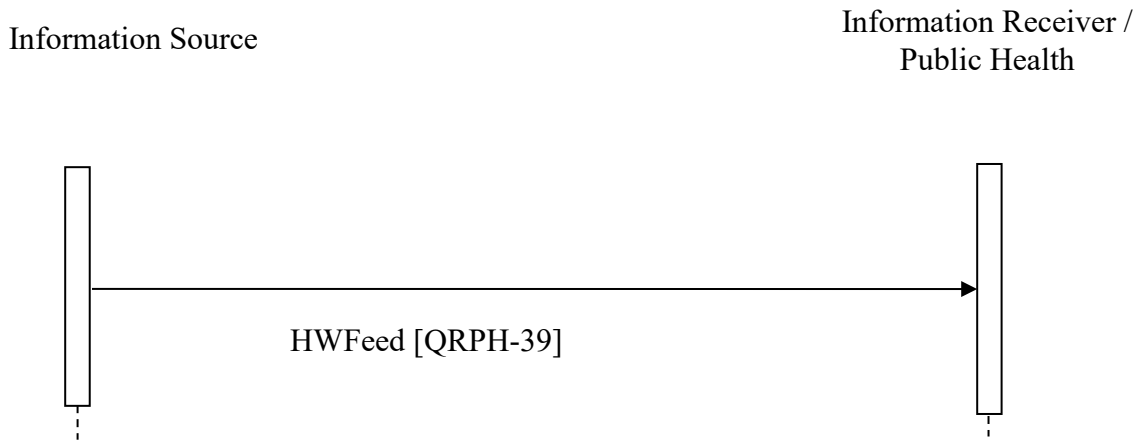


Figure X.4.2.4.2-1: Use Case 4 - HW Messaging

#### X.4.2.5 Use Case #5: HWS Document Submission

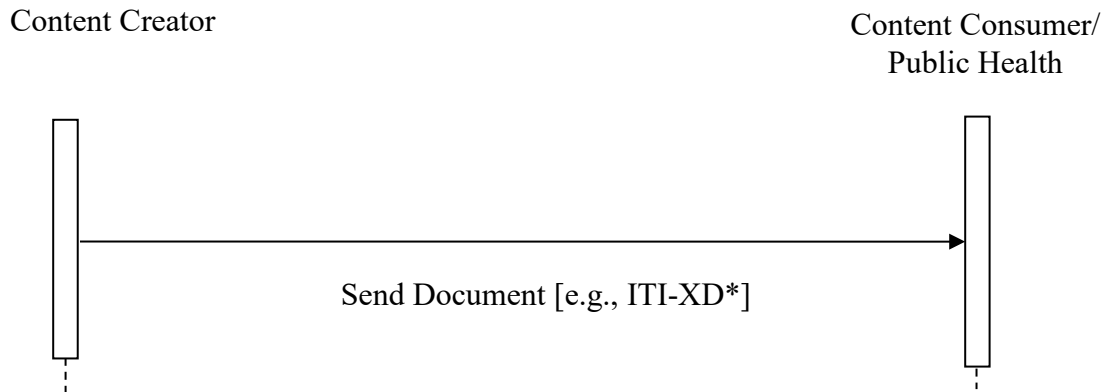
935 In the HWS Document Submission use case, the Content Creator creates the HWS Document directly and transmits the information to Public Health, either from the EHR, a Patient Portal/PHR, or from a service on behalf of these (e.g., Health Information Exchange).

##### X.4.2.5.1 HWS Document Submission Use Case Description

940 When the visit is completed, the EHR system creates an HWS Document and shares this document upon referral to a nutrition counselor, and also sends the document to the Public Health Healthy Weight Information system either directly from the EHR, Patient Portal/PHR, or from a service on behalf of these (e.g., Health Information Exchange).

##### X.4.2.5.2 HWS Document Submission Process Flow

945 The provider EHR or Patient Portal sends the HWS Document to the Healthy Weight Information System (see Section X.6.1) either directly from the EHR, Patient Portal/PHR, or from a service on behalf of these (e.g., Health Information Exchange).



**Figure X.4.2.5.2-1: Use Case 5 – HWS Document Submission**

## 950 **X.5 HW Security Considerations**

HW includes clinical content related to the information subject. As such, it is anticipated that the transfers of Personal Health Information (PHI) will be protected. The ITI ATNA Integration Profile SHOULD be implemented by all of the actors involved in the IHE transactions specified in this profile to protect node-to-node communication and to produce an audit trail of the PHI related actions when they exchange messages, though other private security mechanisms MAY be used to secure content within enterprise managed systems. Details regarding ATNA logging for transactions in this profile are described in the Security Consideration sections Volume 2.

955  
960 The content of the form also results in a legal document, and the Form Manager MAY include a digital signature using ITI Digital Signature (DSG) Profile to assure that the form content submitted cannot be changed.

For security purposes, when sending information to public health, Healthy Weight Information systems will also need to know the identity of the user and the location to identify the data source. In this case, ITI Cross-Enterprise User Assertion (XUA) Profile MAY be utilized to support this implementation.

965 In some jurisdictions, patient identity may need to be protected in Healthy Weight Information systems. This MAY be addressed through Pseudonymization techniques as described by the as described by the Pseudonymization ITI De-identification White Paper.

970 In some jurisdictions, consent may be needed to provide this information to public health. For these cases, the ITI BPPC Integration Profile SHOULD be used to enable this consent management.

### **X.5.1 Security Audit Considerations – Retrieve Form [ITI-34] (ADT)**

The Retrieve Form Transaction is a PHI-Export event, as defined in ITI TF-2a: Table 3.20.6-1. The actors involved in the transaction SHALL create audit data in conformance with Retrieve Form [ITI-34] audit messages as defined in QRPH Trial Implementation Supplement CRD: 5.Z.3.1 Retrieve Form [ITI-34] audit messages where such PHI Audit required by Jurisdictional Law.

### **X.5.2 Security Audit Considerations – Submit Form [ITI-35] audit messages**

The Submit Form Transaction MAY be a PHI-Export event, as defined in ITI TF-2a: Table 3.20.6-1. The actors involved in the transaction SHALL create audit data in conformance with Submit Form [ITI-35] audit messages as defined in QRPH Trial Implementation Supplement CRD: 5.Z.3.2 Submit Form [ITI-35] audit messages where such PHI Audit is required by Jurisdictional Law.

### **X.5.3 Security Audit Considerations – Archive Form [ITI-36] audit messages**

The Archive Form Transaction MAY be a PHI-Export event, as defined in ITI TF-2a: Table 3.20.6-1. The actors involved in the transaction SHALL create audit data in conformance with Archive Form [ITI-36] audit messages as defined in QRPH Trial Implementation Supplement CRD: 5.Z.3.3 Archive Form [ITI-36] audit messages where such PHI Audit is required by Jurisdictional Law.

## **X.6 HW Cross Profile Considerations**

The following informative narrative is offered as implementation guidance.

### **X.6.1 XDS.b, XDM, or XDR – Cross Enterprise Document Sharing.b, Cross Enterprise Document Media Interchange, or Cross Enterprise Document Reliable Interchange**

The use of the XD\* family of profiles is encouraged to support standards-based interoperability between systems acting as the HW Content Creator and HW Content Consumer. However, this profile does not require any groupings with ITI XD\* actors to facilitate transport of the content document it defines. Below is a summary of *recommended* IHE transport transactions that MAY be utilized by systems playing the roles of HW Content Creator or HW Content Consumer to support the standard use case defined in this profile:

- A Document Source in XDS.b, a Portable Media Creator in XDM, or a Document Source in XDR might be grouped with the HW Content Creator. A Document Consumer in XDS.b, a Portable Media Importer in XDM, or a Document Recipient in XDR might be grouped with the HW Content Consumer,
- A registry/repository-based infrastructure is defined by the ITI Cross Enterprise Document Sharing (XDS.b) that includes profile support that can be leveraged to facilitate retrieval of public health related information from a document sharing

infrastructure: Multi-Patient Query (MPQ), Document Metadata Subscription (DSUB) and notification of availability of documents (NAV).

- 1010
- All of these infrastructure profiles require security and privacy through the use of the Consistent Time (CT) and Audit Trail and Node Authentication (ATNA) Profiles. A Time Client in CT might be grouped with the HW Content Creator and the HW Content Consumer. A Secure Node and/or a Secure Application in ATNA might be grouped with the HW Content Creator and the HW Content Consumer.

1015 Detailed description of these transactions can be found in the IT Infrastructure Technical Framework.

### **X.6.2 Sharing Value Set (SVS)**

A HW Form Manager may support the Value Set Consumer Sharing Value Set (SVS) Integration Profile in order to use a common uniform managed vocabulary for dynamic management of form mapping rules.

## **1020 X.7 Data elements**

This profile has need for specific form data element content. That set of data that must be in the form in the course of prepop and in the form of data export. Those data elements are described in Appendix B.

## Appendices

### 1025 Appendix A – Sample Healthy Weight Form

The following sample Healthy Weight form is derived from the content of the Healthy Weight Summary document. This material is informative and not required of vendor implementations.

Please answer the following questions	Response	
<b>Demographics</b>		
Patient Name		Patient Address
Mother's Education Level (if patient <= 21 years old)	Doctoral or post graduate education <input type="checkbox"/> Graduate or professional Degree complete <input type="checkbox"/> Some post-baccalaureate education <input type="checkbox"/> College or baccalaureate degree complete <input type="checkbox"/> Some College education <input type="checkbox"/>	Associate's or technical degree complete <input type="checkbox"/> High School or secondary school degree complete <input type="checkbox"/> Some secondary or high school education <input type="checkbox"/> Elementary School <input type="checkbox"/>
Father's Education Level (if patient <= 21 years old)	Doctoral or post graduate education <input type="checkbox"/> Graduate or professional Degree complete <input type="checkbox"/> Some post-baccalaureate education <input type="checkbox"/> College or baccalaureate degree complete <input type="checkbox"/> Some College education <input type="checkbox"/>	Associate's or technical degree complete <input type="checkbox"/> High School or secondary school degree complete <input type="checkbox"/> Some secondary or high school education <input type="checkbox"/> Elementary School <input type="checkbox"/>
Patient's Education Level (if patient > 18 years old)	Doctoral or post graduate education <input type="checkbox"/> Graduate or professional Degree complete <input type="checkbox"/> Some post-baccalaureate education <input type="checkbox"/> College or baccalaureate degree complete <input type="checkbox"/> Some College education <input type="checkbox"/>	Associate's or technical degree complete <input type="checkbox"/> High School or secondary school degree complete <input type="checkbox"/> Some secondary or high school education <input type="checkbox"/> Elementary School <input type="checkbox"/>
Patient's Grade Level (if patient <= 21 years old)	_____ <b>Grade (1-16)</b>	
Household Income	Which category Represents the total combined income of all members of your FAMILY during the past 12 months? This includes money from jobs, net income from business, farm or rent, pensions, dividends, interest, social security payments and other money income received by members of your FAMILY who are 15 years of age or older	\$ _____ <b>per/year</b>
<b>Continuity of Care</b>		
<b>List of problems</b>	<b>Drop-down selection(s)</b>	
<b>List of Laboratory Results</b>	<b>Drop-down selection(s)</b>	
<b>List of Medications</b>	<b>Drop-down selection(s)</b>	
<b>Anthropometrics</b>		
<b>Height</b>	<b>The patient's height</b>	

IHE Quality, Research and Public Health Technical Framework Supplement – Healthy Weight (HW)

<b>Weight</b>	<b>The patient's weight</b>
---------------	-----------------------------

Please answer the following questions about diet	Response
Birth through 21 years <b>Frequency fruit-flavored and sports drinks (Sugar-Sweetened Beverages intake):</b> Yesterday, how many times did you drink any punch, Kool-Aid®, Tampico, other fruit-flavored drinks, or sports drinks? Do not count 100% fruit juice	_____ # Times per day
Birth through 21 years <b>Frequency of soft drinks (Sugar-Sweetened Beverages intake):</b> Yesterday, how many times did you drink any regular (not diet) sodas or soft drinks, including Penafiel?	_____ # Times per day
<b>Frequency of Water Intake:</b> Yesterday, how many times did you drink bottles or glasses of water? Include plain water, sparkling or any other water drink that has 0 calories.	_____ # Times per day
6 months to 21 years <b>Frequency of Vegetable Intake:</b> Yesterday, how many times did you eat vegetables? Vegetables are all cooked and uncooked vegetables; salads. Do not count French fries, fried potatoes, or potato chips.	_____ # Times per day
<b>Frequency of Fruit Intake (Non-juice):</b> Yesterday, how many times did you eat fruit? Do not count fruit juice. Please think about all forms of fruits, including cooked or raw, fresh, frozen or canned.	_____ # Times per day
<b>Frequency of Fruit Intake (100% fruit juice):</b> Yesterday, how many times did you drink fruit juice? Fruit juice is a drink, which is 100% juice, like orange juice, apple juice, or grape juice. Do not count punch, Kool-Aid®, Tampico, sports drinks, or other fruit-flavored drinks.	_____ # Times per day
<b>Frequency of Fast Food Intake:</b> Yesterday, how many times did you eat food from any type of restaurant? This includes restaurants such as fast food, sit down restaurants, buffet restaurants, taco shops, donut shops, and pizza places.	_____ # Times per day
Birth to less than 18 months <b>Currently Breastfeeding:</b> Is your child Breast Fed?	Y <input type="checkbox"/> N <input type="checkbox"/>
If less than 12 months <b>Consuming Infant Formula:</b> How much formula does your child drink per day	_____ # Oz per day
Women that are breastfeeding or infants up to 18 months <b>patient having trouble breastfeeding:</b> Are you having any problems breastfeeding?	Y <input type="checkbox"/> N <input type="checkbox"/>
Birth to less than 12 months <b>Complimentary Foods:</b> Is the patient fed something other than breast milk or formula? Please include juice, cow's milk, sugar water, baby food, or anything else that [child] may have been given, even water.	Y <input type="checkbox"/> N <input type="checkbox"/>
Birth to less than 12 months <b>Addition of Cereal to Bottle:</b> Do you add cereal to your baby's bottle of formula or pumped (or expressed) breast milk in the past two weeks?	Y <input type="checkbox"/> N <input type="checkbox"/>
1 through 21 years. Yesterday, how much milk did the patient drink?	_____ # ounces
1 through 21 years <b>Frequency of Healthy Snacks:</b> Yesterday, what percent of snacks were healthy?	_____ %
1 through 21 years. <b>Frequency of Family Meals:</b> In the past week, how many times were dinners prepared at home and eaten together at the dinner table as a family?	_____ # Times per week

IHE Quality, Research and Public Health Technical Framework Supplement – Healthy Weight (HW)

<p><b>Food Insecurity:</b> How often in the past 12 months would you say you were worried or stressed about having enough money to buy nutritious meals?</p>	<p>1 – Always <input type="checkbox"/>                  2 – Usually <input type="checkbox"/>                  3 – Sometimes <input type="checkbox"/>                  4 – Rarely <input type="checkbox"/>                  5 – Never <input type="checkbox"/>                  8 - Not applicable <input type="checkbox"/>                  7 - Don't know / Not sure <input type="checkbox"/>                  9 - Refused <input type="checkbox"/></p>
<p><b>Fatty Food Intake:</b> Yesterday, did the patient eat French fries or chips?                  Examples are: potato chips, tortilla chips, Cheetos®, corn chips, or other snack chips.</p> <ul style="list-style-type: none"> <li>• No, the patient didn't eat any French fries or chips yesterday.</li> <li>• Yes, the patient ate French fries or chips 1 time yesterday.</li> <li>• Yes, the patient ate French fries or chips 2 times yesterday.</li> <li>• Yes, the patient ate French fries or chips 3 or more times yesterday.</li> </ul>	<p>Y <input type="checkbox"/> N <input type="checkbox"/></p>

1030

Please answer the following questions about exercise and sleep	Response
<p><b>Exercise Frequency :</b>  <b>For Children and Adolescents:</b> Days per week of physical activity (any kind of physical activity that increased his/her heart rate and made him/her breathe hard some of the time)</p> <p><b>For adults:</b> Days per week of moderate to strenuous exercise (like a brisk walk)</p>	<p>_____ # days/wk</p> <p>_____ # days/wk</p>
<p><b>Exercise Duration :</b>  <b>For Children and Adolescents:</b> In the past week, minutes per day of physical activity at this level</p> <p><b>For adults:</b> In the past week, minutes per day of exercise at this level</p>	<p>_____ # min/day</p> <p>_____ # min/day</p>
<p><b>Screen- Time (TV/DVDs):</b> On a typical day in the past week, how much time did you spend watching TV/DVDs? (Answer separately for WEEKDAY and WEEKEND DAYS)</p>	<p>___ hrs ___ min/day WEEKDAY</p> <p>___ hrs ___ min/day WEEKEND DAYS</p>
<p><b>Screen- Time (video games and computer games):</b> On a typical day in the past week, how much time did you spend playing video games and computer games? (Answer separately for WEEKDAY and WEEKEND DAYS)</p>	<p>___ hrs ___ min/day WEEKDAY</p> <p>___ hrs ___ min/day WEEKEND DAYS</p>
<p><b>Bedtime:</b> What time do you / does your child usually go to bed?</p>	<p>___ : ___ AM <input type="checkbox"/> PM <input type="checkbox"/></p>
<p><b>Hours of Sleep per night:</b> In the past week, on average, how much time did you / your child sleep during a usual 24-hour period? Please include night time sleep and day time naps.</p>	<p>___ hrs ___ min/day</p>
<p><b>Pregnancy Status:</b> Are you currently pregnant?</p>	<p>Y <input type="checkbox"/> N <input type="checkbox"/> N/A <input type="checkbox"/></p>
<p><b>Readiness for improved nutrition:</b> On a scale of 1-10 with 1 representing no readiness to change and 10 representing an exceptional readiness for change, please rate your / your child's readiness to improve your nutrition.</p>	<p>___ Rating (1-10)</p>
<p><b>Readiness for improved sleep pattern:</b> On a scale of 1-10 with 1 representing no readiness to change and 10 representing an exceptional readiness for change, please rate your / your child's readiness to improve your sleep habits.</p>	<p>___ Rating (1-10)</p>



IHE Quality, Research and Public Health Technical Framework Supplement – Healthy Weight (HW)

---

<i>Readiness for improved exercise:</i> On a scale of 1-10 with 1 representing no readiness to change and 10 representing an exceptional readiness for change, please rate your / your child's readiness to improve your exercise habits.	___ <b>Rating (1-10)</b>
<i>Readiness for improved screen time:</i> On a scale of 1-10 with 1 representing no readiness to change and 10 representing an exceptional readiness for change, please rate your / your child's readiness to improve your screen time habits.	___ <b>Rating (1-10)</b>

## Appendix B – Data Elements

1035 The following data elements are used in healthy weight care management and public health analytics. Details regarding optionality, structures, and vocabularies/value sets are documented in QRPH TF-3: 6.3.1.D1.4.1 Data Element Requirement Mappings to CDA:

Element	Description
<b>Assessment: Socio-Demographic Characteristics</b>	
Name	Patient's Name
Phone Number – Home	Phone Number – Home Included for patient matching
Religious Affiliation	Optional Religious Affiliation to support diet impact on weight
Mother's Maiden Name	Mother's Maiden Name included for pediatric patient matching
Patient Identifier List	Patient Identifier List Included for pediatric patient matching, including driver's license number, and social security number if applicable
Patient Multiple Birth Indicator	Patient Multiple Birth Indicator Included for pediatric patient matching
Patient Birth Order	Patient Birth Order Included for pediatric patient matching
Patient Account Number	Patient Account Number Included for patient matching
Date/Time of Birth	Patient's date and time of birth
Administrative Sex	Patient's sex.
Language	Languages Spoken
Race	Race(s) that best describes what the patient considers himself/herself to be
Ethnic Group	Patient's ethnicity
Address (may be used to support Geographic grouping purposes)	Patient's address (e.g., Country, County, State, City, Street, Zip Code)
Next of Kin:	Parent/caregiver contact information: Name Relationship Address Phone Number
Education Level	Highest Level of Education Received by patient
Household Income	Income level of the household where the patient resides
Insurance Information	Patient's Insurance details (e.g., insurance company)
<b>Assessment: Setting (Note: Recorded in Social History)</b>	
School Name	Name of School, including Early care and Education, After school and daycare
Occupational Data for Health Occupational Data •	Occupation information including: Employment Status Observation <ul style="list-style-type: none"> <li>• Past or Present Occupation Observation <ul style="list-style-type: none"> <li>○ Past or Present Industry Observation</li> </ul> </li> </ul>

IHE Quality, Research and Public Health Technical Framework Supplement – Healthy Weight (HW)

Element	Description
	<ul style="list-style-type: none"> <li>○ Job Employment Type Observation</li> <li>○ Work Schedule Observation               <ul style="list-style-type: none"> <li>▪ Weekly Work Hours Observation</li> <li>▪ Weekly Work Days Observation</li> </ul> </li> <li>Usual Occupation Observation               <ul style="list-style-type: none"> <li>• Usual Occupation Duration Observation</li> </ul> </li> <li>Usual Industry Observation               <ul style="list-style-type: none"> <li>• Usual Industry Duration Observation</li> <li>•</li> </ul> </li> </ul>
<b>Assessment: Provider Visit Information</b>	
Provider Visit Information	<ul style="list-style-type: none"> <li>• Provider’s name</li> <li>• Provider’s ID</li> <li>• Provider Address</li> <li>• Provider Phone</li> <li>• Visit Information including: Date of visit</li> </ul>
<b>Assessment: Anthropometric Measurements</b>	
Height	Patient’s height, captured for patients 2 through 22 years. Patient Height and Weight are used for computing Body Mass Index (BMI) and are used with other demographics to compute BMI Percentile (see Appendix D)
Recumbent Length	Length of the patient lying down, captured for patients from birth to less than 2 years old as the ‘height’. Patient Height and Weight are used for computing Body Mass Index (BMI) and are used with other demographics to compute BMI Percentile (see Appendix D)
Weight (with or without clothes and shoes)	Patient’s weight. Patient Height and Weight are used for computing Body Mass Index (BMI) and are used with other demographics to compute BMI Percentile (see Appendix D)
Waist Circumference	A measurement of the distance around the smallest part of the abdomen
Skin Folds	The layer of skin and subcutaneous fat raised by pinching the skin and letting the underlying muscle fall back to the bone.
Measured Percentage of Body Fat	Measured Percentage of body fat (e.g., using a bio-impedance device)
Blood Pressure	The pressure of the blood within the arteries.
Heart rate/Pulse	The number of pulse beats per minute.
BMI and BMI for age percentile for age/gender as appropriate for the child	A number calculated from weight and height (see Appendix D)
<b>Assessment: Active Problems</b>	
Weight Associated Conditions	Conditions that are associated with obesity that may be excluded or adjusted for in the calculation of BMI (e.g., pregnancy, prematurity, amputation), may influence weight or height (e.g., Prader Willi, acondroplasia), and/or are a result of increased BMI (e.g., hypertension, hypercholesterolemia), or are a combination of the above (e.g., diabetes).

IHE Quality, Research and Public Health Technical Framework Supplement – Healthy Weight (HW)

Element	Description
<b>Behaviors (primarily aspects of Social History)</b>	
<p>Behavior Assessment</p> <p>Patient reported current weight related behaviors. The way in which a person responds to a specific set of conditions. In the context of healthy weight, this includes an individual’s characteristics that impact weight management. For example:</p> <ul style="list-style-type: none"> <li>• Dietary Behaviors (e.g., Intake of Water, Sugar-sweetened beverages, Vegetables, Fruit, Breast milk, Calcium, Energy, etc.)</li> <li>• Physical Activity and Sedentary Behaviors (e.g., Screen time e.g., TV/video/computer (minutes/day), exercise (minutes/day))</li> <li>• Sleep-related Behaviors</li> <li>• Assessment of readiness to change one weight-related behavior</li> </ul>	
<i>Infant Feeding</i>	
Currently Breastfeeding	Is the patient Breast Fed?
Consuming Infant Formula	How much formula does the patient drink per day?
Complimentary Foods	Is the patient fed something other than breast milk or formula? Please include juice, cow’s milk, sugar water, baby food, or anything else that [child] may have been given, even water.
Patient having trouble breastfeeding	Is the patient having any problems breastfeeding?
Addition of Cereal to Bottle	Did you add cereal to your baby’s bottle of formula or pumped (or expressed) breast milk in the past two weeks?
<i>Drinks</i>	
Frequency of Sugar-Sweetened Beverages (SSB) intake (fruit-flavored drinks, sports drinks)	Yesterday, how many times did the patient drink any punch, Kool-Aid®, Tampico, other fruit-flavored drinks, or sports drinks? Do not count 100% fruit juice.
Frequency of sugar-sweetened beverages (SSB) intake (soft drinks)	Yesterday, how many times did the patient drink any regular (not diet) sodas or soft drinks
Frequency of Water Intake	Yesterday, how many times did the patient drink bottles or glasses of water? Include plain water, sparkling or any other water drink that has 0 calories.
Frequency of Milk Intake	1 through 21 years. Yesterday, how much milk did the patient drink?
<i>Fruits</i>	
Frequency of 100% Fruit intake (juice)	Yesterday, how many times did the patient drink 100% fruit juice? Fruit juice is a drink, which is 100% juice, like orange juice, apple juice, or grape juice. Do not count punch, Kool-Aid®, Tampico, sports drinks, or other fruit-flavored drinks
Frequency of Fruit Intake (Non-juice)	Yesterday, how many times the patient you eat fruit? Do not count fruit juice. Please think about all forms of fruits, including cooked or raw, fresh, frozen or canned.
<i>Vegetables</i>	
Frequency of Vegetable Intake	Yesterday, how many times did the patient eat any vegetables? Vegetables are all cooked and uncooked vegetables; salads. Do not count French fries, fried potatoes, or potato chips
<i>Nutrition Quality</i>	
Frequency of Healthy Snacks	Yesterday, what percent of snacks were healthy? A healthy snack may include whole, cut or frozen fruits without added sugar, and whole or cooked vegetables.

IHE Quality, Research and Public Health Technical Framework Supplement – Healthy Weight (HW)

Element	Description
Frequency of Family Meals	In the past week, how many times were dinners prepared at home and eaten together at the dinner table as a family?
Frequency of restaurant food intake	Yesterday, how many times did the patient eat food from any type of restaurant? This includes restaurants such as fast food, sit down restaurants, buffet restaurants, taco shops, donut shops, and pizza places.
Frequency of Fatty Foods Intake	Yesterday, did the patient eat French fries or chips? Examples are: potato chips, tortilla chips, Cheetos®, corn chips, or other snack chips.
Dietary Behavior (Findings)	Dietary behaviors to be answered with SNOMED-CT findings
Food Insecurity	How often in the past 12 months would you say you were worried or stressed about having enough money to buy nutritious meals?
<i>Physical Activity</i>	
Frequency of Physical Activity	For Children and Adolescents: 'Days per week of physical activity (any kind of physical activity that increased his/her heart rate and made him/her breathe hard some of the time)'  For Adults: 'Days per week of moderate to strenuous exercise (like a brisk walk)'
Exercise Duration	Minutes per day of physical activity at this level.
<i>Screen Time</i>	
Frequency of Screen-Time (TV/DVDs)	On a typical day in the past week, how much time did you spend watching TV/DVDs? (Answer separately for weekday and weekend days)
Frequency of Screen-Time (video games and computer games)	On a typical day in the past week, how much time did you spend playing video games and computer games? (Answer separately for weekday and weekend days)
<i>Sleep</i>	
Bedtime	At what time do you usually go to bed
Hours of Sleep per night	How many Hrs do you normally sleep
<i>Readiness for improved behaviors</i>	
Readiness for Change for Improved Nutrition	On a scale of 1-10 with 1 representing no readiness to change and 10 representing an exceptional readiness for change, please rate the patient's readiness to improve his/her nutrition.
Readiness for Change for Improved Sleep Patterns	On a scale of 1-10 with 1 representing no readiness to change and 10 representing an exceptional readiness for change, please rate the patient's readiness to improve his/her sleep habits.
Readiness for Change for Improved Exercise	On a scale of 1-10 with 1 representing no readiness to change and 10 representing an exceptional readiness for change, please rate the patient's readiness to improve his/her exercise habits.
Readiness for Change for Improved Screen-time	On a scale of 1-10 with 1 representing no readiness to change and 10 representing an exceptional readiness for change, please rate the patient's readiness to improve his/her screen time

IHE Quality, Research and Public Health Technical Framework Supplement – Healthy Weight (HW)

Element	Description
	habits.
<b>Continuity of Care</b>	
Procedures and Interventions	History of Interventions including: <ul style="list-style-type: none"> <li>• Healthy Weight Interventions (Value Set) e.g.,                             <ul style="list-style-type: none"> <li>○ Referral (e.g., weight management program, dietitian, physical activity specialists)</li> <li>○ In-Office Education (e.g., nutrition counseling, physical activity counseling, community resources)</li> <li>○ Surgical Interventions</li> </ul> </li> </ul>
Medications	All Current Medications including, but not limited to Weight Influencing Medications and Weight Management Medications (value sets not specified)
Active Problems	All Problems Including: <ul style="list-style-type: none"> <li>• Mother Breastfeeding</li> <li>• Pregnancy Status</li> <li>• Weight Associated Conditions</li> </ul>
Family History	Family History including: <ul style="list-style-type: none"> <li>• HW Influencing Family History (Value Set) (e.g., Parental Obesity, CVD, HTN, Dyslipidemia, NIDDM, Insulin Resistance)</li> <li>• Other Family History that are part of continuity of care</li> </ul>
Laboratory Results	Results from laboratory testing including : <ul style="list-style-type: none"> <li>• HW Laboratory Results (Value Set)</li> </ul>
<b>Setting Goals and Supplying a care plan</b>	
Medications	New prescriptions
Goals	Prevention and treatment of obesity requires the adoption of healthy behaviors. Best available evidence has shown that goal setting by patients and where applicable, parents in collaboration with a primary care team, when coupled with appropriate messaging and planning to achieve those goals, can lead to long-term behavior change and prevention and reduction of obesity. The EHR can support goal setting by enabling families and primary care teams to select one or more goals from a set of potential behaviors in need of change, for example: <ul style="list-style-type: none"> <li>• reducing intake of sugary beverages,</li> <li>• increasing physical activity,</li> <li>• obtaining sufficient sleep</li> </ul> Goal selection may be selected from structured lists or selected in an open-ended manner. These goals can then be linked with a tailored set of activities and resources. Goals may be documented as Recommended Goals or Individualized Goals.
Procedures and Interventions	History of Interventions including: <ul style="list-style-type: none"> <li>• Referral (e.g., weight management program, dietitian, physical activity specialists)</li> <li>• In-Office Education (e.g., nutrition counseling, physical</li> </ul>

IHE Quality, Research and Public Health Technical Framework Supplement – Healthy Weight (HW)

Element	Description
	activity counseling, community resources) <ul style="list-style-type: none"> <li>• Surgical Interventions</li> </ul>
<b>Identification of Resources</b>	
Resources to support goals	After identifying goals, barriers, and supports, patients and families must identify actionable strategies to achieve their goals. For example: <ul style="list-style-type: none"> <li>• One key strategy is that primary care teams identify and link patients to resources in the community that can support                             <ul style="list-style-type: none"> <li>○ Improving diet (green grocery stores, farmers markets, nutrition counselors, etc.)</li> <li>○ Physical activity (YMCA, dance programs, parks and recreational areas, trainers/coaches, etc.)</li> </ul> </li> </ul> Documentation of barriers and supports to attaining selected goals may be selected from structured lists or selected in an open-ended manner. The EHR may capture and store a tailored set of resources within the clinical care system and the community where the patient resides.

1040 **Appendix C – Body Mass Index Concepts**

The following are key standardized definitions of body mass index (BMI) concepts for children and adults:

<b>BMI Concept</b>	<b>Definition</b>
<b>Body Mass Index (BMI)</b>	<p>Body Mass Index (BMI) is a number calculated from weight and height:</p> $\text{BMI} = \frac{\text{weight (kg)}}{[\text{height (m)}]^2}$ <p>BMI is a simple, widely used, and inexpensive indicator of body fatness, and it correlates moderately well with more accurate measures of fatness (e.g., DXA, underwater weighing). There are, however, some groups (e.g., athletes, members of the military) for whom BMI can be inaccurate indicator of body fatness. BMI tends to be more accurate among persons with relatively high levels of body fatness.</p> <p>A link to the formula for calculating BMI is <a href="http://www.cdc.gov/healthyweight/assessing/bmi/childrens_bmi/childrens_bmi_formula.html">http://www.cdc.gov/healthyweight/assessing/bmi/childrens_bmi/childrens_bmi_formula.html</a></p>
<b>BMI z-score and percentiles</b>	<p>Among children and adolescents (ages, 2 to 18 years), BMI levels differ between boys and girls, and across ages. Therefore, for a BMI value to be interpretable among children and adolescents, it is necessary to express it as a z-score (standard deviation score) or as a percentile relative to children of the same sex and age in the CDC reference population. (This representative population consists of data collected from 1963 to 1980).</p> <p>For children and adolescents, BMI values are expressed as z-scores or percentiles relative to children of the same sex and age in the CDC reference population.</p> <p>The equation is:</p> $\text{BMI Z-score} = \frac{(\text{BMI} \div \text{M})^L - 1}{L \times S}$ <p>in which M is the median BMI for the specified age and sex, S is the coefficient of variation, and L is the exponent needed to normalize the BMI distribution.</p> <p>This z-score can be transformed into a percentile based on the normal distribution (e.g., a child with a z-score of 1.645 has a BMI that is at the 95<sup>th</sup> percentile and would be considered to be obese).</p> <p>The links for calculating a child’s BMI, along with his sex and age, are <a href="http://www.cdc.gov/growthcharts/computer_programs.htm">http://www.cdc.gov/growthcharts/computer_programs.htm</a>  <a href="http://www.cdc.gov/healthyweight/assessing/bmi/childrens_bmi/tool_for_schools.html">http://www.cdc.gov/healthyweight/assessing/bmi/childrens_bmi/tool_for_schools.html</a></p>
<b>Weight-for-Length z-score and percentiles</b>	<p>For children less than 2 years (24 months) of age, weight-for-length, rather than BMI, is the preferred indicator. The reference population is the WHO Multicentre Growth Reference Study.</p> <p>Links for information on the WHO population and weight-for-length are: <a href="http://www.cdc.gov/mmwr/preview/mmwrhtml/rr5909a1.htm">http://www.cdc.gov/mmwr/preview/mmwrhtml/rr5909a1.htm</a>  <a href="http://www.who.int/childgrowth/mgrs/en/">http://www.who.int/childgrowth/mgrs/en/</a></p>



BMI Concept	Definition
<b>Classification of weight status: Adults</b>	<ul style="list-style-type: none"> <li>• <b>Underweight:</b> BMI &lt; 18.5 kg/m<sup>2</sup></li> <li>• <b>Normal weight:</b> 18.5 to &lt; 25.0 kg/m<sup>2</sup></li> <li>• <b>Overweight:</b> 25.0 to &lt; 30.0 kg/m<sup>2</sup></li> <li>• <b>Obese:</b> ≥ 30 kg/m<sup>2</sup></li> </ul>
<b>Classification of weight status: Children and Adolescents</b>	<p>Among children and adolescents (ages, 2 to 18 years), weight classification categories are based on levels of BMI expressed relative to the CDC reference population:</p> <ul style="list-style-type: none"> <li>• <b>Underweight:</b> BMI &lt;5<sup>th</sup> percentile for a child’s sex and age</li> <li>• <b>Normal weight:</b> ≥ 5<sup>th</sup> percentile and &lt;85<sup>th</sup> percentile</li> <li>• <b>Overweight:</b> ≥ 85<sup>th</sup> percentile to &lt;95<sup>th</sup> percentile</li> <li>• <b>Obese:</b> ≥95<sup>th</sup> percentile</li> </ul>

1045

## Volume 2 – Transactions

Add Section 3.39

### 3.39 HWFeed [QRPH-39]

#### 3.39.1 Scope

1050 This transaction is used to communicate healthy weight information from the Information Source or Form Receiver Message Exporter to the Information Recipient. This transaction may alternatively be initiated by a Form Receiver Message Exporter and communicated to the Information Recipient. This transaction uses the *HL7Version 2.5.1 Implementation Guide: Height and Weight Report, Release 1 (US Realm)* to communicate this content. The transaction payload is limited to those attributes defined by this implementation guide and does not include the plan and risk assessment content.

1055

#### 3.39.2 Actor Roles

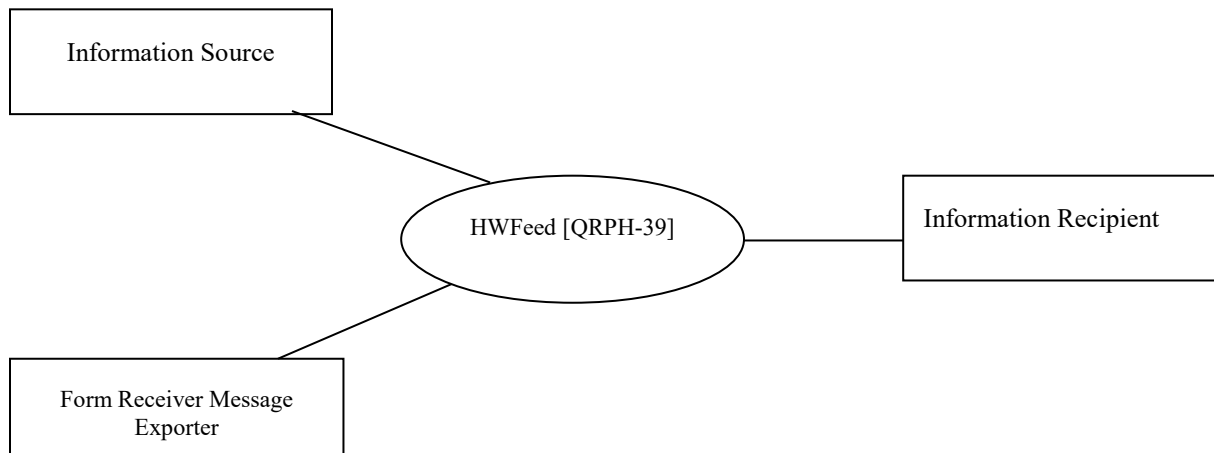


Figure 3.39.2-1: QRPH-39 Use Case Diagram

1060

Table 3.39.2-1: Actor Roles

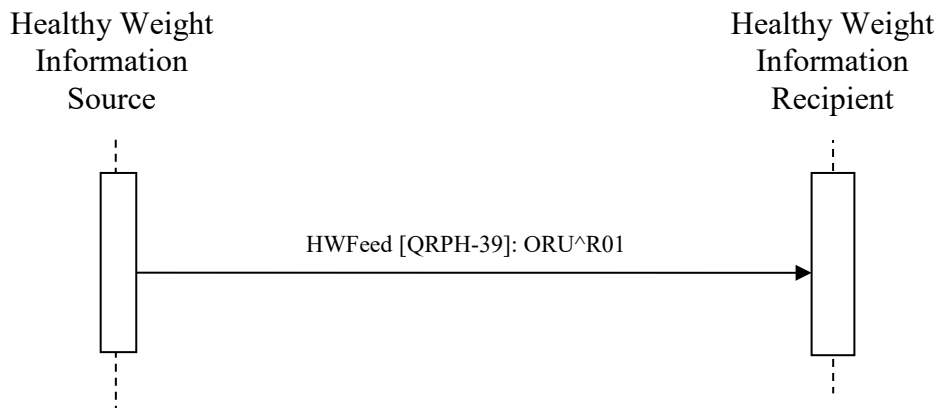
<b>Actor:</b>	Information Source
<b>Role:</b>	The Information Source is responsible for the creation of an HL7 V2.5.1 message containing the healthy weight attributes and transmitting this message to an Information Recipient
<b>Actor:</b>	Information Recipient

<b>Role:</b>	The Information Recipient is responsible for receiving the HL7 V2.5.1 message containing the healthy weight attributes and from the Information Source
<b>Actor:</b>	Form Receiver Message Exporter
<b>Role:</b>	The Form Receiver Message Exporter receives data submitted through the Submit Form [ITI-35] transaction, transforms that data, and sends it to an Information Recipient in an HL7 V2.5.1 message using the HW Feed [QRPH-39] transaction. QRPH TF-2:3.39.4.1 contains the specification for QRPH-39, and QRPH TF-3: Table 6.3.1.D1.4.2 specifies how the Form Receiver Message Exporter maps Data Elements from the form into the HL7 V2.5.1 ORU in QRPH-39.

### 3.39.3 Referenced Standards

HL7 Version 2.5.1 Implementation Guide: Height and Weight Report, Release 1 (US Realm)

### 3.39.4 Interaction Diagram



1065

#### 3.39.4.1 HWFeed [QRPH-39]

This transaction transmits the HL7 V2.5.1 formatted message containing the Body Mass Index (BMI) information from the Information Source or the Form Receiver Message Exporter to the Information Recipient. A given Information Recipient implemented at a public health jurisdiction may receive this transaction from multiple sources.

1070

##### 3.39.4.1.1 Trigger Events

This message is triggered when a Content Creator or a Form Receiver Message Exporter wants to send height and weight information to a Content Consumer. The Information Source or Form

1075 Receiver Message Exporter receives this information via human input and a Form Receiver Message Exporter receives electronic information through an electronic data capture.

### 3.39.4.1.2 Message Semantics

The segments of the message listed below are required as indicated in the HL7 Version 2.5.1 Implementation Guide: Height and Weight Report, Release 1 (US Realm) and their detailed descriptions are provided in the following subsections.

1080 Required segments for the HWFeed [QRPH-39] are defined below. Other segments are optional. This transaction does not require Information Source or Form Receiver Message Exporter Actors to include any attributes not already required by the corresponding HL7 message. This transaction does not require Information Recipient Actors to support attributes beyond what is required by the corresponding HL7 message.

1085 When a patient’s histories of height and weight measurements are available and are sent together, each pair of height and weight measurements shall be grouped and sent in a separate OBR segment. In this case, multiple OBRs are contained in the message. See ITI TF-2x: Appendix C "HI7 Profiling Conventions" for further explanation regarding conventions used in the tables in this section.

1090 **Table 3.39.4.1.2-1: ORU^R01 Messages**

Segment	Optionality	Cardinality	Meaning	Chapter in HL7 2.5.1 IG
MSH	R	[1..1]	Message Header	3.3.1
SFT	O	[0..*]	Software Segment	3.3.2
EVN	R	[1..1]	Event	NA
PID	R	[1..1]	Patient Identification	3.3.3
PD1	R2	[0..1]	Patient Demographic	3.3.4
NTE	O	[0..*]	Notes and Comments	3.3.5
NK1	R2	[0..*]	Next of Kin	3.3.6
PV1	R	[1..1]	Patient Visit Information	3.3.7
PV2	O	[0..1]	Patient Visit	3.3.8
[{	R	[1..*]	Order_Observation Begin	The ORU^R01 message SHALL contain at least one Order_Observation group that contains height and weight observations. When height and weight histories are sent, the Order_Observation group SHALL repeat, therefore, more than one OBR segment is contained in the message.
OBR	R	[1..1]	Observation Request	3.3.9
[{	R	[2..*]	Observation Begin	The Order_Observation group SHALL contain

Segment	Optionality	Cardinality	Meaning	Chapter in HL7 2.5.1 IG
				both a height observation and a weight observation. The height and weight observations SHALL be measured on the same day.
OBX	R	[1..1]	Observation/Result	3.3.10
}			Observation End	
}			Order_Observation End	

The ORU^R01 message SHALL contain an ORDER\_OBSERVATION group with:

- a) an OBR segment in which OBR.4 is valued “HWR^Height and weight report^L” in the first triplet AND
- 1095 b) an OBX segment in which OBX.3.1 is valued with a code from the 99HEIGHT value set AND
- c) an OBX segment in which OBX.3.1 is valued with a code from the 99WEIGHT value set AND
- 1100 d) where values of OBX.14 for the height and weight measurement are equivalent to the precision of the day (at minimum).

### 3.39.4.1.2.1 MSH Segment

The Information Source or Form Receiver Message Exporter SHALL populate MSH segment. The Information Recipient SHALL have the ability to accept and process this segment.

1105 MSH segment shall be constructed as defined in ITI TF-2x: C.2.2 “Message Control” and with further specifications as below:

**Table 3.39.4.1.2.1-1: IHE Profile – MSH segment**

SEQ	LEN	DT	OPT	TBL#	Card 1	ITEM #	ELEMENT NAME	Description/Comments
1	1	ST	R		[1..1]	00001	Field Separator	MSH-1 (Field Separator) SHALL contain the constant value ‘ ’.
2	4	ST	R		[1..1]	00002	Encoding Characters	MSH-2 (Encoding Characters) SHALL contain the constant value ‘^~\&’ or the constant value ‘^~\&#’.
3	180	HD	R2		[0..1]	00003	Sending Application	
4	180	HD	R2		[0..1]	00004	Sending Facility	

IHE Quality, Research and Public Health Technical Framework Supplement – Healthy Weight (HW)

SEQ	LEN	DT	OPT	TBL#	Card 1	ITEM #	ELEMENT NAME	Description/Comments
5	180	HD	R2		[0..1]	00005	Receiving Application	
6	180	HD	R2		[0..1]	00006	Receiving Facility	
7	26	TS	R		[1..1]	00007	Date/Time Of Message	
8	40	ST	O			00008	Security	
9	13	CM	R	0076/ 0003	[1..1]	00009	Message Type	MSH-9 (Message Type) <b>SHALL</b> contain the constant value 'ORU^R01^ORU_R01' for ORU messages.  MSH-9 (Message Type) <b>SHALL</b> contain the constant value 'ACK^R01^ACK' for ACK messages.
10	20	ST	R		[1..1]	00010	Message Control ID	
11	3	PT	R		[1..1]	00011	Processing ID	
12	60	VID	R	0104	[1..1]	00012	Version ID	MSH-12.1 (Version ID) <b>SHALL</b> contain the constant value '2.5.1'
13	15	NM	O			00013	Sequence Number	
14	180	ST	O			00014	Continuation Pointer	
15	2	ID	O	0155		00015	Accept Acknowledgment Type	
16	2	ID	<b>R</b>	0155	[1..1]	00104	Application Acknowledgment Type	Change from RE to R HL70155 MSH-16 (Application Acknowledgement Type) <b>SHALL</b> contain the constant value 'AL' for ORU messages. MSH-16 (Application Acknowledgement Type) <b>SHALL</b> contain the constant value 'NE' for ACK messages.
17	3	ID	O	0399		00017	Country Code	
18	16	ID	C	0211		00692	Character Set	
19	250	CE	O			00693	Principal Language Of Message	

SEQ	LEN	DT	OPT	TBL#	Card 1	ITEM #	ELEMENT NAME	Description/Comments
20	20	ID	O	0356		01317	Alternate Character Set Handling Scheme	
21	427	E1	<b>R</b>		<b>[1..*]</b>	01598	Message Profile Identifier #	An occurrence of MSH-21 (Message Profile Identifier) SHALL be valued with MSH.21 .1 valued with 'hwrProfile' AND MSH.21.3 value with '2.16.840.1.113883.9.29' AND MSH.21.4 valued with 'ISO' for ORU messages.  An occurrence of MSH-21 (Message Profile Identifier) SHALL be valued with MSH.21 .1 valued with 'hwrProfile-ACK' AND MSH.21.3 value with '2.16.840.1.113883.9.29' AND MSH.21.4 valued with 'ISO' for ACK messages

<sup>1</sup> See base HL7 standard for cardinality for optional attributes

### 3.39.4.1.2.2 EVN Segment

1110 See ITI TF-2x: C.2.4 for the list of all required and optional fields within the optional EVN segment.

### 3.39.4.1.2.3 PID Segment

The Information Source or Form Receiver Message Exporter SHALL populate PID segment. The Information Recipient SHALL have the ability to accept and process this segment. Bolded text in the table below highlights areas in this profile that are different from the underlying HL7 message (HL7 Version 2.5.1 Implementation Guide: Height and Weight Report, Release 1 (US Realm) (DSTU)).

1115  
1120 NOTE: For consistency with communities that support ITI-PIX and ITI-PDQ, this PID segment contains the fields necessary to support an ITI-21 Patient Demographic query transaction and contains the minimum fields necessary to support the ITI-8 Patient Identity Feed transaction.

**Table 3.39.4.1.2.3-1: IHE Profile - PID segment**

SEQ	LEN	DT	OPT	TBL#	Card 1	ITEM#	ELEMENT NAME	Description/Comments
1	4	SI	R2		[0..1]	00104	Set ID - Patient ID	(Set ID - PID) SHALL be valued with the constant value '1'.
2	20	CX	X			00105	Patient ID	Excluded for this Implementation Guide
3	250	CX	R		[1..*]	00106	Patient Identifier List	
4	20	CX	X			00107	Alternate Patient ID	
5	250	XP N	R		[1..*]	00108	Patient Name	The first repetition shall contain the legal name. Multiple given names or initials are separated by spaces.  In the first occurrence of <b>PID-5</b> (Patient Name), PID.5.7 (Name Type) <b>SHALL</b> be valued with the constant value 'L'.
6	250	XP N	R2		[0..1]	00109	Mother's Maiden Name	(Name Type) <b>SHALL</b> be valued with the constant value 'M'.  <b>NOTE: required for BMI surveillance as well as for the Pediatric Demographics Option in the relevant ITI profiles</b>
7	26	TS	R		[1..1]	00110	Date/Time of Birth	<b>This is a required data element for BMI surveillance.</b>  <b>Must have month, day, and year.</b>
8	1	IS	R	0001	[1..1]	00111	Administrative Sex	Patient's sex. This is a required data element for BMI surveillance.
9	250	XP N	X			00112	Patient Alias	Excluded for this Implementation Guide "
10	250	CE	R2	0005	[0..*]	00113	Race	This is a required data element for BMI surveillance, it must be sent if race is available to sender.
11	250	XA D	R2		[0..*]	00114	Patient Address	The first repetition should be the primary address.



IHE Quality, Research and Public Health Technical Framework Supplement – Healthy Weight (HW)

SEQ	LEN	DT	OPT	TBL#	Card 1	ITEM#	ELEMENT NAME	Description/Comments
12	4	IS	X	0289		00115	County Code	Excluded for this Implementation Guide County is contained in the PID-11 Patient Address field.
13	250	XT N	R2		[0..*]	00116	Phone Number – Home	The first instance shall be the primary phone number. Only one item is allowed per repetition. <b>NOTE: required if known for BMI surveillance as well as for the Pediatric Demographics Option in the relevant ITI profiles</b>
14	250	XT N	O			00117	Phone Number – Business	
15	250	CE	O	0296		00118	Primary Language	
16	250	CE	O	0002		00119	Marital Status	
17	250	CE	O	0006		00120	Religion	
18	250	CX	O			00121	Patient Account Number	
19	16	ST	X			00122	SSN Number – Patient	Excluded for this Implementation Guide
20	25	DL N	X			00123	Driver's License Number - Patient	Excluded for this Implementation Guide
21	250	CX	O			00124	<b>Mother's Identifier</b>	<b>This attribute is listed as 'Not Supported' in the underlying BMI HL7 2.5.1 IG.</b>  <b>When the attribute is populated, the HW Information receiver shall either accept this information or ignore the attribute, but SHALL NOT raise an application error</b>
22	250	CE	R2	0189	[0..*]	00125	Ethnic Group	This is a required data element for BMI surveillance, it must be sent if ethnicity group is available to sender.
23	250	ST	R2		[0..1]	00126	<b>Birth Place</b>	

IHE Quality, Research and Public Health Technical Framework Supplement – Healthy Weight (HW)

SEQ	LEN	DT	OPT	TBL#	Card 1	ITEM#	ELEMENT NAME	Description/Comments
24	1	ID	R2	0136	[0..1]	00127	Multiple Birth Indicator	This field is required if known for the Pediatrics Demographic Option in the relevant ITI profiles. It serves to help avoid linking records for twins, which are often nearly identical.
25	2	NM	C(R2 /O)		[0..1]	00128	Birth Order	Condition Predicate: If PID-24 (Multiple Birth Indicator) is valued "Y" This field contains a number indicating the person's birth order, with 1 for the first child born and 2 for the second.
26	250	CE	O	0171		00129	Citizenship	
27	250	CE	O	0172		00130	Veterans Military Status	
28	250	CE	O	0212		00739	Nationality	
29	26	TS	O			00740	Patient Death Date and Time	
30	1	ID	O	0136		00741	Patient Death Indicator	
31			O				Identity Unknown Indicator	
32			O				Identity Reliability Code	
33			R2		[0..1]		Last Update Date/Time	This field is required if known for the Pediatrics Demographic Option in the relevant ITI profiles. It serves to help avoid linking records for twins, whose records are often nearly identical,
34			R2			[0..1]	Last Update Facility	This field is required if known for the Pediatrics Demographic Option in the relevant ITI profiles. It serves to help avoid linking records for twins, whose records are often nearly identical, when used in conjunction with PID-33.
35			X				Species Code	Excluded for this Implementation Guide
36			X				Breed Code	Excluded for this Implementation Guide

SEQ	LEN	DT	OPT	TBL#	Card 1	ITEM#	ELEMENT NAME	Description/Comments
37			X				Strain	Excluded for this Implementation Guide
38			X				Production Class Code	Excluded for this Implementation Guide
39			X				Tribal Citizenship	Excluded for this Implementation Guide

*Adapted from the HL7 standard, Version 2.5.1*

1125 <sup>1</sup> See base HL7 standard for cardinality for optional attributes

This message shall use the field PID-3 Patient Identifier List to convey the Patient ID uniquely identifying the patient within a given Patient Identification Domain.

1130 The Information Source or Form Receiver Message Exporter Actor shall provide the patient identifier in the ID component (first component) of the PID-3 field (PID-3.1). The Information Source or Form Receiver Message Exporter Actor shall use component PID-3.4 to convey the assigning authority (Patient Identification Domain) of the patient identifier. Either the first subcomponent (namespace ID) or the second and third subcomponents (universal ID and universal ID type) shall be populated. If all three subcomponents are populated, the first subcomponent shall reference the same entity as is referenced by the second and third components.

#### **3.39.4.1.2.4 PD1 Patient Demographic Segment**

No further constraints are required of the PD1 segment from the corresponding HL7 message (HL7 Version 2.5.1 Implementation Guide: Height and Weight Report, Release 1 (US Realm)).

#### **1140 3.39.4.1.2.5 NTE Segment**

No further constraints are required of the PD1 segment from the corresponding HL7 message (HL7 Version 2.5.1 Implementation Guide: Height and Weight Report, Release 1 (US Realm)).

#### **3.39.4.1.2.6 NK1 Segment**

1145 The Information Source or Form Receiver Message Exporter SHALL populate NK1 segment when available. The Information Recipient SHALL have the ability to accept and process this segment.

No further constraints are required of the NK1 segment from the corresponding HL7 message (HL7 Version 2.5.1 Implementation Guide: Height and Weight Report, Release 1 (US Realm)).

#### **3.39.4.1.2.7 PV1 Segment**

1150 The Information Source or Form Receiver Message Exporter MAY populate PV1 segment. The Information Recipient SHALL have the ability to accept and process this segment.

No further constraints are required of the PV1 segment from the corresponding HL7 message (HL7 Version 2.5.1 Implementation Guide: Height and Weight Report, Release 1 (US Realm)).

### 3.39.4.1.2.8 PV2 Segment

1155 The Information Source or Form Receiver Message Exporter MAY populate PV2 segment. The Information Recipient SHALL have the ability to accept and process this segment.

No further constraints are required of the PV2 segment from the corresponding HL7 message (HL7 Version 2.5.1 Implementation Guide: Height and Weight Report, Release 1 (US Realm)).

### 3.39.4.1.2.9 OBR Segment

1160 The Information Source or Form Receiver Message Exporter SHALL populate OBR segment. The Information Recipient SHALL have the ability to accept and process this segment.

The following constraints are required of the OBR segment from the corresponding HL7 message (HL7 Version 2.5.1 Implementation Guide: Height and Weight Report, Release 1 (US Realm)):

1165 **Table 3.39.4.1.2.9-1: IHE Profile - OBR segment**

SEQ	LEN	DT	OPT	TBL#	Card 1	ITEM #	ELEMENT NAME	Description/Comments
1	1	ST	R		[1..1]	00001	Field Separator	The value of OBR-1 (Set ID - OBR) SHALL start at '1' and be incremented sequentially within an Order Observation group.
2	22	EI	2		[0..1]	00216	Placer Order Number	
3	22	EI	R		[1..1]	00217	Filler Order Number	
4	250	CE	R	99HW R	[1..1]	00238	Universal Service Identifier	OBR-4.1 (Universal Service Identifier.Identifier) SHALL contain the constant value 'HWR'.  OBR-4.2 (Universal Service Identifier.Text) SHALL contain the constant value 'Height and weight report'.  OBR-4.3 (Universal Service Identifier.Name of Coding System) SHALL contain the constant value 'L'.
5	2	ID	X			00239	Priority – OBR	
6	26	TS	X			00240	Requested Date/Time	

IHE Quality, Research and Public Health Technical Framework Supplement – Healthy Weight (HW)

SEQ	LEN	DT	OPT	TBL#	Card 1	ITEM #	ELEMENT NAME	Description/Comments
7	26	TS	R		[1..1]	00241	Observation Date/Time #	OBR-7 (Observation Date/Time) SHALL be supported to the precision of Minutes (MM).  OBR-22 (Observation Date/Time SHALL send to the precision of the Day (DD) and SHALL send to the precision of Minutes (MM) if known.
8	26	TS	O			00242	Observation End Date/Time #	
9	20	CQ	X			00243	Collection Volume	
10	250	XC N	O			00244	Collector Identifier	
11	1	ID	X			00245	Specimen Action Code	
12	250	CE	X			00246	Danger Code	
13	300	ST	O			00247	Relevant Clinical Information	
14	26	TS	X			00248	Specimen Received Date/Time	
15	300	SPS	X			00249	Specimen Source	
16	250	XC N	R2		[0..1]	00226	Ordering Provider	
17	250	XT N	O			00250	Order Callback Phone Number	
18	60	ST	O			00251	Placer Field 1	
19	60	ST	O			00252	Placer Field 2	
20	60	ST	O			00253	Filler Field 1 +	
21	60	ST	O			00254	Filler Field 2 +	
22	26	TS	R		[1..1]	00255	Results Rpt/Status Chng - Date/Time +	OBR-22 (Results Rpt/Status Chng - Date/Time) SHALL be supported to the precision of Minutes (MM).  OBR-22 (Results Rpt/Status Chng - Date/Time) SHALL send to the precision of the Day (DD) and SHALL send to the precision of Minutes (MM) if known.

IHE Quality, Research and Public Health Technical Framework Supplement – Healthy Weight (HW)

SEQ	LEN	DT	OPT	TBL#	Card 1	ITEM #	ELEMENT NAME	Description/Comments
23	40	MO C	O			00256	Charge to Practice +	
24	10	ID	O			00257	Diagnostic Serv Sect ID	
25	1	ID	R	HL701 23 (constr ained)	[1..1]	00258	Result Status +	
26	400	PRL	O			00259	Parent Result +	
27	200	TQ	X			00221	Quantity/Timin g	
28	250	XC N	O			00260	Result Copies To	
29	200	EIP	O			00261	Parent	
30	20	ID	X			00262	Transportation Mode	
31			O				Reason for Study	
32			O				Principal Result Interpreter	
33			O				Assistant Result Interpreter	
34			X				Technician	
35			X				Transcriptionist	
36			O				Scheduled Date/Time	
37	4	NM	X			01028	Number of Sample Containers	
40	250	CE	X			01031	Transport Arrangement Responsibility	
41	30	ID	X			01032	Transport Arranged	
42	1	ID	X			01033	Escort Required	
43	250	CE	X			01034	Planned Patient Transport Comment	
44			O				Procedure Code	
45			O				Procedure Code Modifier	
46			O				Placer Supplemental Service Information	

SEQ	LEN	DT	OPT	TBL#	Card <sup>1</sup>	ITEM #	ELEMENT NAME	Description/Comments
47			O				Filler Supplemental Service Information	
48	250	CW E	X			01646	Medically Necessary Duplicate Procedure Reason.	
49			X				Result Handling	
50			O				Parent Universal Service Identifier	

<sup>1</sup> See base HL7 standard for cardinality for optional attributes

### 3.39.4.1.2.10 OBX Segment

1170 The Information Source or Form Receiver Message Exporter SHALL minimally populate two OBX segment within an Order\_Observation Group of cardinality of [2..\*], one for height, and one for weight. The Information Recipient SHALL have the ability to accept and process this segment.

1175 The following constraints are required of the OBX segment from the corresponding HL7 message (HL7 Version 2.5.1 Implementation Guide: Height and Weight Report, Release 1 (US Realm)):

**Table 3.39.4.1.2.10-1: IHE Profile – OBX segment**

SEQ	LEN	DT	OPT	TBL#	Card <sup>1</sup>	ITEM#	ELEMENT NAME	Description/Comments
1	1	SI	R		[1..1]		Set ID – OBX	The value of OBX-1 (Set ID – OBX) SHALL be valued sequentially starting the value ‘1’ within a given segment group.
2		ID	R		[1..1]		Value Type	If OBX-3.1 (Identifier) is valued with a code from the 99HEIGHT or 99WEIGHT value set, then OBX-2 (Value type) SHALL be valued with ‘NM’ (numeric). If OBX-3.1 (Identifier) is valued with the LOINC code ‘44100-6’, ‘48768-6’, or ‘8352-7’, then OBX-2 (Value type) SHALL be valued with ‘CWE’.

IHE Quality, Research and Public Health Technical Framework Supplement – Healthy Weight (HW)

SEQ	LEN	DT	OPT	TBL#	Card <sup>1</sup>	ITE M#	ELEMENT NAME	Description/Comments
3		CE	R	Varies (99HEI GHT, 99WEI GHT)	[1..1]		Observation Identifier	<p>If this is an observation for height, OBX-3 SHALL be valued with a LOINC code from the user defined table 99HEIGHT.</p> <p>If this is an observation for weight, OBX-3 SHALL be valued with a LOINC code from the user defined table 99WEIGHT.</p> <p>If this is an observation for weight associated conditions, OBX-3 SHALL be valued with the LOINC code '44100-6'.</p> <p>If this is an observation for clothing worn during measure, OBX-3.1 SHALL be valued with the LOINC code '8352-7'</p> <p>If this is an observation for payer type, OBX-3.1 SHALL be valued with the LOINC code '48768-6'.</p>
4		ST	O		[0..1]		Observation Sub-ID	



IHE Quality, Research and Public Health Technical Framework Supplement – Healthy Weight (HW)

SEQ	LEN	DT	OPT	TBL#	Card <sup>1</sup>	ITE M#	ELEMENT NAME	Description/Comments
5		Varies	C(R/R 2)	Varies (Weight Associated Conditions value set (1.3.6.1.4.1.19376.1.7.3.1.1.23.8.19) Source of Payment Typology value set (2.16.840.1.114222.4.11.3591) 99CLOTHING)	[0..1]		Observation Value	<p>Condition Predicate: If OBX-3.1 (Identifier) contains the LOINC code from user defined tables 99HEIGHT or 99WEIGHT</p> <p>If OBX-3.1 (Identifier) contains the LOINC code from user defined tables 99HEIGHT or 99WEIGHT, then OBX-5 SHALL be a numeric value.</p> <p>If OBX.3.1 (Identifier) contains the LOINC code for medical problems ('44100-6'), then OBX-5.1 SHALL be valued with a code from the Weight Associated Conditions value set (1.3.6.1.4.1.19376.1.7.3.1.1.23.8.19) AND OBX-5.3 SHALL be valued 'SNT'</p> <p>If OBX.3.1 (Identifier) contains the LOINC code for payer type ('48768-6'), then OBX-5.1 SHALL be valued with a code from the Source of Payment Typology value set (2.16.840.1.114222.4.11.3591), and OBX-5.3 SHALL be valued 'PAYER'.</p> <p>If OBX.3.1 (Identifier) contains the LOINC code for clothing worn during measure ('8352-7'), then OBX-5.1 SHALL be valued with a code from the 99CLOTHING value set AND OBX-5.3 SHALL be valued 'LN'.</p>
6		CE	C(R/R 2)	Unified Code for Units of Measure (UCUM)	[0..1]		Units	<p>If OBX-3.1 (Identifier) is valued with a code from the 99HEIGHT value set, then OBX-6.1 (Identifier) SHALL be valued with a code from the 99HUNIT value set.</p> <p>If OBX-3.1 (Identifier) is valued with a code from the 99WEIGHT value set, then OBX-6.1 (identifier) SHALL be valued with a code from the 99WUNIT value set.</p>
7			O				References Range	
8			O				Abnormal Flags	

IHE Quality, Research and Public Health Technical Framework Supplement – Healthy Weight (HW)

SEQ	LEN	DT	OPT	TBL#	Card <sup>1</sup>	ITE M#	ELEMENT NAME	Description/Comments
9			O				Probability	
10			O				Nature of Abnormal Test	
11			R		[1..1]		Observation Result Status	
12			O				Effective Date of Reference Range	
13			O				User-Defined Access Checks	
14		TS	R		[1..1]		Date/Time of the Observation	<p>For a given height and weight observation (OBR) pair the height (OBX-3.1 is a code from the 99HEIGHT value set) observation date/time (OBX.14) SHALL be valued identical to the weight (OBX-3.1 is a code from the 99WEIGHT value set) observation date/time (OBX.14).</p> <p>OBX.14 (Date/Time of the Observation) SHALL be supported to the precision of Minutes (MM).</p> <p>OBX.14 (Date/Time of the Observation) SHALL send to the precision of the Day (DD) and SHALL send to the precision of Minutes (MM) if known.</p>
15			O				Producer's Reference	
16			O				Responsible Observer	
17			O				Observation Method	
18			O				Equipment Instance Identifier	
19			O				Date/Time of the Analysis	
20			X				Reserved for harmonization with Version 2.6.	

SEQ	LEN	DT	OPT	TBL#	Card <sup>1</sup>	ITE M#	ELEMENT NAME	Description/Comments
21			X				Reserved for harmonization with Version 2.6.	
22			X				Reserved for harmonization with Version 2.6.	
23			O				Performing Organization Name	
24			O				Performing Organization Address	
25			O				Performing Organization Medical Director	

<sup>1</sup> see base HL7 standard for cardinality for optional attributes

### 3.39.4.1.3 Expected Actions

1180 This Information Recipient shall accept and process the contents of the ORU message according to the capabilities of its application. This processing is not constrained by IHE

#### 3.39.4.1.3.1 ACK

1185 The Acknowledgement Message ACK SHALL be built according to the HL7 V2.5.1 standard, following the acknowledgement rules described in ITI TF-2:C.2.3 (IT Infrastructure Technical Framework, Volume 2, Appendix C.2.3 Acknowledgment Modes).

#### 3.39.4.1.4 Sample Message

The Following Sample Message shows the encoding of multiple instances of Height and Weight recorded on different days:

1190 MSH|^~\&|^2.16.840.1.113883.3.2030.9000^ISO|^2.16.840.1.113883.3.2030.9001^ISO|^2.16.840.1.113883.3.9998^ISO|^2.16.840.1.113883.3.9999^ISO|20130610131205-0500||ORU^R01^ORU\_R01|1294441246474|T|2.5.1|||AL|||||hwrProfile^^2.16.840.1.113883.9.29^ISO

1195 PID|1||PATID1001^^^&2.16.840.1.113883.3.2030.9005.1&ISO^MR||Anderson^Sally^^^^^L||20060930|F||2106-3^White^HL70005|3345 16th Street^^Fargo^ND^54102^USA^H^^017^||^PRN^PH^^^701^4548989|||||||||N^Not Hispanic or Latino^HL70189||N|

NK1|1|Anderson^John^^^^^L|FTH^Father^HL70063|3345 16th Street^^Fargo^ND^54102^USA^H^^017^|^PRN^PH^^^701^4548989

1200 OBR|1||890003^^2.16.840.1.113883.3.2030.9003^ISO|HWR^Height and weight report^L|||20130708125022-0500|||||55555^Family^Fay^^^^^^&2.16.840.1.113883.3.2030.9006.1&ISO^L^^^NPI|||||20130708145022-0500|||F

1205 OBX|1|NM|3137-7^body height measured^LN|1|142|cm^centimeter^UCUM|||||F|||20130708125022-0500

OBX|2|NM|3141-9^body weight measured^LN|1|31|kg^kilogram^UCUM|||||F|||20130708125022-0500

OBX|3|CWE|3141-9^clothing worn during measure^LN|1|LA11872-1^street clothes, no shoes^LN|||||F|||20130708125022-0500

1210 OBX|4|CWE|3141-9^medical problems^LN|1|195967001^Asthma^SNT|||||F|||20130708

OBX|5|CWE|48768-6^payer type^LN|1|2^Medicaid^PAYER|||||F|||20130708

1215 OBR|2||750002^^2.16.840.1.113883.3.2030.9003^ISO|HWR^Height and weight report^L|||20130612|||||55555^Family^Fay^^^^^^&2.16.840.1.113883.3.2030.9006.1&ISO^L^^^NPI|||||20130612125022-0500|||F

OBX|1|NM|3137-7^body height measured^LN|1|142|cm^centimeter^UCUM|||||F|||20130612125022-0500

OBX|2|NM|3141-9^body weight measured^LN|1|31|kg^kilogram^UCUM|||||F|||20130612125022-0500

1220 OBX|3|CWE|3141-9^clothing worn during measure^LN|1|LA11872-1^street clothes, no shoes^LN|||||F|||20130612125022-0500

OBX|4|CWE|3141-9^medical problems^LN|1|195967001^Asthma^SNT|||||F|||20130612

OBX|5|CWE|48768-6^payer type^LN|1|2^Medicaid^PAYER|||||F|||20130612

## 1225 3.39.5 Security Considerations

### 3.39.5.1 Security Audit Considerations

#### 3.39.5.1.1 HWFeed [QRPH-39] (ORU^R01) Security Audit Considerations

1230 An Information Source or Form Receiver Message Exporter that also supports an ATNA Secure Node or application shall audit QRPH-39 as "Export" events as defined in ITI TF-2a: Table 3.20.6-1. The following tables show items that are required to be part of the audit record for these specific HWFeed transactions.

##### 3.39.5.1.1.1 Information Source Actor audit message:

IHE Quality, Research and Public Health Technical Framework Supplement – Healthy Weight (HW)

	Field Name	Opt	Value Constraints
<b>Event</b> AuditMessage/ EventIdentification	EventID	M	EV(110106, DCM, "Export")
	EventActionCode	M	"C" (create)
	EventDateTime	M	not specialized
	EventOutcomeIndicator	M	not specialized
	EventTypeCode	M	EV("QRPH-39", "IHE Transactions", "HWFeed")
Source (Information Source Actor) (1)			
Human Requestor (0..n)			
Destination (Information Recipient Actor) (1)			
Audit Source (Information Source Actor) (1)			
Patient (1)			

Where:

<b>Source</b> AuditMessage/ ActiveParticipant	UserID	M	The identity of the Information Source Actor facility and sending application from the HL7 message; concatenated together, separated by the   character.
	AlternativeUserID	M	The process ID as used within the local operating system in the local system logs.
	UserName	U	not specialized
	UserIsRequestor	M	not specialized
	RoleIDCode	M	EV(110153, DCM, "Source")
	NetworkAccessPointTypeCode	M	"1" for machine (DNS) name, "2" for IP address
	NetworkAccessPointID	M	The machine name or IP address, as specified in DICOM <sup>5</sup> PS 3.15 A.5.4.

1235

<b>Human Requestor (if known)</b> AuditMessage/ ActiveParticipant	UserID	M	Identity of the human that initiated the transaction.
	AlternativeUserID	U	not specialized
	UserName	U	not specialized
	UserIsRequestor	M	not specialized
	RoleIDCode	U	Access Control role(s) the user holds that allows this transaction.
	NetworkAccessPointTypeCode	NA	
	NetworkAccessPointID	NA	

<sup>5</sup> DICOM is the registered trademark of the National Electrical Manufacturers Association for its standards publications relating to digital communications of medical information.

IHE Quality, Research and Public Health Technical Framework Supplement – Healthy Weight (HW)

<b>Destination</b> <b>AuditMessage/</b> <b>ActiveParticipant</b>	UserID	M	The identity of the Information Recipient Public Health Organization and receiving application from the HL7 message; concatenated together, separated by the   character.
	AlternativeUserID	M	not specialized
	UserName	U	not specialized
	UserIsRequestor	M	not specialized
	RoleIDCode	M	EV(110152, DCM, “Destination”)
	NetworkAccessPointTypeCode	M	“1” for machine (DNS) name, “2” for IP address
	NetworkAccessPointID	M	The machine name or IP address, as specified in DICOM PS 3.15 A.5.4.

<b>Audit Source</b> <b>AuditMessage/</b> <b>AuditSourceIdentification</b>	AuditSourceID	U	not specialized
	AuditEnterpriseSiteID	U	not specialized
	AuditSourceTypeCode	U	not specialized

<b>Patient</b> <b>(AuditMessage/</b> <b>ParticipantObjectIdentification)</b>	ParticipantObjectTypeCode	M	“1” (person)
	ParticipantObjectTypeCodeRole	M	“1” (patient)
	ParticipantObjectDataLifeCycle	U	not specialized
	ParticipantObjectIDTypeCode	M	EV(422549004, 2.16.840.1.113883.6.96, “Patient Identification Code”)
	ParticipantObjectSensitivity	U	not specialized
	ParticipantObjectID	M	The patient ID in HL7 CX format.
	ParticipantObjectName	U	not specialized
	ParticipantObjectQuery	U	not specialized
ParticipantObjectDetail	M	Type=MSH-10 (the literal string), Value=the value of MSH-10 (from the message content, base64 encoded)	

**3.39.5.1.1.2 Information Recipient Actor audit message:**

	Field Name	Opt	Value Constraints
<b>Event</b> <b>AuditMessage/</b> <b>EventIdentification</b>	EventID	M	EV(110107, DCM, “Import”)
	EventActionCode	M	“R” (Read)
	EventDateTime	M	not specialized
	EventOutcomeIndicator	M	not specialized
	EventTypeCode	M	EV(“QRPH-39”, “IHE Transactions”, “HWFeed”)
Source (Information Source Actor) (1)			
Destination (Information Recipient Actor) (1)			
Audit Source (Information Recipient Actor) (1)			
Patient(1)			

1240 Where:

<b>Source</b> AuditMessage/ ActiveParticipant	UserID	M	The identity of the Information Source Actor facility and sending application from the HL7 message; concatenated together, separated by the   character.
	AlternativeUserID	U	not specialized
	UserName	U	not specialized
	UsersRequestor	M	not specialized
	RoleIDCode	M	EV(110153, DCM, "Source")
	NetworkAccessPointTypeCode	M	"1" for machine (DNS) name, "2" for IP address
	NetworkAccessPointID	M	The machine name or IP address, as specified in DICOM PS 3.15 A.5.4.

<b>Destination</b> AuditMessage/ ActiveParticipant	UserID	M	The identity of the Information Recipient Public Health Organization and receiving application from the HL7 message; concatenated together, separated by the   character.
	AlternativeUserID	M	The process ID as used within the local operating system in the local system logs.
	UserName	U	not specialized
	UsersRequestor	M	not specialized
	RoleIDCode	M	EV(110152, DCM, "Destination")
	NetworkAccessPointTypeCode	M	"1" for machine (DNS) name, "2" for IP address
	NetworkAccessPointID	M	The machine name or IP address, as specified in DICOM PS 3.15 A.5.4.

<b>Audit Source</b> AuditMessage/ AuditSourceIdentification	AuditSourceID	U	not specialized
	AuditEnterpriseSiteID	U	not specialized
	AuditSourceTypeCode	U	not specialized

1245

1250

<b>Patient</b> (AuditMessage/ ParticipantObjectIdentification)	ParticipantObjectTypeCode	M	“1” (person)
	ParticipantObjectTypeCodeRole	M	“1” (patient)
	<i>ParticipantObjectDataLifeCycle</i>	<i>U</i>	<i>not specialized</i>
	ParticipantObjectIDTypeCode	M	EV(422549004, 2.16.840.1.113883.6.96, “Patient Identification Code”)
	<i>ParticipantObjectSensitivity</i>	<i>U</i>	<i>not specialized</i>
	ParticipantObjectID	M	The patient ID in HL7 CX format.
	<i>ParticipantObjectName</i>	<i>U</i>	<i>not specialized</i>
	<i>ParticipantObjectQuery</i>	<i>U</i>	<i>not specialized</i>
ParticipantObjectDetail	M	Type=MSH-10 (the literal string), Value=the value of MSH-10 (from the message content, base64 encoded)	

### 3.39.5.1.1.3 Form Receiver Message Exporter Actor audit message:

	Field Name	Opt	Value Constraints
<b>Event</b> (AuditMessage/ EventIdentification)	EventID	M	EV(110106, DCM, “Export”)
	EventActionCode	M	“C” (create)
	<i>EventDateTime</i>	<i>M</i>	<i>not specialized</i>
	<i>EventOutcomeIndicator</i>	<i>M</i>	<i>not specialized</i>
	EventTypeCode	M	EV(“QRPH-39”, “IHE Transactions”, “HWFeed”)
Source (Form Receiver Message Exporter) (1)			
Human Requestor (0..n)			
Destination (Information Recipient Actor) (1)			
Audit Source (Form Receiver Message Exporter) (1)			
Patient (1)			

Where:

<b>Source</b> (AuditMessage/ ActiveParticipant)	UserID	M	The identity of the Form Receiver CDA Exporter Actor facility and sending application from the HL7 message; concatenated together, separated by the   character.
	AlternativeUserID	M	The process ID as used within the local operating system in the local system logs.
	<i>UserName</i>	<i>U</i>	<i>not specialized</i>
	<i>UserIsRequestor</i>	<i>M</i>	<i>not specialized</i>
	RoleIDCode	M	EV(110153, DCM, “Source”)
	NetworkAccessPointTypeCode	M	“1” for machine (DNS) name, “2” for IP address
NetworkAccessPointID	M	The machine name or IP address, as specified in DICOM PS 3.15 A.5.4.	



IHE Quality, Research and Public Health Technical Framework Supplement – Healthy Weight (HW)

<b>Human Requestor (if known)</b> AuditMessage/ ActiveParticipant	UserID	M	Identity of the human that initiated the transaction.
	AlternativeUserID	U	not specialized
	UserName	U	not specialized
	UserIsRequestor	M	not specialized
	RoleIDCode	U	Access Control role(s) the user holds that allows this transaction.
	NetworkAccessPointTypeCode	NA	
	NetworkAccessPointID	NA	

<b>Destination</b> AuditMessage/ ActiveParticipant	UserID	M	The identity of the Information Recipient Public Health Organization and receiving application from the HL7 message; concatenated together, separated by the   character.
	AlternativeUserID	M	not specialized
	UserName	U	not specialized
	UserIsRequestor	M	not specialized
	RoleIDCode	M	EV(110152, DCM, "Destination")
	NetworkAccessPointTypeCode	M	"1" for machine (DNS) name, "2" for IP address
	NetworkAccessPointID	M	The machine name or IP address, as specified in DICOM PS 3.15 A.5.4.

<b>Audit Source</b> AuditMessage/ AuditSourceIdentification	AuditSourceID	U	not specialized
	AuditEnterpriseSiteID	U	not specialized
	AuditSourceTypeCode	U	not specialized

<b>Patient (AuditMessage/ParticipantObjectIdentification)</b>	ParticipantObjectTypeCode	M	"1" (person)
	ParticipantObjectTypeCodeRole	M	"1" (patient)
	ParticipantObjectDataLifeCycle	U	not specialized
	ParticipantObjectIDTypeCode	M	EV(422549004, 2.16.840.1.113883.6.96, "Patient Identification Code")
	ParticipantObjectSensitivity	U	not specialized
	ParticipantObjectID	M	The patient ID in HL7 CX format.
	ParticipantObjectName	U	not specialized
	ParticipantObjectQuery	U	not specialized
	ParticipantObjectDetail	M	Type=MSH-10 (the literal string), Value=the value of MSH-10 (from the message content, base64 encoded)

1260

## Appendices

None

### Volume 2 Namespace Additions

<i>Add the following terms to the IHE General Introduction Appendix G:</i>
--

1265 No new Volume 2 namespace additions.

## Volume 3 – Content Modules

### 1270 5 Namespaces and Vocabularies

*Add to Section 5 Namespaces and Vocabularies*

codeSystem	codeSystemName	Description
2.16.840.1.113883.6.1	LOINC	Logical Observation Identifier Names and Codes
2.16.840.1.113883.6.96	SNOMED-CT	Systematized Nomenclature Of Medicine Clinical Terms
2.16.840.1.113883.6.8	UCUM	Unified Code for Units of Measure
2.16.840.1.113883.6.88	RxNORM	RxNorm

*Add to Section 5.1.1 IHE Format Codes*

1275

Profile	Format Code	Media Type	Template ID
Healthy Weight	urn:ihe:qrph:hw:2013	text/xml	1.3.6.1.4.1.19376.1.7.3.1.1.24.1 (Healthy Weight Summary) 1.3.6.1.4.1.19376.1.7.3.1.1.24.2 (Medical Summary for Healthy Weight Pre-Pop document)

*Add to Section 5.1.2 IHE ActCode Vocabulary*

None

1280 *Add to Section 5.1.3 IHE RoleCode Vocabulary*

None

## 6 Content Modules

### 6.3.1 CDA Document Content Modules

*Add to Section 6.3.1.D Document Content Modules*

#### 1285 6.3.1.D1 Healthy Weight Summary (HWS) Document Content Module

##### 6.3.1.D1.1 Format Code

The DocumentEntry.formatCode format code for this content is **urn:ihe:qrph:hw:2013**

##### 6.3.1.D1.2 Parent Template

1290 This document is a specialization of the PCC Medical Summary template (OID = 1.3.6.1.4.1.19376.1.5.3.1.1.2).

Note: The Medical Summary includes requirements for various header elements; name, addr and telecom elements for identified persons and organizations; and basic participations record target, author, and legal authenticator.

##### 6.3.1.D1.3 Referenced Standards

1295 All standards which are reference in this document are listed below with their common abbreviation, full title, and link to the standard.

**Table 6.3.1.D1.3-1: HWS – Referenced Standards**

Abbreviation	Title	URL
CDAR2	HL7 CDA Release 2.0	<a href="http://www.hl7.org/documentcenter/private/standards/cda/r2/cda_r2_normativewebedition.zip">http://www.hl7.org/documentcenter/private/standards/cda/r2/cda_r2_normativewebedition.zip</a>

##### 6.3.1.D1.4 Data Element Requirement Mappings

###### 6.3.1.D1.4.1 Data Element Requirement Mappings to CDA

1300 This section specifies the mapping of data from the specified form data elements for this profile into the HWS Document. This mapping SHALL be used by the Form Receiver CDA Exporter to generate the CDA document content. This form element (name, item #), shall be represented in the section of the Healthy Weight Summary (HWS) document (1.3.6.1.4.1.19376.1.7.3.1.1.24.1) specified location as indicated by Section 6.3.1.D1.5 and represented in the associated machine readable entry. Based upon the jurisdiction data requirements, some of the data mappings below may be optional.

1305

IHE Quality, Research and Public Health Technical Framework Supplement – Healthy Weight (HW)

Element from the form	Description	CDA-DIR in HWS	Value Set
<b>Assessment: Socio-Demographic Characteristics</b>			
Religious Affiliation	Optional Religious Affiliation to support diet impact on weight	patient/religion	
Patient Identifier List	Patient Identifier List Included for pediatric patient matching	patientRole/ID	
Patient Account Number	Patient Account Number Included for patient matching	patientRole/ID	
Phone Number	Patient's Phone Number	patientRole/telecom	
Mother's Maiden Name	Patient's Mother's Maiden Name	Patient/mother's maiden name	
Multiple Birth Indicator	Patient Multiple Birth Indicator	subject/sdte:multipleBirthIndicator	
Birth Order	Patient Birth Order	subject/sdte:birthOrder	
Date/Time of Birth	Patient's date and time of birth	patient/birthTime	
Administrative Sex	Patient's sex.	patient/administrativeGenderCode	HL7 AdministrativeGender 2.16.840.1.113883.5.1
Language	Languages Spoken	patient/languageCommunication	Language 2.16.840.1.114222.4.11.831
Race	Race(s) that best describes what the patient considers himself/herself to be	patient/raceCode	H&P DSTU OID for Race 2.16.840.1.113883.5.104 PHINVADS link for HL7 V3 Race 2.16.840.1.113883.1.11.14914
Ethnic Group	Patient's ethnicity	patient/ethnicGroupCode	H&P DSTU OID for Ethnicity 2.16.840.1.113883.5.50  PHINVADS link for HL7 V3Ethnicity 2.16.840.1.114222.4.11.837
Address (may be used to support Geographic grouping purposes)	Patient's address (e.g., Country, State, City, Street, Zip Code)	patientRole/addr	
Education Level	Highest Level of Education Received by patient	ClinicalDocument/component/structuredBody/component/section[templateId[@root='1.3.6.1.4.1.19376.1.5.3.1.3.16.1']/entry/observation[templateId[@root='1.3.6.1.4.1.19376.1.5.3.1.4.13.4']]/code[@code='11379-5'] Level of education – Reported	2.16.840.1.113883.5.1077 HL7 EducationLevel

IHE Quality, Research and Public Health Technical Framework Supplement – Healthy Weight (HW)

Element from the form	Description	CDA-DIR in HWS	Value Set
		<p>AND  <code>.../code[@code='67577-7']</code>                      How far in school did she go</p> <p>AND  <code>.../code[@code='67578-5']</code>                      How far in school did he go  <code>.../code[@code='64990-5']</code>                      Grade in school, if applicable</p>	
Household Income	Income level of the household where the patient resides	<code>ClinicalDocument/component/structuredBody/component/section[templateId[@root='1.3.6.1.4.1.19376.1.5.3.1.3.16.1']]/entry/observation[templateId[@root='1.3.6.1.4.1.19376.1.5.3.1.4.13.4']]/code[@code='77244-2']</code>	Less than \$5,000 5,000 to 7,499 7,500 to 9,999 10,000 to 12,499 12,500 to 14,999 15,000 to 19,999 20,000 to 24,499 25,000 to 29,999 30,000 to 34,999 35,000 to 39,499 40,000 to 49,999 50,000 to 59,999 60,000 to 74,499 75,000 +
Next of Kin	Contact Information for Parent/Guardian	guardian/telecom	
Pertinent Insurance Information	Patient's Insurance details insurance type	<code>ClinicalDocument/component/structuredBody/component/section[templateId[@root='1.3.6.1.4.1.19376.1.5.3.1.1.5.3.7']]/entry/act[code[@code='48768-6']]/entryRelationship/act[templateId[@root='1.3.6.1.4.1.19376.1.5.3.1.4.18']]/code</code>	Source of Payer Typology ( 2.16.840.1.114222.4.11.3591 )
	Patient's Insurance details insurance company	<code>ClinicalDocument/component/structuredBody/component/section[templateId[@root='1.3.6.1.4.1.19376.1.5.3.1.1.5.3.7']]/entry/act[code[@code='48768-6']]/entryRelationship/act[templateId[@root='1.3.6.1.4.1.19376.1.5.3.1.4.18']]/entry/act/performer typeCode='PRF'/assignedEntity/representedOrganization/name</code>	
<b>Assessment: Setting (Note: Recorded in Social History)</b>			
Setting	Settings of daily activities that impact the patient. These may include: <ul style="list-style-type: none"> <li>School information: Information about the school, education setting, and school-related behaviors (e.g., school name, special</li> </ul>	Employer and School Information (1.3.6.1.4.1.19376.1.5.3.1.2.2) Person/associatedPerson/scopin gOrganization/name	

IHE Quality, Research and Public Health Technical Framework Supplement – Healthy Weight (HW)

Element from the form	Description	CDA-DIR in HWS	Value Set
	education, truancy, etc.) Workplace: programs, location, environment	Person/associatedPerson/scopin gOrganization/addr  Where code= code='EMPLOYER SCHOOL A FFILIATED' codeSystem='1.3.6.1.4.1.19376. 1.5.3.3' codeSystemName='IHERoleCo de'/>	
<b>Assessment: Setting (Note: Recorded in Social History)</b>			
School Name	Name of School, including Early care and Education, After school and daycare	Employer and School Information (1.3.6.1.4.1.19376.1.5.3.1.2.2) Person/associatedPerson/scopin gOrganization/name	
Occupational Data for Health Occupational Data	Employment Status Observation <ul style="list-style-type: none"> <li>• Past or Present Occupation Observation <ul style="list-style-type: none"> <li>○ Past or Present Industry Observation</li> <li>○ Job Employment Type Observation</li> <li>○ Work Schedule Observation <ul style="list-style-type: none"> <li>▪ Weekly Work Hours Observation</li> <li>▪ Weekly Work Days Observation</li> </ul> </li> </ul> </li> </ul> Usual Occupation <ul style="list-style-type: none"> <li>• Usual Occupation Duration</li> </ul> Usual Industry <ul style="list-style-type: none"> <li>• Usual Industry Duration</li> </ul> <ul style="list-style-type: none"> <li>•</li> </ul>	ClinicalDocument/recordTarget/ component/structuredBody/com ponent/section[templateId[ @root=1.3.6.1.4.1.19376.1.5.3.1.3.16. 1]/component/section[templat eId[ @root=1.3.6.1.4.1.19376.1.5. 3.1.3.37]	
<b>Assessment: Provider Visit Information</b>			
Provider Visit Information	<ul style="list-style-type: none"> <li>• Provider's name</li> <li>• Provider's ID</li> <li>• Provider Address</li> <li>• Provider Phone</li> <li>• Visit Information including: Date of visit</li> </ul>	ClinicalDocument/componentOf /encompassingEncouter /location/healthCareFacility/serv iceProviderOrganization/	
<b>Assessment: Anthropometric Measurements</b>			
Height	Patient's height, captured for patients 2 through 22 years. Patient Height and Weight are used for computing Body Mass Index (BMI) and are used with other demographics to compute BMI Percentile (see Appendix D)	ClinicalDocument/recordTarget/ component/structuredBody/com ponent/section[templateId[ @root=1.3.6.1.4.1.19376.1.5.3.1.1.5.3 .2]]/component/section[templat eId[ @root=1.3.6.1.4.1.19376.1.5.	3137-7 , Body height Measured, LOINC 3138-5 Body height stated 8302-2 Body height, LOINC 8306-3 Body height lying

IHE Quality, Research and Public Health Technical Framework Supplement – Healthy Weight (HW)

Element from the form	Description	CDA-DIR in HWS	Value Set
		3.1.4.13.1]]/entry/act/entryRelationship/observation/ Where .../code[@code= '3137-7' or '8302-2' or '8306-3' or '8308-9'  .../value	
Recumbent Length	Length of the patient lying down, captured for patients from birth to less than 2 years old as the 'height'. Patient Height and Weight are used for computing Body Mass Index (BMI) and are used with other demographics to compute BMI Percentile (see Appendix D)	ClinicalDocument/recordTarget/component/structuredBody/component/section[templateId[@root=1.3.6.1.4.1.19376.1.5.3.1.1.5.3.2]]/component/section[templateId[@root=1.3.6.1.4.1.19376.1.5.3.1.4.13.1]]/entry/act/entryRelationship/observation/ Where .../code[@code= '8306-3'  .../value	8306-3 Body height^lying, LOINC
Weight (with or without clothes and shoes)	Patient's weight. Patient Height and Weight are used for computing Body Mass Index (BMI) and are used with other demographics to compute BMI Percentile (see Appendix D)	ClinicalDocument/recordTarget/component/structuredBody/component/section[templateId[@root=1.3.6.1.4.1.19376.1.5.3.1.1.5.3.2]]/component/section[templateId[@root=1.3.6.1.4.1.19376.1.5.3.1.4.13.1]]/entry/act/entryRelationship/observation/ Where .../code[@code= '29463-7' or '3141-9' or '8352-7' or '3142-7' or '8350-1' or '8351-9']  .../value	29463-7 Body weight, LOINC 3142-7 Body Weight Reported, LOINC 3141-9, Body weight Measured, LOINC 8350-1 Body weight^with clothes, LOINC 8351-9 Body weight^without clothes 8351-, LOINC 8352-7 Clothing worn during measure, LOINC
Waist Circumference	A measurement of the distance around the smallest part of the abdomen	ClinicalDocument/recordTarget/component/structuredBody/component/section[templateId[@root=1.3.6.1.4.1.19376.1.5.3.1.1.5.3.2]]/component/section[templateId[@root=1.3.6.1.4.1.19376.1.5.3.1.4.13.1]]/entry/act/entryRelationship/observation/ Where .../code[@code= '56114-2']  .../value	56114-2 Waist Circumference by NHANES, LOINC
Skin Folds	The layer of skin and subcutaneous fat raised by pinching the skin and letting the underlying muscle fall back to the bone.	ClinicalDocument/recordTarget/component/structuredBody/component/section[templateId[@root=1.3.6.1.4.1.19376.1.5.3.1.1.5.3.2]]/component/section[template	8355-0, Skin fold thickness Waist, LOINC 8354-3, Skin fold thickness Triceps, LOINC 8353-5 Skin fold thickness



IHE Quality, Research and Public Health Technical Framework Supplement – Healthy Weight (HW)

Element from the form	Description	CDA-DIR in HWS	Value Set
		Id[@root=1.3.6.1.4.1.19376.1.5.3.1.4.13.1]]/entry/act/entryRelationship/observation/ Where .../code[@code= '8355-0', or '8354-3', or '8353-5']  .../value	Thigh, LOINC
Measured Percentage of Body Fat	Measured Percentage of body fat (e.g., using a bio-impedance device)	ClinicalDocument/recordTarget/component/structuredBody/component/section[templateId[@root=1.3.6.1.4.1.19376.1.5.3.1.1.5.3.2]]/component/section[templateId[@root=1.3.6.1.4.1.19376.1.5.3.1.4.13.1]]/entry/act/entryRelationship/observation/ Where .../code[@code= '77233-5']  .../value	77233-5 Body fat percentage ^ bioimpedance device, LOINC
Blood Pressure	The pressure of the blood within the arteries.	ClinicalDocument/recordTarget/component/structuredBody/component/section[templateId[@root=1.3.6.1.4.1.19376.1.5.3.1.1.5.3.2]]/component/section[templateId[@root=1.3.6.1.4.1.19376.1.5.3.1.4.13.1]]/entry/act/entryRelationship/observation/ Where .../code[@code= '8480-6' or '8462-4']  .../value	8480-6 Systolic blood pressure, LOINC 8462-4 Diastolic blood pressure, LOINC
Heart rate/Pulse	The number of pulse beats per minute.	ClinicalDocument/recordTarget/component/structuredBody/component/section[templateId[@root=1.3.6.1.4.1.19376.1.5.3.1.1.5.3.2]]/component/section[templateId[@root=1.3.6.1.4.1.19376.1.5.3.1.4.13.1]]/entry/act/entryRelationship/observation/ Where .../code[@code= '8867-4']  .../value	8867-4 Heart rate, LOINC
BMI and BMI for age percentile for age/gender as appropriate for the child	A number calculated from weight and height (see Appendix D)	ClinicalDocument/recordTarget/component/structuredBody/component/section[templateId[@root=1.3.6.1.4.1.19376.1.5.3.1.1.5.3.2]]/component/section[templateId[@root=1.3.6.1.4.1.19376.1.5.3.1.4.13.1]]/entry/act/entryRelationship/observation/ Where .../code[@code= '39156-5']  .../value	39156-5 Body Mass Index, LOINC

IHE Quality, Research and Public Health Technical Framework Supplement – Healthy Weight (HW)

Element from the form	Description	CDA-DIR in HWS	Value Set
		<p>ionship/observation/ Where .../code[@code='39156-5']</p> <p>.../value</p>	
<p><b>Assessment: Active Problems</b></p> <p>Active problems including, but not limited to Conditions that affect weight</p>			
Weight Associated Conditions	Conditions that are associated with obesity that may be excluded or adjusted for in the calculation of BMI (e.g., pregnancy, prematurity, amputation), may influence weight or height (e.g., Prader Willi, acondroplasia), and/or are a result of increased BMI (e.g., hypertension, hypercholesterolemia), or are a combination of the above (e.g., diabetes).	<p>Active Problems</p> <p>ClinicalDocument/recordTarget/component/structuredBody/component/section[templateId[@root=1.3.6.1.4.1.19376.1.5.3.1.3.6]]/entry/act/entryRelationship/observation/</p> <p>Where the code element shall be populated with the code for 'finding' (404684003)</p> <p>Where .../value is populated with a coded entry from Value Set Weight Associated Conditions</p>	<p>Weight Associated Conditions</p> <p>1.3.6.1.4.1.19376.1.7.3.1.1.2 3.8.19</p>
Mother Currently breast feeding	Mother Currently breast feeding	<p>Active Problems</p> <p>ClinicalDocument/recordTarget/component/structuredBody/component/section[templateId[@root=1.3.6.1.4.1.19376.1.5.3.1.3.6]]/entry/act/entryRelationship/observation/</p> <p>Where the code element shall be populated with the code for 'finding' (404684003)</p> <p>Where .../value is populated with a coded entry from Mother Breastfeeding (HW)</p>	<p>Mother Breastfeeding (HW)</p> <p>1.3.6.1.4.1.19376.1.7.3.1.1.2 3.8.14</p>
Pregnant	Pregnant	<p>Active Problems</p> <p>ClinicalDocument/recordTarget/component/structuredBody/component/section[templateId[@root=1.3.6.1.4.1.19376.1.5.3.1.3.6]]/entry/act/entryRelationship/observation/</p> <p>Where the code element shall be populated with the code for 'finding' (404684003)</p>	<p>Pregnant (NCHS)</p> <p>1.3.6.1.4.1.19376.1.7.3.1.1.13.8.95</p>

IHE Quality, Research and Public Health Technical Framework Supplement – Healthy Weight (HW)

Element from the form	Description	CDA-DIR in HWS	Value Set
		Where .../value is populated with a coded entry from Pregnant (NCHS)	
<b>Behaviors (primarily aspects of Social History)</b>			
<i>Infant Feeding</i>			
Currently Breastfeeding	Is the patient Breast Fed?	ClinicalDocument/component/structuredBody/component/section[templateId[@root='1.3.6.1.4.1.19376.1.5.3.1.3.16.1']]/entry/observation[templateId[@root='1.3.6.1.4.1.19376.1.5.3.1.4.13.4']]/code[@code='77318-4']	77318-4 Is the patient breastfed, LOINC
Consuming Infant Formula	How much formula does the patient drink per day?	ClinicalDocument/component/structuredBody/component/section[templateId[@root='1.3.6.1.4.1.19376.1.5.3.1.3.16.1']]/entry/observation[templateId[@root='1.3.6.1.4.1.19376.1.5.3.1.4.13.4']]/code[@code='77240-0']	77240-0 Consuming infant formula, LOINC
Complimentary Foods	Is the patient fed something other than breast milk or formula? Please include juice, cow's milk, sugar water, baby food, or anything else that [child] may have been given, even water.	ClinicalDocument/component/structuredBody/component/section[templateId[@root='1.3.6.1.4.1.19376.1.5.3.1.3.16.1']]/entry/observation[templateId[@root='1.3.6.1.4.1.19376.1.5.3.1.4.13.4']]/code[@code='77239-2']  .../value	77239-2 Infant is currently eating or drinking something other than breast milk, LOINC
Patient having trouble breastfeeding	Is the patient having any problems breastfeeding?	ClinicalDocument/component/structuredBody/component/section[templateId[@root='1.3.6.1.4.1.19376.1.5.3.1.3.16.1']]/entry/observation[templateId[@root='1.3.6.1.4.1.19376.1.5.3.1.4.13.4']]/code[@code='77241-8']	77241-8 Patient having trouble breastfeeding, LOINC
Addition of Cereal to Bottle	Did you add cereal to your baby's bottle of formula or pumped (or expressed) breast milk in the past two weeks?	ClinicalDocument/component/structuredBody/component/section[templateId[@root='1.3.6.1.4.1.19376.1.5.3.1.3.16.1']]/entry/observation[templateId[@root='1.3.6.1.4.1.19376.1.5.3.1.4.13.4']]/value  Using a Boolean indicator (Yes/No) that tells whether Cereal is added to the Bottle Where .../code[@code='77316-8']	77316-8 How often have you added cereal to your baby's bottle of formula or pumped (or expressed) breast milk in the past 2W, LOINC
<i>Drinks</i>			
Frequency of Sugar-Sweetened	Yesterday, how many times did the patient drink any punch, Kool-Aid®, Tampico, other fruit-	ClinicalDocument/component/structuredBody/component/section[templateId[@root='1.3.6.1.4.1.19376.1.5.3.1.3.16.1']]/entry/observation[templateId[@root='1.3.6.1.4.1.19376.1.5.3.1.4.13.4']]/code[@code='77297-0']	77297-0 Yesterday, how many times did the patient

IHE Quality, Research and Public Health Technical Framework Supplement – Healthy Weight (HW)

Element from the form	Description	CDA-DIR in HWS	Value Set
Beverages (SSB) intake (fruit-flavored drinks, sports drinks)	flavored drinks, or sports drinks? Do not count 100% fruit juice.	n[templateId[@root='1.3.6.1.4.1.19376.1.5.3.1.3.16.1']]/entry/observation[templateId[@root='1.3.6.1.4.1.19376.1.5.3.1.4.13.4']] /value Using numbers and units to reflect times/day Where .../code[@code='77297-0']	drink any punch, Kool-Aid, Tampico, other fruit-flavored drinks, or sports drinks, LOINC
Frequency of sugar-sweetened beverages (SSB) intake (soft drinks)	Yesterday, how many times did the patient drink any regular (not diet) sodas or soft drinks	ClinicalDocument/component/structuredBody/component/section[templateId[@root='1.3.6.1.4.1.19376.1.5.3.1.3.16.1']]/entry/observation[templateId[@root='1.3.6.1.4.1.19376.1.5.3.1.4.13.4']] /value Using numbers and units to reflect times/day Where .../code[@code='77300-2']	77300-2 Yesterday, how many times did the patient drink any regular (not diet) sodas or soft drinks, LOINC
Frequency of Water Intake	Yesterday, how many times did the patient drink bottles or glasses of water? Include plain water, sparkling or any other water drink that has 0 calories.	ClinicalDocument/component/structuredBody/component/section[templateId[@root='1.3.6.1.4.1.19376.1.5.3.1.3.16.1']]/entry/observation[templateId[@root='1.3.6.1.4.1.19376.1.5.3.1.4.13.4']] /value Using numbers and units to reflect times/day Where .../code[@code='77295-4']	77295-4 Frequency of water intake, LOINC
Frequency of Milk Intake	1 through 21 years. Yesterday, how much milk did the patient drink?	ClinicalDocument/component/structuredBody/component/section[templateId[@root='1.3.6.1.4.1.19376.1.5.3.1.3.16.1']]/entry/observation[templateId[@root='1.3.6.1.4.1.19376.1.5.3.1.4.13.4']] /value Using A Boolean indicator (Yes/No) that tells whether the patient is having trouble breastfeeding Where .../code[@code='77393-7']	77393-7 Yesterday, how many 8-ounce portions of milk did the patient drink
<i>Fruits</i>			
Frequency of Fruit Intake (Non-juice)	Yesterday, how many times the patient you eat fruit? Do not count fruit juice. Please think about all forms of fruits, including cooked or raw, fresh, frozen or canned.	ClinicalDocument/component/structuredBody/component/section[templateId[@root='1.3.6.1.4.1.19376.1.5.3.1.3.16.1']]/entry/observation[templateId[@root='1.3.6.1.4.1.19376.1.5.3.1.4.13.4']]	77299-6 Frequency of Fruit Intake (Non-juice), LOINC

IHE Quality, Research and Public Health Technical Framework Supplement – Healthy Weight (HW)

Element from the form	Description	CDA-DIR in HWS	Value Set
		/value Using numbers and units to reflect times/day Where .../code[@code='77299-6']	
Frequency of 100% Fruit intake (juice)	Yesterday, how many times did the patient drink 100% fruit juice? Fruit juice is a drink, which is 100% juice, like orange juice, apple juice, or grape juice. Do not count punch, Kool-Aid®, Tampico, sports drinks, or other fruit-flavored drinks	ClinicalDocument/component/structuredBody/component/section[templateId[@root='1.3.6.1.4.1.19376.1.5.3.1.3.16.1']]/entry/observation[templateId[@root='1.3.6.1.4.1.19376.1.5.3.1.4.13.4']]/value Using numbers and units to reflect times/day Where .../code[@code='77296-2']	77296-2 Yesterday, how many times did the patient drink 100% fruit juice, LOINC
<i>Vegetables</i>			
Frequency of Vegetable Intake	Yesterday, how many times did the patient eat any vegetables? Vegetables are all cooked and uncooked vegetables; salads. Do not count French fries, fried potatoes, or potato chips	ClinicalDocument/component/structuredBody/component/section[templateId[@root='1.3.6.1.4.1.19376.1.5.3.1.3.16.1']]/entry/observation[templateId[@root='1.3.6.1.4.1.19376.1.5.3.1.4.13.4']]/value Using numbers and units to reflect times/day Where .../code[@code='77294-7']	77294-7 Frequency of vegetable intake, LOINC
<i>Nutrition Quality</i>			
Frequency of Healthy Snacks	Yesterday, what percent of snacks were healthy? A healthy snack may include whole, cut or frozen fruits without added sugar, and whole or cooked vegetables.	ClinicalDocument/component/structuredBody/component/section[templateId[@root='1.3.6.1.4.1.19376.1.5.3.1.3.16.1']]/entry/observation[templateId[@root='1.3.6.1.4.1.19376.1.5.3.1.4.13.4']]/value Using numbers and units to reflect times/day Where .../code[@code='77315-0']	77315-0 Frequency of Healthy Snacks, LOINC
Frequency of Family Meals	In the past week, how many times were dinners prepared at home and eaten together at the dinner table as a family?	ClinicalDocument/component/structuredBody/component/section[templateId[@root='1.3.6.1.4.1.19376.1.5.3.1.3.16.1']]/entry/observation[templateId[@root='1.3.6.1.4.1.19376.1.5.3.1.4.13.4']]/value Using numbers and units to reflect times/day Where .../code[@code='	77317-6 In the past W, how many times were dinners prepared at home and eaten together, LOINC

IHE Quality, Research and Public Health Technical Framework Supplement – Healthy Weight (HW)

Element from the form	Description	CDA-DIR in HWS	Value Set
		77317-6']	
Frequency of restaurant food intake	Yesterday, how many times did the patient eat food from any type of restaurant? This includes restaurants such as fast food, sit down restaurants, buffet restaurants, taco shops, donut shops, and pizza places.	ClinicalDocument/component/structuredBody/component/section[templateId[@root='1.3.6.1.4.1.19376.1.5.3.1.3.16.1']]/entry/observation[templateId[@root='1.3.6.1.4.1.19376.1.5.3.1.4.13.4']]/code[@code='77298-8']	77298-8, How many times a week did you eat fast food or snacks or pizza in past 7 days, LOINC
Frequency of Fatty Foods Intake	Yesterday, did the patient eat French fries or chips? Examples are: potato chips, tortilla chips, Cheetos®, corn chips, or other snack chips.	ClinicalDocument/component/structuredBody/component/section[templateId[@root='1.3.6.1.4.1.19376.1.5.3.1.3.16.1']]/entry/observation[templateId[@root='1.3.6.1.4.1.19376.1.5.3.1.4.13.4']] /value Using numbers and units to reflect times/day Where .../code[@code='77308-5']	77308-5 Frequency of Fatty Foods Intake, LOINC
Dietary Behavior (Findings)	Dietary behaviors to be answered with SNOMED-CT findings	ClinicalDocument/component/structuredBody/component/section[templateId[@root='1.3.6.1.4.1.19376.1.5.3.1.3.16.1']]/entry/observation[templateId[@root='1.3.6.1.4.1.19376.1.5.3.1.4.13.4']]  Where the code element shall be populated with the code for 'finding' (404684003)  Where .../value is populated with a coded entry from Value Set Dietary Behavior	Dietary Behavior 1.3.6.1.4.1.19376.1.7.3.1.1.2 3.8.8
Food Insecurity	How often in the past 12 months would you say you were worried or stressed about having enough money to buy nutritious meals?	ClinicalDocument/component/structuredBody/component/section[templateId[@root='1.3.6.1.4.1.19376.1.5.3.1.3.16.1']]/entry/observation[templateId[@root='1.3.6.1.4.1.19376.1.5.3.1.4.13.4']] /value Using A Boolean indicator (Yes/No) that tells whether the patient is has Food insecurity Where .../code[@code='77234-3']	77234-3 Food insecurity, LOINC
<i>Physical Activity</i>			
Physical Activity Behavior	Findings of Physical Activity Behaviors to be answered with SNOMED-CT coded values	ClinicalDocument/component/structuredBody/component/section	Physical Activity Behavior 1.3.6.1.4.1.19376.1.7.3.1.1.2

IHE Quality, Research and Public Health Technical Framework Supplement – Healthy Weight (HW)

Element from the form	Description	CDA-DIR in HWS	Value Set
		<p>n[templateId[@root='1.3.6.1.4.1.19376.1.5.3.1.3.16.1']/entry/observation[templateId[@root="1.3.6.1.4.1.19376.1.5.3.1.4.13.4"]]/value</p> <p>Where the code element shall be populated with the code for 'finding' (404684003)</p> <p>Where .../value is populated with a coded entry from Value Set Physical Activity Behavior</p>	3.8.9
Frequency of Physical Activity	<p>For Children and Adolescents: 'Days per week of physical activity (any kind of physical activity that increased his/her heart rate and made him/her breathe hard some of the time)'</p> <p>For Adults: 'Days per week of moderate to strenuous exercise (like a brisk walk)'</p>	<p>ClinicalDocument/component/structuredBody/component/section[templateId[@root='1.3.6.1.4.1.19376.1.5.3.1.3.16.1']/entry/observation[templateId[@root="1.3.6.1.4.1.19376.1.5.3.1.4.13.4"]]/value</p> <p>Using numbers and units to reflect times/day</p> <p>Where .../code[@code='77293-9']</p>	77293-9 Frequency of physical activity, LOINC
Exercise Duration	Minutes per day of physical activity at this level.	<p>ClinicalDocument/component/structuredBody/component/section[templateId[@root='1.3.6.1.4.1.19376.1.5.3.1.3.16.1']/entry/observation[templateId[@root="1.3.6.1.4.1.19376.1.5.3.1.4.13.4"]]/value</p> <p>Using numbers and units to reflect duration</p> <p>Where .../code[@code='55411-3']</p>	55411-3, Exercise duration, LOINC
<i>Screen Time</i>			
Frequency of Screen-Time (TV/DVDs)	On a typical day in the past week, how much time did you spend watching TV/DVDs? (weekdays)	<p>ClinicalDocument/component/structuredBody/component/section[templateId[@root='1.3.6.1.4.1.19376.1.5.3.1.3.16.1']/entry/observation[templateId[@root="1.3.6.1.4.1.19376.1.5.3.1.4.13.4"]]/value</p> <p>Using numbers and units to reflect hours and minutes/day</p> <p>Where .../code[@code='77235-0']</p>	77235-0 Frequency of Screen-Time (TV/DVDs) Weekdays, LOINC
Frequency of Screen-Time (TV/DVDs)	On a typical day in the past week, how much time did you spend watching TV/DVDs? (weekend days)	<p>ClinicalDocument/component/structuredBody/component/section[templateId[@root='1.3.6.1.4.1.19376.1.5.3.1.3.16.1']/entry/observation[templateId[@root="1.3.6.1.4.1.19376.1.5.3.1.4.13.4"]]/value</p> <p>Using numbers and units to reflect hours and minutes/day</p> <p>Where .../code[@code='77236-8']</p>	77236-8 Frequency of Screen-Time (TV/DVDs) Weekends, LOINC

IHE Quality, Research and Public Health Technical Framework Supplement – Healthy Weight (HW)

Element from the form	Description	CDA-DIR in HWS	Value Set
		.19376.1.5.3.1.3.16.1']]/entry/observation[templateId[@root="1.3.6.1.4.1.19376.1.5.3.1.4.13.4"]]/value Using numbers and units to reflect hours and minutes/day Where .../code[@code='77236-8']	
Frequency of Screen-Time (video games and computer games)	On a typical day in the past week, how much time did you spend playing video games and computer games? (weekdays)	ClinicalDocument/component/structuredBody/component/section[templateId[@root='1.3.6.1.4.1.19376.1.5.3.1.3.16.1']]/entry/observation[templateId[@root="1.3.6.1.4.1.19376.1.5.3.1.4.13.4"]]/value Using numbers and units to reflect hours and minutes/day Where .../code[@code='77237-6']	77237-6 Frequency of Screen-Time (video games and computer games) Weekdays, LOINC
Frequency of Screen-Time (video games and computer games)	On a typical day in the past week, how much time did you spend playing video games and computer games? (weekend days)	ClinicalDocument/component/structuredBody/component/section[templateId[@root='1.3.6.1.4.1.19376.1.5.3.1.3.16.1']]/entry/observation[templateId[@root="1.3.6.1.4.1.19376.1.5.3.1.4.13.4"]]/value Using numbers and units to reflect times/day Where .../code[@code='77238-4']	77238-4 Frequency of Screen-Time (video games and computer games) Weekends, LOINC
<i>Sleep</i>			
Bedtime	At what time do you usually go to bed	ClinicalDocument/component/structuredBody/component/section[templateId[@root='1.3.6.1.4.1.19376.1.5.3.1.3.16.1']]/entry/observation[templateId[@root="1.3.6.1.4.1.19376.1.5.3.1.4.13.4"]]/value Indicating the Bed-time using military time where .../code[@code='65551-4']	65551-4, At what time do you usually go to bed, LOINC
Hours of Sleep per night	How many Hrs do you normally sleep	ClinicalDocument/component/structuredBody/component/section[templateId[@root='1.3.6.1.4.1.19376.1.5.3.1.3.16.1']]/entry/observation[templateId[@root="1.3.6.1.4.1.19376.1.5.3.1.4.13.4"]]/value	65968-0, How many Hrs do you normally sleep, LOINC



IHE Quality, Research and Public Health Technical Framework Supplement – Healthy Weight (HW)

Element from the form	Description	CDA-DIR in HWS	Value Set
		Where .../code[@code='65968-0']	
<i>Readiness for improved behaviors</i>			
Readiness for Change for Improved Nutrition	On a scale of 1-10 with 1 representing no readiness to change and 10 representing an exceptional readiness for change, please rate the patient's readiness to improve his/her nutrition.	ClinicalDocument/component/structuredBody/component/section[templateId[@root='1.3.6.1.4.1.19376.1.5.3.1.3.16.1']]/entry/observation[templateId[@root="1.3.6.1.4.1.19376.1.5.3.1.4.13.4"]]/value  Where .../code[@code='77245-9']	77245-9 Readiness for change for improved nutrition, LOINC
Readiness for Change for Improved Sleep Patterns	On a scale of 1-10 with 1 representing no readiness to change and 10 representing an exceptional readiness for change, please rate the patient's readiness to improve his/her sleep habits.	ClinicalDocument/component/structuredBody/component/section[templateId[@root='1.3.6.1.4.1.19376.1.5.3.1.3.16.1']]/entry/observation[templateId[@root="1.3.6.1.4.1.19376.1.5.3.1.4.13.4"]]/value  Where .../code[@code='77246-7']	77246-7 Readiness for change for improved sleep patterns, LOINC
Readiness for Change for Improved Exercise	On a scale of 1-10 with 1 representing no readiness to change and 10 representing an exceptional readiness for change, please rate the patient's readiness to improve his/her exercise habits.	ClinicalDocument/component/structuredBody/component/section[templateId[@root='1.3.6.1.4.1.19376.1.5.3.1.3.16.1']]/entry/observation[templateId[@root="1.3.6.1.4.1.19376.1.5.3.1.4.13.4"]]/value  Where .../code[@code='77247-5']	77247-5 Readiness for change for improved exercise, LOINC
Readiness for Change for Improved Screen-time	On a scale of 1-10 with 1 representing no readiness to change and 10 representing an exceptional readiness for change, please rate the patient's readiness to improve his/her screen time habits.	ClinicalDocument/component/structuredBody/component/section[templateId[@root='1.3.6.1.4.1.19376.1.5.3.1.3.16.1']]/entry/observation[templateId[@root="1.3.6.1.4.1.19376.1.5.3.1.4.13.4"]]/value  Where .../code[@code='77248-3']	77248-3 Readiness for change for improved screen-time, LOINC
<b>Continuity of Care</b>			
Procedures and	History of Interventions including:	ClinicalDocument/recordTarget/	Interventions (HW)

IHE Quality, Research and Public Health Technical Framework Supplement – Healthy Weight (HW)

Element from the form	Description	CDA-DIR in HWS	Value Set
Interventions	Referral (e.g., weight management program, dietitian, physical activity specialists) In-Office Education (e.g., nutrition counseling, physical activity counseling, community resources) Surgical Interventions	component/structuredBody/component/section[templateId[@root=1.3.6.1.4.1.19376.1.5.3.1.1.21.2.3]]/component/section[templateId[@root=1.3.6.1.4.1.19376.1.5.3.1.1.13.2.11]]/entry/procedure/ Where .../code is populated with a coded entry from Value Set Interventions (HW)	1.3.6.1.4.1.19376.1.7.3.1.1.23.8.7
Medications	Current Medications including, but not limited to Weight Influencing Medications and Weight Management Medications (value set not specified)	Medications Administered ClinicalDocument/component/structuredBody/component/section[templateId[@root=1.3.6.1.4.1.19376.1.5.3.1.1.21.2.4]]/component/section[templateId[@root=1.3.6.1.4.1.19376.1.5.3.1.3.21]]/substanceAdministration/code	
Coded Family Medical History	Family History of conditions that may impact the patient Healthy Weight (e.g., Parental Obesity, CVD, HTN, Dyslipidemia, NIDDM, Insulin Resistance)	ClinicalDocument/recordTarget/component/structuredBody/component/section[templateId[@root=1.3.6.1.4.1.19376.1.5.3.1.3.15]]/entry/act/entryRelationship/observation/ Where the code element shall be populated with the code for 'finding' (404684003)  Where .../value is populated with a coded entry from Value Set Family History (HW)	Family History (HW) 1.3.6.1.4.1.19376.1.7.3.1.1.23.8.13
Laboratory Results	Results from laboratory testing including : HW Laboratory Results (Value Set)	ClinicalDocument/recordTarget/component/structuredBody/component/section[templateId[@root=1.3.6.1.4.1.19376.1.5.3.1.4.13.3]]/component/section[templateId[@root=1.3.6.1.4.1.19376.1.5.3.1.4.15]]/component/section[templateId[@root=1.3.6.1.4.1.19376.1.5.3.1.4.15]]/observation/ Where the code element shall be populated with the code for 'finding' (404684003)  Where .../value is populated with a coded entry from Value Set Laboratory Tests (HW)	Laboratory Tests (HW) 1.3.6.1.4.1.19376.1.7.3.1.1.23.8.17
<b>Setting Goals and Supplying a care plan</b>			
Medications	New prescriptions		

IHE Quality, Research and Public Health Technical Framework Supplement – Healthy Weight (HW)

Element from the form	Description	CDA-DIR in HWS	Value Set
Goals	<p>Prevention and treatment of obesity requires the adoption of healthy behaviors. Best available evidence has shown that goal setting by patients and where applicable, parents in collaboration with a primary care team, when coupled with appropriate messaging and planning to achieve those goals, can lead to long-term behavior change and prevention and reduction of obesity. The EHR can support goal setting by enabling families and primary care teams to select one or more goals from a set of potential behaviors in need of change, for example:</p> <ul style="list-style-type: none"> <li>reducing intake of sugary beverages,</li> <li>increasing physical activity,</li> <li>obtaining sufficient sleep</li> </ul> <p>Goal selection may be selected from structured lists or selected in an open-ended manner. These goals can then be linked with a tailored set of activities and resources. Goals may be documented as Recommended Goals or Individualized Goals.</p>	<p>Healthy Weight Care Plan ClinicalDocument/component/structuredBody/component/section[templateId[ @root='1.3.6.1.4.1.19376.1.7.3.1.3.24.2' ] ]</p>	
Procedures and Interventions	<p>History of Interventions including:</p> <ul style="list-style-type: none"> <li>Referral (e.g., weight management program, dietitian, physical activity specialists)</li> <li>In-Office Education (e.g., nutrition counseling, physical activity counseling, community resources)</li> <li>Surgical Interventions</li> </ul>		
<b>Identification of Resources</b>			
Resources to support goals	<p>After identifying goals, barriers, and supports, patients and families must identify actionable strategies to achieve their goals. For example:</p> <ul style="list-style-type: none"> <li>• One key strategy is that primary care teams identify and link patients to resources in the community that can support <ul style="list-style-type: none"> <li>○ Improving diet ("Referral to dietitian, In-Office Education, Referral to weight management program", etc.)</li> <li>physical activity (YMCA, dance programs, parks and recreational areas, trainers/coaches, etc.)</li> </ul> </li> </ul> <p>Documentation of barriers and supports to attaining selected goals may be selected from structured lists or selected in an open-ended manner. The EHR may capture and store a tailored set of resources within the clinical care system and the community where the patient resides.</p>	<p>Resources to Support Goals ClinicalDocument/component/structuredBody/component/section[templateId[ @root='1.3.6.1.4.1.19376.1.7.3.1.3.24.1' ] ]</p>	

1310 **6.3.1.D1.4.2 Data Element Requirement Mappings to Message: HWFeed [QRPH-39] Transaction (Normative)**

This section specifies the mapping of data from the specified form data elements for this profile into the HWFeed [QRPH-39]. The Form Receiver message exporter SHALL use this table to populate the HWFeed message from the form data. This form element (name, item #), shall be

1315 represented in the message location as indicated in QRPH TF-2: 3.39.4.1 HWFeed [QRPH-39].

**Table 6.3.1.D1.4.2-1: Data Element Requirement Mappings to Message**

Element from the Form	Description	Message Location in QRPH-39	Value Set
<b>Assessment: Socio-Demographic Characteristics</b>			
Religious Affiliation	Optional Religious Affiliation to support diet impact on weight	PID-17	
Patient Identifier List	Patient Identifier List Included for pediatric patient matching	PID-3	
Patient Account Number	Patient Account Number Included for patient matching	PID-18	
Phone Number	Patient's Phone Number	PID-13 Phone Number – Home	
Mother's Maiden Name	Patient's Mother's Maiden Name	PID-6 Mother's Maiden Name	
Multiple Birth Indicator	Patient Multiple Birth Indicator	PID-24	
Birth Order	Patient Birth Order	PID-25	
Date/Time of Birth	Patient's date and time of birth	PID-7 Date/Time of Birth	
Administrative Sex	Patient's sex.	PID-8 Administrative Sex	HL7 AdministrativeGender 2.16.840.1.113883.5.1
Language	Languages Spoken	PID-15 Primary Language	2.16.840.1.114222.4.11.831, PHVS_Language_ISO_639-2_Alpha3
Race	Race(s) that best describes what the patient considers himself/herself to be	PID-10 Race	HL7 0005
Ethnic Group	Patient's ethnicity	PID-22 Ethnic Group	HL70189
Address (may be used to support Geographic grouping purposes)	Patient's address (e.g., Country, State, City, Street, Zip Code)	PID-11 Patient Address	
Education Level	Highest Level of Education Received by patient	NA	2.16.840.1.113883.5.1077

IHE Quality, Research and Public Health Technical Framework Supplement – Healthy Weight (HW)

Element from the Form	Description	Message Location in QRPH-39	Value Set
			HL7 EducationLevel
Household Income	Income level of the household where the patient resides	NA	
Next of Kin	Contact Information for Parent/Guardian		
Pertinent Insurance Information	Patient's Insurance details <ul style="list-style-type: none"> <li>insurance type</li> </ul>	OBX5.1 using valueset where OBX-3.1 contains the LOINC code for payer type ('48768-6'), ' and OBX-5.3 SHALL be valued 'PAYER'. And OBX-2 (Value type) SHALL be valued with 'CWE'	Source of Payer Typology (2.16.840.1.114222.4.11.3591)
<b>Assessment: Setting (Note: Recorded in Social History)</b>			
Setting	Settings of daily activities that impact the patient. These may include: <ul style="list-style-type: none"> <li>School information: Information about the school, education setting, and school-related behaviors (e.g., school name, special education, truancy, etc.)</li> </ul> Workplace: programs, location, environment	NA	
<b>Assessment: Setting (Note: Recorded in Social History)</b>			
School Name	Name of School, including Early care and Education, After school and daycare	NA	
Occupational Data for Health Occupational Data	<ul style="list-style-type: none"> <li>Occupation information including:</li> <li>Employment Status Organizer</li> <li>Usual Occupation</li> <li>History of Occupation</li> <li>Employment Status Observation</li> <li>Usual Occupation and Industry Organizer</li> <li>Occupation Observation Entry</li> <li>Work Shift Observation</li> <li>Usual Occupation Duration</li> <li>Usual Industry Duration</li> </ul>	NA	
<b>Assessment: Provider Visit Information</b>			
Provider Visit Information	<ul style="list-style-type: none"> <li>Provider's name</li> <li>Provider's ID</li> <li>Provider Address</li> <li>Provider Phone</li> <li>Visit Information including: Date of visit</li> </ul>	PV1	
<b>Assessment: Anthropometric Measurements</b>			
Height Recumbent	Patient's height, captured for patients 2 through 22 years. Patient Height and Weight are used for computing Body Mass Index (BMI) and are	OBX-3	8302-2 Body height, LOINC 3137-7, Body

IHE Quality, Research and Public Health Technical Framework Supplement – Healthy Weight (HW)

Element from the Form	Description	Message Location in QRPH-39	Value Set
Length	used with other demographics to compute BMI Percentile (see Appendix D) Recumbent Length of the patient lying down, captured for patients from birth to less than 2 years old as the 'height'. Patient Height and Weight are used for computing Body Mass Index (BMI) and are used with other demographics to compute BMI Percentile (see Appendix D)		height Measured, LOINC 8306-3 Body height lying, LOINC 8308-9 Body height standing, LOINC
	Filler Order Number	OBR-3 SHALL be a unique height and weight record ID of the sending system	
	Value Type	then OBX-2 (Value type) SHALL be valued with 'NM' (numeric)	
	Universal Service Identifier	OBR-4.1 SHALL be valued 'HWR' OBR-4.2 SHALL be valued 'Height and weight report' OBR-4.3 SHALL be valued 'L'.	
Weight (with or without clothes and shoes)	Patient's weight. Patient Height and Weight are used for computing Body Mass Index (BMI) and are used with other demographics to compute BMI Percentile (see Appendix D)	OBX3.2 where OBX-3.1 contains 'one of the values in the value set column'	29463-7 Body weight, LOINC 3141-9, Body weight Measured, LOINC 8352-7 Clothing worn during measure, LOINC
	Method	where OBX-3.1 contains 8352-7 Clothing worn during measure OBX-5.1 SHALL be valued with one of the values in the value set column	LA11871-3, Underwear or less, LOINC LA11872-1, Street clothes, no shoes, LOINC LA11873-9, Street clothes & shoes, LOINC
	Filler Order Number	OBR-3 SHALL be a unique height and weight record ID of the sending system	
	Value Type	then OBX-2 (Value type) SHALL be valued with 'NM' (numeric)	
	Universal Service Identifier	OBR-4.1 SHALL be valued 'HWR' OBR-4.2 SHALL be valued 'Height and weight report' OBR-4.3 SHALL be valued 'L'.	
Waist Circumference	A measurement of the distance around the smallest part of the abdomen	NA	
Skin Folds	The layer of skin and subcutaneous fat raised by pinching the skin and letting the underlying	NA	

IHE Quality, Research and Public Health Technical Framework Supplement – Healthy Weight (HW)

Element from the Form	Description	Message Location in QRPH-39	Value Set
	muscle fall back to the bone.		
Measured Percentage of Body Fat	Measured Percentage of body fat (e.g., using a bio-impedance device)	NA	
Blood Pressure	The pressure of the blood within the arteries.	NA	
Heart rate/Pulse	The number of pulse beats per minute.	NA	
BMI and BMI for age percentile for age/gender as appropriate for the child	A number calculated from weight and height (see Appendix D)	NA	
<b>Assessment: Active Problems</b>			
Active problems including, but not limited to Conditions that affect weight			
Weight Associated Conditions	Conditions that are associated with obesity that may be excluded or adjusted for in the calculation of BMI (e.g., pregnancy, prematurity, amputation), may influence weight or height (e.g., Prader Willi, acondroplasia), and/or are a result of increased BMI (e.g., hypertension, hypercholesterolemia), or are a combination of the above (e.g., diabetes).	OBX3.2 where OBX-3.1 contains '44100-6 Medical problem, LOINC	Weight Associated Condition value set (1.3.6.1.4.1.19376.1.7.3.1.1.23.8.19),
	Value Type	then OBX-2 (Value type) SHALL be valued with 'CWE'	
Mother Currently breast feeding	Mother Currently breast feeding	NA	
Pregnant	Pregnant	NA	
<b>Behaviors (primarily aspects of Social History)</b>			
<i>Infant Feeding</i>			
Currently Breastfeeding	Is the patient Breast Fed?	NA	
Consuming Infant Formula	How much formula does the patient drink per day?	NA	
Complimentary Foods	Is the patient fed something other than breast milk or formula? Please include juice, cow's milk, sugar water, baby food, or anything else that [child] may have been given, even water.	NA	
Patient having trouble breastfeeding	Is the patient having any problems breastfeeding?	NA	
Addition of Cereal to Bottle	Did you add cereal to your baby's bottle of formula or pumped (or expressed) breast milk in the past two weeks?	NA	
<i>Drinks</i>			
Frequency of Sugar-Sweetened	Yesterday, how many times did the patient drink any punch, Kool-Aid®, Tampico, other	NA	

IHE Quality, Research and Public Health Technical Framework Supplement – Healthy Weight (HW)

Element from the Form	Description	Message Location in QRPH-39	Value Set
Beverages (SSB) intake (fruit-flavored drinks, sports drinks)	fruit-flavored drinks, or sports drinks? Do not count 100% fruit juice.		
Frequency of sugar-sweetened beverages (SSB) intake (soft drinks)	Yesterday, how many times did the patient drink any regular (not diet) sodas or soft drinks	NA	
Frequency of Water Intake	Yesterday, how many times did the patient drink bottles or glasses of water? Include plain water, sparkling or any other water drink that has 0 calories.	NA	
Frequency of Milk Intake	1 through 21 years. Yesterday, how much milk did the patient drink?	NA	
<i>Fruits</i>			
Frequency of Fruit Intake (Non-juice)	Yesterday, how many times the patient you eat fruit? Do not count fruit juice. Please think about all forms of fruits, including cooked or raw, fresh, frozen or canned.	NA	
Frequency of 100% Fruit intake (juice)	Yesterday, how many times did the patient drink 100% fruit juice? Fruit juice is a drink, which is 100% juice, like orange juice, apple juice, or grape juice. Do not count punch, Kool-Aid®, Tampico, sports drinks, or other fruit-flavored drinks	NA	
<i>Vegetables</i>			
Frequency of Vegetable Intake	Yesterday, how many times did the patient eat any vegetables? Vegetables are all cooked and uncooked vegetables; salads. Do not count French fries, fried potatoes, or potato chips	NA	
<i>Nutrition Quality</i>			
Frequency of Healthy Snacks	Yesterday, what percent of snacks were healthy? A healthy snack may include whole, cut or frozen fruits without added sugar, and whole or cooked vegetables.	NA	
Frequency of Family Meals	In the past week, how many times were dinners prepared at home and eaten together at the dinner table as a family?	NA	
Frequency of restaurant food intake	Yesterday, how many times did the patient eat food from any type of restaurant? This includes restaurants such as fast food, sit down restaurants, buffet restaurants, taco shops, donut shops, and pizza places.	NA	
Frequency of Fatty Foods Intake	Yesterday, did the patient eat French fries or chips? Examples are: potato chips, tortilla chips, Cheetos®, corn chips, or other snack chips.	NA	



IHE Quality, Research and Public Health Technical Framework Supplement – Healthy Weight (HW)

Element from the Form	Description	Message Location in QRPH-39	Value Set
Dietary Behavior (Findings)	Dietary behaviors to be answered with SNOMED-CT findings	NA	
Food Insecurity	How often in the past 12 months would you say you were worried or stressed about having enough money to buy nutritious meals?	NA	
<i>Physical Activity</i>			
Physical Activity Behavior	Findings of Physical Activity Behaviors to be answered with SNOMED-CT coded values	NA	
Frequency of Physical Activity	For Children and Adolescents: 'Days per week of physical activity (any kind of physical activity that increased his/her heart rate and made him/her breathe hard some of the time)'  For Adults: 'Days per week of moderate to strenuous exercise (like a brisk walk)'	NA	
Exercise Duration	Minutes per day of physical activity at this level.	NA	
<i>Screen Time</i>			
Frequency of Screen-Time (TV/DVDs)	On a typical day in the past week, how much time did you spend watching TV/DVDs? (Answer separately for weekday and weekend days)	NA	
Frequency of Screen-Time (video games and computer games)	On a typical day in the past week, how much time did you spend playing video games and computer games? (Answer separately for weekday and weekend days)	NA	
<i>Sleep</i>			
Bedtime	At what time do you usually go to bed	NA	
Hours of Sleep per night	How many Hrs do you normally sleep	NA	
<i>Readiness for improved behaviors</i>			
Readiness for Change for Improved Nutrition	On a scale of 1-10 with 1 representing no readiness to change and 10 representing an exceptional readiness for change, please rate the patient's readiness to improve his/her nutrition.	NA	
Readiness for Change for Improved Sleep Patterns	On a scale of 1-10 with 1 representing no readiness to change and 10 representing an exceptional readiness for change, please rate the patient's readiness to improve his/her sleep habits.	NA	
Readiness for Change for Improved Exercise	On a scale of 1-10 with 1 representing no readiness to change and 10 representing an exceptional readiness for change, please rate the patient's readiness to improve his/her	NA	

IHE Quality, Research and Public Health Technical Framework Supplement – Healthy Weight (HW)

Element from the Form	Description	Message Location in QRPH-39	Value Set
	exercise habits.		
Readiness for Change for Improved Screen-time	On a scale of 1-10 with 1 representing no readiness to change and 10 representing an exceptional readiness for change, please rate the patient's readiness to improve his/her screen time habits.	NA	
<b>Continuity of Care</b>			
Procedures and Interventions	History of Interventions including: <ul style="list-style-type: none"> <li>Referral (e.g., weight management program, dietitian, physical activity specialists)</li> <li>In-Office Education (e.g., nutrition counseling, physical activity counseling, community resources)</li> </ul> Surgical Interventions	NA	
Medications	Current Medications including, but not limited to Weight Influencing Medications and Weight Management Medications (value set not specified)	NA	
Coded Family Medical History	Family History of conditions that may impact the patient Healthy Weight (e.g., Parental Obesity, CVD, HTN, Dyslipidemia, NIDDM, Insulin Resistance)	NA	
Laboratory Results	Results from laboratory testing including : HW Laboratory Results (Value Set)	NA	
<b>Setting Goals and Supplying a care plan</b>			
Medications	New prescriptions	NA	
Goals	Prevention and treatment of obesity requires the adoption of healthy behaviors. Best available evidence has shown that goal setting by patients and where applicable, parents in collaboration with a primary care team, when coupled with appropriate messaging and planning to achieve those goals, can lead to long-term behavior change and prevention and reduction of obesity. The EHR can support goal setting by enabling families and primary care teams to select one or more goals from a set of potential behaviors in need of change, for example: <ul style="list-style-type: none"> <li>reducing intake of sugary beverages,</li> <li>increasing physical activity,</li> <li>obtaining sufficient sleep</li> </ul> Goal selection may be selected from structured lists or selected in an open-ended manner. These goals can then be linked with a tailored set of activities and resources. Goals may be documented as Recommended Goals or Individualized Goals.	NA	

Element from the Form	Description	Message Location in QRPH-39	Value Set
Procedures and Interventions	History of Interventions including: <ul style="list-style-type: none"> <li>• Referral (e.g., weight management program, dietitian, physical activity specialists)</li> <li>• In-Office Education (e.g., nutrition counseling, physical activity counseling, community resources)</li> </ul> Surgical Interventions	NA	
<b>Identification of Resources</b>			
Resources to support goals	After identifying goals, barriers, and supports, patients and families must identify actionable strategies to achieve their goals. For example: <ul style="list-style-type: none"> <li>• One key strategy is that primary care teams identify and link patients to resources in the community that can support                             <ul style="list-style-type: none"> <li>○ Improving diet ("Referral to dietitian, In-Office Education, Referral to weight management program", etc.)</li> <li>physical activity (YMCA, dance programs, parks and recreational areas, trainers/coaches, etc.)</li> </ul> </li> </ul> Documentation of barriers and supports to attaining selected goals may be selected from structured lists or selected in an open-ended manner. The EHR may capture and store a tailored set of resources within the clinical care system and the community where the patient resides.	NA	

### 6.3.1.D1.5 Healthy Weight Summary (HWS) Document Content Module Specification

1320 This section specifies the header, section, and entry content modules which comprise the Healthy Weight Summary (HWS) Document Content Module, using the Template ID (1.3.6.1.4.1.19376.1.7.3.1.1.24.1) as the key identifier.

Sections that are used according to the definitions in other specifications are identified with the relevant specification document. Additional constraints on vocabulary value sets, not specifically constrained within the section template, are also identified.

1325

**Table 6.3.1.D1.5-1: Healthy Weight Summary HWS Content Module Specification**

<b>Template Name</b>	Healthy Weight Summary (HWS)
----------------------	------------------------------

IHE Quality, Research and Public Health Technical Framework Supplement – Healthy Weight (HW)

<b>Template ID</b>	1.3.6.1.4.1.19376.1.7.3.1.1.24.1
<b>Parent Template</b>	Medical Summary Specification 1.3.6.1.4.1.19376.1.5.3.1.1.2 (PCC)
<b>General Description</b>	Document summary specification to support communication of healthy weight content to public health and for healthy weight management
<b>Document Code</b>	SHALL be 76543-8 Healthy Weight summary note (CodeSystem: 2.16.840.1.113883.6.1 LOINC)

Template Title	Opt and Card	Condition	Template Type	templateId	Vocabulary Constraints
Personal Information: name	R[1..1]		Header	1.3.6.1.4.1.19376.1.5.3.1.1.1	
Personal Information: birthtime	R[1..1]		Header	1.3.6.1.4.1.19376.1.5.3.1.1.1	
Personal Information: addr	R2[0..1]		Header	1.3.6.1.4.1.19376.1.5.3.1.1.1	
Personal Information: ethnicity	R2[0..1]		Header	1.3.6.1.4.1.19376.1.5.3.1.1.1	6.3.2.H.1
Personal Information: race	R2[0..1]		Header	1.3.6.1.4.1.19376.1.5.3.1.1.1	6.3.2.H.2
Personal Information: gender	R[1..1]		Header	1.3.6.1.4.1.19376.1.5.3.1.1.1	6.3.2.H.3
Personal Information: Mother's Maiden Name	R2[0..1]		Header	See Open Issues	
Personal Information: Phone Number – Home	R2[0..1]		Header	1.3.6.1.4.1.19376.1.5.3.1.1.1	
Personal Information: Religious	R2[0..1]		Header	1.3.6.1.4.1.19376.1.5.3.1.1.1	
Personal Information: Patient Identifier List	R2[0..1]		Header	1.3.6.1.4.1.19376.1.5.3.1.1.1	
Personal Information: Patient Home Telephone	R2[0..1]		Header	1.3.6.1.4.1.19376.1.5.3.1.1.1	
Personal Information: Patient Multiple Birth Indicator	R2[0..1]		Header	1.3.6.1.4.1.19376.1.5.3.1.1.1	
Personal Information: Patient Birth Order	R2[0..1]		Header	1.3.6.1.4.1.19376.1.5.3.1.1.1	
Personal Information: Patient Account Number	R2[0..1]		Header	1.3.6.1.4.1.19376.1.5.3.1.1.1	
Languages Communication	R2[0..1]		Header	1.3.6.1.4.1.19376.1.5.3.1.2.1	6.3.2.H.4
Employer and School Contacts	R2[0..1]		Header	1.3.6.1.4.1.19376.1.5.3.1.2.2	
Healthcare Providers and Pharmacies	R2[0..1]		Header	1.3.6.1.4.1.19376.1.5.3.1.2.3	
Patient Contacts	R2[0..1]		Header	1.3.6.1.4.1.19376.1.5.3.1.2.4	

Template Title	Opt and Card	Condition	Template Type	templateId	Vocabulary Constraints
Payers Section	O[0..1]		Section	1.3.6.1.4.1.19376.1.5.3.1.1.5.3.7	QRPH TF-3: 6.3.1.D1.5.3
Medications Section	R2[0..1]		Section	1.3.6.1.4.1.19376.1.5.3.1.3.19	QRPH TF-3:6.3.1.D1.5.1
Coded Social History Section	R[1..1]		Section	1.3.6.1.4.1.19376.1.5.3.1.3.16.1	QRPH TF-3:6.3.1.D1.5.2
<ul style="list-style-type: none"> <li>Occupational Data for Health sub-Section</li> </ul>	O[0..*]		Sub-Section	1.3.6.1.4.1.19376.1.5.3.1.3.37	PCC TF-3:6.3.3.10.5.1
Coded Vital Signs Section	R[1..1]		Section	1.3.6.1.4.1.19376.1.5.3.1.1.5.3.2	QRPH TF-3:6.3.1.D1.5.4
Active Problem Section	R[1..1]		Section	1.3.6.1.4.1.19376.1.5.3.1.3.6	QRPH TF-3:6.3.1.D1.5.5
Procedures and Interventions	R2[0..1]		Section	1.3.6.1.4.1.19376.1.5.3.1.1.13.2.11	QRPH TF-3:6.3.1.D1.5.6
Coded Family History Section	R2[0..1]		Section	1.3.6.1.4.1.19376.1.5.3.1.3.15	QRPH TF-3:6.3.1.D1.5.7
Healthy Weight Care Plan	O[0..1]		Section	1.3.6.1.4.1.19376.1.7.3.1.3.24.2	QRPH TF-3:6.3.3.10.S2
Resources to Support Goals	O[0..1]		Section	1.3.6.1.4.1.19376.1.7.3.1.3.24.1	QRPH TF-3:6.3.3.10.S1
Coded Results Section Labs	R2[0..1]		Section	1.3.6.1.4.1.19376.1.5.3.1.3.28	QRPH TF-3:6.3.1.D1.5.8

### 6.3.1.D1.5.1 Medications Section Vocabulary Constraints

- 1330 Within the Medications section the Form Receiver CDA Exporter or Content Creator SHALL be able to create a Medications entry (templateID 1.3.6.1.4.1.19376.1.5.3.1.4.7 [PCC TF-2]) for each of the healthy weight relevant medications identified in Value Set 1.3.6.1.4.1.19376.1.7.3.1.1.24.8.2 Healthy Weight Drug Treatment Classes, and Value Set 1.3.6.1.4.1.19376.1.7.3.1.1.24.8.1 Healthy Weight Influencing Drug Classes, encoding the value in

substanceAdministration/consumable/ManufacturedProduct/Material/code.

### 6.3.1.D1.5.2 Coded Social History Section Vocabulary Constraint

#### 6.3.1.D1.5.2.1 Education Level

- 1340 Within the Coded Social History section the Form Receiver CDA Exporter or Content Creator SHOULD be able to create a Social History Observation (templateID 1.3.6.1.4.1.19376.1.5.3.1.4.13.4 [PCC TF-2])

For patients up to age 21, **Parent's Education** level,

- for each of the healthy weight relevant Education Levels identified by Value Set 2.16.840.1.113883.5.1077 *HL7Education Level* vocabulary,
- 1345
- encoding the value in  
ClinicalDocument/component/structuredBody/component/section[templateId[@root='1.3.6.1.4.1.19376.1.5.3.1.3.16.1']]/entry/observation[templateId[@root="1.3.6.1.4.1.19376.1.5.3.1.4.13.4"]]/value
  - For Mother's education
- 1350
- where .../code[@code='67577-7']] How far in school did she go, LOINC
  - For Father's education
- where .../code[@code='67578-5']] How far in school did he go, LOINC
  - Using the value set 2.16.840.1.113883.5.1077 *HL7EducationLevel*.
  - For *Less than 1st grade indicate '0', and for Grade 1 through 11 – Specify grade 1 – 11*

1355

For **Patients education**

- encoding the value in:
    - ClinicalDocument/component/structuredBody/component/section[templateId[@root='1.3.6.1.4.1.19376.1.5.3.1.3.16.1']]/entry/observation[templateId[@root="1.3.6.1.4.1.19376.1.5.3.1.4.13.4"]]/value where .../code[@code='64990-5']] Grade in school, if applicable, LOINC For patients up to age 21,
  - Using an integer to reflect the grade level, and
  - For patients over 18 using the value set 2.16.840.1.113883.5.1077 *HL7 EducationLevel*.  
And
- 1365
- presenting the question to the user consistent with defined clinical, surveillance, and research questions/guidelines:  
**For patient:**  
What is the highest level of school that this PATIENT has completed or highest degree that this PATIENT has received?
- 1370
- For the Mother, Father, or Caregiver:  
What is the highest level of school that the patient's PRIMARY CAREGIVER has completed or highest degree that the patient's PRIMARY CAREGIVER has received?

### 6.3.1.D1.5.2.2 Household Income

1375 Within the Coded Social History section the Form Receiver CDA Exporter or Content Creator MAY be able to create a Social History Observation (templateID 1.3.6.1.4.1.19376.1.5.3.1.4.13.4 [PCC TF-2])

reflecting the *Household Income* in

- 1380
  - encoding the value in  
ClinicalDocument/component/structuredBody/component/section[templateId[@root='1.3.6.1.4.1.19376.1.5.3.1.3.16.1']]/entry/observation[templateId[@root="1.3.6.1.4.1.19376.1.5.3.1.4.13.4"]]/value
  - Identifying the Range or Actual number
    - where .../code[@code=' 77244-2 '] Household income in last Y , LOINC, and
- 1385
  - Presenting the question to the user consistent with defined population surveys:  
'Which category represents the total combined income of all members of your FAMILY during the past 12 months? This includes money from jobs, net income from business, farm or rent, pensions, dividends, interest, social security payments and other money income received by members of your FAMILY who are 15 years of age or older.'

### 1390 6.3.1.D1.5.2.3 Nutritional History

Within the Coded Social History section the Form Receiver CDA Exporter or Content Creator SHOULD be able to create a Social History Observation (templateID 1.3.6.1.4.1.19376.1.5.3.1.4.13.4 [PCC TF-2])

Reflecting:

#### 1395 6.3.1.D1.5.2.3.1 Infant Feeding

for patients from Birth to less than 18 months documenting that the child is *Currently Breastfeeding* in

- 1400
  - encoding the value in  
ClinicalDocument/component/structuredBody/component/section[templateId[@root='1.3.6.1.4.1.19376.1.5.3.1.3.16.1']]/entry/observation[templateId[@root="1.3.6.1.4.1.19376.1.5.3.1.4.13.4"]]/value
  - Using A Boolean indicator (Yes/No) that tells whether the infant is currently breast feeding
    - Where .../code[@code=' 77318-4'] Is the patient currently breastfeeding, LOINC,
- 1405
  - Presenting the question to the user consistent with the PHA Use case:  
'Is the patient Breast Fed?'

- 1410 for patients from Birth to less than 12 months, documenting whether or not the child is currently **Consuming Infant Formula** in
- encoding the value in  
ClinicalDocument/component/structuredBody/component/section[templateId[@root='1.3.6.1.4.1.19376.1.5.3.1.3.16.1']]/entry/observation[templateId[@root="1.3.6.1.4.1.19376.1.5.3.1.4.13.4"]]/value
- 1415
- Using numbers and UCUM units to reflect ounces/day OR ml/day (per jurisdiction)
    - Where .../code[@code='77240-0'] Consuming infant formula , LOINC
  - Presenting the question to the user consistent with the PHA Use case:  
'How much formula does the patient drink per day?'
- 1420 for patients from Birth to less than 12 months, documenting whether or not the child is currently consuming **Complimentary Foods** in
- encoding the value in  
ClinicalDocument/component/structuredBody/component/section[templateId[@root='1.3.6.1.4.1.19376.1.5.3.1.3.16.1']]/entry/observation[templateId[@root="1.3.6.1.4.1.19376.1.5.3.1.4.13.4"]]/value
- 1425
- Using a Boolean indicator (Yes/No) that tells whether the patient is eating Complimentary Foods
    - Where .../code[@code='77239-2'] Infant is currently eating or drinking something other than breast milk, LOINC
- 1430
- Presenting the question to the user consistent with the [ePlans Use Cases](#):  
'Is the patient fed something other than breast milk or formula? Please include juice, cow's milk, sugar water, baby food, or anything else that [child] may have been given, even water.'
- 1435 for patients from Birth to less than 12 months, documenting whether or not the child is currently consuming **Addition of Cereal to Bottle** in
- encoding the value in  
ClinicalDocument/component/structuredBody/component/section[templateId[@root='1.3.6.1.4.1.19376.1.5.3.1.3.16.1']]/entry/observation[templateId[@root="1.3.6.1.4.1.19376.1.5.3.1.4.13.4"]]/value
- 1440
- Using a Boolean indicator (Yes/No) that tells whether Cereal is added to the Bottle



- Where .../code[@code='77316-8'] How often have you added cereal to your baby's bottle of formula or pumped (or expressed) breast milk in the past 2W [IFPS-II], LOINC
- 1445
- Presenting the question to the user consistent with the ePlans Use Cases:  
'Do you add cereal to your baby's bottle of formula or pumped (or expressed) breast milk in the past two weeks?'
- 1450
- for patients that are women that are breastfeeding or infants up to 18 months that are breastfeeding, is the ***Patient Having Trouble Breastfeeding***.
- encoding the value in  
ClinicalDocument/component/structuredBody/component/section[templateId[@root='1.3.6.1.4.1.19376.1.5.3.1.3.16.1']]/entry/observation[templateId[@root="1.3.6.1.4.1.19376.1.5.3.1.4.13.4"]]/value
- 1455
- Using A Boolean indicator (Yes/No) that tells whether the patient is having trouble breastfeeding
    - Where .../code[@code=' 77241-8 '] Patient having trouble breastfeeding , LOINC
- 1460
- Presenting the question to the user consistent with the [ePlans Use Cases](#) (and asked of the mother where the patient is an infant):  
'Is the patient having any problems breastfeeding?'

### 6.3.1.D1.5.2.3.2 Drinks

documenting ***Frequency of fruit flavored or sports drinks intake*** in

- 1465
- encoding the value in  
ClinicalDocument/component/structuredBody/component/section[templateId[@root='1.3.6.1.4.1.19376.1.5.3.1.3.16.1']]/entry/observation[templateId[@root="1.3.6.1.4.1.19376.1.5.3.1.4.13.4"]]/value
  - Using numbers UCUM codes to indicate units to reflect times/day OR servings/day
- 1470
- Where .../code[@code=' 77297-0 '] Yesterday, how many times did the patient drink any punch, Kool-Aid, Tampico, other fruit-flavored drinks, or sports drinks, LOINC
  - Presenting the question to the user consistent with defined clinical, surveillance and research questions (Sugar-Sweetened Beverages (SSB)):
- 1475
- 'Yesterday, how many times did the patient drink any punch, Kool-Aid®, Tampico, other fruit-flavored drinks, or sports drinks? Do not count 100% fruit juice.'

documenting *Frequency of soft drink intake* in

- 1480 • encoding the value in  
ClinicalDocument/component/structuredBody/component/section[templateId[@root='1.3.6.1.4.1.19376.1.5.3.1.3.16.1']]/entry/observation[templateId[@root="1.3.6.1.4.1.19376.1.5.3.1.4.13.4"]]/value
- 1485 • Using numbers and units to reflect times/day
  - Where .../code[@code=' 77300-2 ' ] Yesterday, how many times did the patient drink any regular (not diet) sodas or soft drinks
- Presenting the question to the user consistent with defined clinical, surveillance, and research questions/guidelines (Sugar-Sweetened Beverages (SSB)):  
'Yesterday, how many times did the patient drink any regular (not diet) sodas or soft drinks?'

1490

documenting *Frequency of Water Intake* in

- 1495 • encoding the value in  
ClinicalDocument/component/structuredBody/component/section[templateId[@root='1.3.6.1.4.1.19376.1.5.3.1.3.16.1']]/entry/observation[templateId[@root="1.3.6.1.4.1.19376.1.5.3.1.4.13.4"]]/value
- Using numbers and units to reflect times/day
  - Where .../code[@code=' 77295-4' ] Frequency of water intake, LOINC
- And SHOULD present the question to the user consistent with defined clinical, surveillance and research questions (Water):  
'Yesterday, how many times did the patient drink bottles or glasses of water? Include plain water, sparkling or any other water drink that has 0 calories.'

1500

for patients ages 1-21 years, the *frequency of milk intake*.

- 1505 • encoding the value in  
ClinicalDocument/component/structuredBody/component/section[templateId[@root='1.3.6.1.4.1.19376.1.5.3.1.3.16.1']]/entry/observation[templateId[@root="1.3.6.1.4.1.19376.1.5.3.1.4.13.4"]]/value
- 1510 • Using numbers and units to reflect portions/day
  - Where .../code[@code=' 77393-7' ] Yesterday, how many 8-ounce portions of milk did the patient drink, LOINC

- And presenting the question to the user consistent with the ePlans Use Cases:  
‘Yesterday, how many 8-ounce portions of milk did the patient drink?’

### 6.3.1.D1.5.2.3.3 Fruits

- 1515
- documenting *Frequency of Fruit Intake (Non-juice)* in
  - encoding the value in  
ClinicalDocument/component/structuredBody/component/section[templateId[@root='1.3.6.1.4.1.19376.1.5.3.1.3.16.1']]/entry/observation[templateId[@root="1.3.6.1.4.1.19376.1.5.3.1.4.13.4"]]/value
- 1520
- Using numbers and units to reflect times/day
    - Where .../code[@code=' 77299-6'] Frequency of Fruit Intake (Non-juice) LOINC
  - Presenting the question to the user consistent with defined clinical, surveillance and research questions (Fruit Intake):
- 1525
- ‘Yesterday, how many times did the patient eat fruit? Do not count fruit juice. Please think about all forms of fruits, including cooked or raw, fresh, frozen or canned.’

### documenting *Frequency of 100% Fruit Juice Intake* in

- 1530
- encoding the value in  
ClinicalDocument/component/structuredBody/component/section[templateId[@root='1.3.6.1.4.1.19376.1.5.3.1.3.16.1']]/entry/observation[templateId[@root="1.3.6.1.4.1.19376.1.5.3.1.4.13.4"]]/value
  - Using numbers and units to reflect times/day
    - Where .../code[@code=' 77296-2'] Yesterday, how many times did the patient
- 1535
- drink 100% fruit juice, LOINC
- Presenting the question to the user consistent with defined clinical, surveillance and research questions (Fruit Intake):
- 1540
- ‘Yesterday, how many times did the patient drink 100% fruit juice? Fruit juice is a drink, which is 100% juice, like orange juice, apple juice, or grape juice. Do not count punch, Kool-Aid®, Tampico, sports drinks, or other fruit-flavored drinks.’

### documenting *Frequency of Fast Food Intake* in

- encoding the value in  
ClinicalDocument/component/structuredBody/component/section[templateId[@root='1.3

- 1545 .6.1.4.1.19376.1.5.3.1.3.16.1']]/entry/observation[templateId[@root="1.3.6.1.4.1.19376.1.5.3.1.4.13.4"]]/value
- Using numbers and units to reflect times/day
    - Where .../code[@code='77298-8'] How many times a week did you eat fast food or snacks or pizza in past 7 days , LOINC
- 1550
- Presenting the question to the user consistent with defined clinical, surveillance and research questions (Fast Food Intake):  
'Yesterday, how many times did the patient eat food from any type of restaurant? This includes restaurants such as fast food, sit down restaurants, buffet restaurants, taco shops, donut shops, and pizza places.'
- 1555 **6.3.1.D1.5.2.3.4 Vegetables**  
documenting *Frequency of Vegetable Intake* in
- encoding the value in  
ClinicalDocument/component/structuredBody/component/section[templateId[@root='1.3.6.1.4.1.19376.1.5.3.1.3.16.1']]/entry/observation[templateId[@root="1.3.6.1.4.1.19376.1.5.3.1.4.13.4"]]/value
  - Using numbers and units to reflect times/day
    - Where .../code[@code='77294-7 ' Frequency of vegetable intake, LOINC
  - Presenting the question to the user consistent with defined clinical, surveillance and research questions (Vegetable Intake):
- 1565 'Yesterday, how many times did the patient eat any vegetables? Vegetables are all cooked and uncooked vegetables; salads. Do not count French fries, fried potatoes, or potato chips.'
- 6.3.1.D1.5.2.3.5 Nutritional Quality**  
documenting *Frequency of Healthy Snacks* in
- 1570
- encoding the value in  
ClinicalDocument/component/structuredBody/component/section[templateId[@root='1.3.6.1.4.1.19376.1.5.3.1.3.16.1']]/entry/observation[templateId[@root="1.3.6.1.4.1.19376.1.5.3.1.4.13.4"]]/value
  - Using numbers and units to reflect times/day
- 1575
- Where .../code[@code=' 77315-0'] Frequency of Healthy Snacks, LOINC
  - Presenting the question to the user consistent with the ePlans Use Cases:  
'Yesterday, what percent of snacks were healthy?'

documenting *Frequency of Family Meals* in

- 1580
- encoding the value in  
ClinicalDocument/component/structuredBody/component/section[templateId[@root='1.3.6.1.4.1.19376.1.5.3.1.3.16.1']]/entry/observation[templateId[@root="1.3.6.1.4.1.19376.1.5.3.1.4.13.4"]]/value
  - Using numbers and units to reflect times/day
- 1585
- Where .../code[@code=' 77317-6'] In the past W, how many times were dinners prepared at home and eaten together, LOINC
  - Presenting the question to the user consistent with the ePlans Use Cases:  
'In the past week, how many times were dinners prepared at home and eaten together at the dinner table as a family?'

1590

documenting *Fatty Food Intake* in

- encoding the value in  
ClinicalDocument/component/structuredBody/component/section[templateId[@root='1.3.6.1.4.1.19376.1.5.3.1.3.16.1']]/entry/observation[templateId[@root="1.3.6.1.4.1.19376.1.5.3.1.4.13.4"]]/value
- Using numbers and units to reflect times/day
  - Where .../code[@code=' 77308-5'] Frequency of Fatty Foods Intake, LOINC
- Presenting the question to the user consistent with defined clinical, surveillance and research questions:  
1600 'Yesterday, did the patient eat French fries or chips? Examples are: potato chips, tortilla chips, Cheetos®, corn chips, or other snack chips.'

reflecting the **Dietary Behavior (Findings)** in

- 1605
- encoding the value in  
ClinicalDocument/component/structuredBody/component/section[templateId[@root='1.3.6.1.4.1.19376.1.5.3.1.3.16.1']]/entry/observation[templateId[@root="1.3.6.1.4.1.19376.1.5.3.1.4.13.4"]]/value
  - Using the value set *Dietary Behavior* 1.3.6.1.4.1.19376.1.7.3.1.1.23.8.8
    - where .../code[@code=' 77243-4 ' ] Dietary behavior , LOINC

1610

documenting *food insecurity*.

- 1615
  - encoding the value in  
ClinicalDocument/component/structuredBody/component/section[templateId[@root='1.3.6.1.4.1.19376.1.5.3.1.3.16.1']]/entry/observation[templateId[@root="1.3.6.1.4.1.19376.1.5.3.1.4.13.4"]]/value
  - Using A Boolean indicator (Yes/No) that tells whether the patient is having food insecurity
    - Where .../code[@code=' 77234-3'] Food insecurity, LOINC
  - Presenting the question to the user consistent with the ePlans Use Cases:
- 1620
  - 'How often in the past 12 Mos would you say the patient was worried or stressed about having enough money to buy nutritious meals?'

#### 6.3.1.D1.5.2.4 Physical Activity

1625 Within the Coded Social History section the Form Receiver CDA Exporter or Content Creator SHOULD be able to create a Social History Observation (templateID 1.3.6.1.4.1.19376.1.5.3.1.4.13.4 [PCC TF-2])

reflecting the *Physical Activity Behaviors for patients >2 years old* in

- 1630
  - encoding the value in  
ClinicalDocument/component/structuredBody/component/section[templateId[@root='1.3.6.1.4.1.19376.1.5.3.1.3.16.1']]/entry/observation[templateId[@root="1.3.6.1.4.1.19376.1.5.3.1.4.13.4"]]/value
  - Using the value set *Physical Activity Behavior* 1.3.6.1.4.1.19376.1.7.3.1.1.23.8.9
    - where .../code[@code=' 77242-6 ' Physical activity behavior , LOINC

documenting *Frequency of Physical Activity – for Children and Adolescents* in

- 1635
  - encoding the value in  
ClinicalDocument/component/structuredBody/component/section[templateId[@root='1.3.6.1.4.1.19376.1.5.3.1.3.16.1']]/entry/observation[templateId[@root="1.3.6.1.4.1.19376.1.5.3.1.4.13.4"]]/value
  - Using numbers and units to reflect days/week
- 1640
  - Where .../code[@code=' 77293-9'] Days per week of moderate to vigorous physical activity, LOINC
  - Presenting the question to the user consistent with defined clinical, surveillance and research questions (Physical activity):  
For Children and Adolescents:

1645 ‘Days per week of physical activity (any kind of physical activity that increased his/her heart rate and made him/her breathe hard some of the time)’

documenting *Frequency of Physical Activity – for Adults* in

1650 • encoding the value in  
ClinicalDocument/component/structuredBody/component/section[templateId[@root='1.3.6.1.4.1.19376.1.5.3.1.3.16.1']]/entry/observation[templateId[@root="1.3.6.1.4.1.19376.1.5.3.1.4.13.4"]]/value

1655 • Using numbers and units to reflect days/week  
○ Where .../code[@code='68515-6'] How many days of moderate to strenuous exercise, like a brisk walk, did you do in the last 7 days, LOINC

• Presenting the question to the user consistent with defined clinical, surveillance and research questions (Physical activity):

For Adults:

‘Days per week of moderate to strenuous exercise (like a brisk walk)’

1660

reflecting *Exercise Duration* in

1665 • encoding the value in  
ClinicalDocument/component/structuredBody/component/section[templateId[@root='1.3.6.1.4.1.19376.1.5.3.1.3.16.1']]/entry/observation[templateId[@root="1.3.6.1.4.1.19376.1.5.3.1.4.13.4"]]/value

• Using numbers and units to reflect minutes/day  
○ Where .../code[@code='55411-3'] Exercise duration, LOINC

• Presenting the question to the user consistent with defined clinical, surveillance and research questions (Exercise Duration):

1670 For Children and Adolescents:

‘In the past week, minutes per day of physical activity at this level’

For Adults:

‘In the past week, minutes per day of exercise at this level’

1675 **6.3.1.D1.5.2.5 Screen Time**

documenting frequency of *Screen- Time (TV/DVDs) Weekdays* in

- 1680 • encoding the value in  
ClinicalDocument/component/structuredBody/component/section[templateId[@root='1.3.6.1.4.1.19376.1.5.3.1.3.16.1']]/entry/observation[templateId[@root="1.3.6.1.4.1.19376.1.5.3.1.4.13.4"]]/value
- Using numbers and units to reflect hours and minutes/day
  - Where .../code[@code=' 77235-0'] Frequency of Screen- Time (TV/DVDs) Weekdays, LOINC
- 1685 • Presenting the question to the user consistent with defined clinical, surveillance and research questions (Screen- Time (TV/DVDs) Weekdays):  
'On a typical weekday in the past W, how much time did the patient spend watching TV &or DVDs'

documenting frequency of *Screen-Time (TV/DVDs) Weekends* in

- 1690 • encoding the value in  
ClinicalDocument/component/structuredBody/component/section[templateId[@root='1.3.6.1.4.1.19376.1.5.3.1.3.16.1']]/entry/observation[templateId[@root="1.3.6.1.4.1.19376.1.5.3.1.4.13.4"]]/value
- Using numbers and units to reflect times/day
  - 1695 ○ Where .../code[@code=' 77236-8'] Frequency of Screen-Time (TV/DVDs) Weekends, LOINC
- Presenting the question to the user consistent with defined clinical, surveillance and research questions (Screen-Time (TV/DVDs) Weekends):  
1700 'On a typical weekend D in the past W, how much time did the patient spend watching TV &or DVDs'

documenting frequency of *Screen- Time (video games and computer games) Weekdays* in

- 1705 • encoding the value in  
ClinicalDocument/component/structuredBody/component/section[templateId[@root='1.3.6.1.4.1.19376.1.5.3.1.3.16.1']]/entry/observation[templateId[@root="1.3.6.1.4.1.19376.1.5.3.1.4.13.4"]]/value
- Using numbers and units to reflect hours and minutes/day
  - Where .../code[@code=' 77237-6'] Frequency of Screen-Time (video games and computer games) Weekdays, LOINC
- 1710 • Presenting the question to the user consistent with defined clinical, surveillance and research questions (Screen Time):



‘On a typical weekday in the past W, how much time did the patient spend playing video games and computer games

- 1715 documenting frequency of *Screen-Time (video games and computer games) Weekends* in
- encoding the value in  
ClinicalDocument/component/structuredBody/component/section[templateId[@root='1.3.6.1.4.1.19376.1.5.3.1.3.16.1']]/entry/observation[templateId[@root="1.3.6.1.4.1.19376.1.5.3.1.4.13.4"]]/value
- 1720
- Using numbers and units to reflect times/day
    - Where .../code[@code='77238-4'] Frequency of Screen-Time (video games and computer games) Weekends, LOINC
  - And presenting the question to the user consistent with defined clinical, surveillance and research questions (Screen Time): ‘
- 1725 On a typical weekend D in the past W, how much time did the patient spend playing video games and computer games

### 6.3.1.D1.5.2.6 Sleep

- 1730 Within the Coded Social History section the Form Receiver CDA Exporter or Content Creator SHOULD be able to create a Social History Observation (templateID 1.3.6.1.4.1.19376.1.5.3.1.4.13.4 [PCC TF-2])

reflecting the *Bedtime*

- encoding the value in
- 1735 ClinicalDocument/component/structuredBody/component/section[templateId[@root='1.3.6.1.4.1.19376.1.5.3.1.3.16.1']]/entry/observation[templateId[@root="1.3.6.1.4.1.19376.1.5.3.1.4.13.4"]]/value
- Indicating the Bed-time using military time
    - where .../code[@code='65551-4'] (At what time do you usually go to bed), LOINC

1740

reflecting the *Hours of Sleep* per night in

- encoding the value in  
ClinicalDocument/component/structuredBody/component/section[templateId[@root='1.3.6.1.4.1.19376.1.5.3.1.3.16.1']]/entry/observation[templateId[@root="1.3.6.1.4.1.19376.1.5.3.1.4.13.4"]]/value
- 1745

- Indicating the number of hours using numeric values
  - Where .../code[@code='65968-0'] (How many Hrs do you normally sleep), LOINC

### 6.3.1.D1.5.2.7 Readiness for Change

1750 Within the Coded Social History section the Form Receiver CDA Exporter or Content Creator MAY be able to create a Social History Observation (templateID 1.3.6.1.4.1.19376.1.5.3.1.4.13.4 [PCC TF-2])

reflecting the *Readiness to change* in

- encoding the value in  
1755 ClinicalDocument/component/structuredBody/component/section[templateId[@root='1.3.6.1.4.1.19376.1.5.3.1.3.16.1']]/entry/observation[templateId[@root="1.3.6.1.4.1.19376.1.5.3.1.4.13.4"]]/value as a range from 1-10 with 1 representing no evidence of the characteristics described, and 10 representing an exceptional reflection of those characteristics
- where .../code[@code='77245-9'] Readiness for improved nutrition Readiness for change for improved nutrition, LOINC.  
1760  
OR
- where .../code[@code='77246-7'] Readiness for change for improved sleep patterns, LOINC  
1765  
OR
- where .../code[@code='77247-5'] Readiness for change for improved exercise, LOINC.  
OR
- where .../code[@code='77248-3'] Readiness for change for improved screen-time, LOINC.  
1770

### 6.3.1.D1.5.2.8 Pregnancy Status

1775 Within the Coded Social History section the Form Receiver CDA Exporter or Content Creator SHOULD be able to create a Social History Observation (templateID 1.3.6.1.4.1.19376.1.5.3.1.4.13.4 [PCC TF-2])

reflecting the *Pregnancy Status* by encoding the value in

- encoding the value in  
ClinicalDocument/recordTarget/component/structuredBody/component/section[templateI

- 1780 d[@root='1.3.6.1.4.1.19376.1.5.3.1.1.5.3.4']/entry/observation[templateId[@root='1.3.6.1.4.1.19376.1.5.3.1.4.13.5']]/value
- using the value set Pregnant 1.3.6.1.4.1.19376.1.7.3.1.1.13.8.95
    - Where .../code[@code='11449-6'] Pregnancy Status, LOINC

### 6.3.1.D1.5.3 Payers Section Vocabulary Constraints

1785 Within the Payers section the Form Receiver CDA Exporter or Content Creator MAY be able to create:  
a **Coverage** entry (templateID 1.3.6.1.4.1.19376.1.5.3.1.4.17 [PCC TF-2]) for each of the healthy weight relevant payers

- encoding the value in
- 1790 • encoding the value inClinicalDocument/component/structuredBody/component/section[templateId[@root='1.3.6.1.4.1.19376.1.5.3.1.1.5.3.7']/component/section[templateId[@root='1.3.6.1.4.1.19376.1.5.3.1.4.17']/entry/act/entryRelationship/act/code,
  - Using the value set *Source of Payer Typology* (2.16.840.1.114222.4.11.3591)

- 1795 identifying the *insurance company name* in
- encoding the value in ClinicalDocument/component/structuredBody/component/section[templateId[@root='1.3.6.1.4.1.19376.1.5.3.1.1.5.3.7']/component/section[templateId[@root='1.3.6.1.4.1.19376.1.5.3.1.4.17']/entry/act /participant typeCode='HLD'/playingEntity/name
- 1800

### 6.3.1.D1.5.4 Coded Vital Signs Section Vocabulary Constraints

1805 Within the Coded Vital Signs section the Form Receiver CDA Exporter or Content Creator SHALL be able to create a Vital Signs Organizer entry (templateID 1.3.6.1.4.1.19376.1.5.3.1.4.13.1 [PCC TF-2])

for **Height**, which SHALL be included

- encoding the measurement date in ClinicalDocument/component/structuredBody/component/section[templateId[@root=1.3.6.1.4.1.19376.1.5.3.1.1.5.3.2]]/entry/organizer/component /observation/effectiveTime
- 1810 • encoding the value in ClinicalDocument/component/structuredBody/component/section[templateId[@root=1.3.6.1.4.1.19376.1.5.3.1.1.5.3.2]]/entry/organizer/component /observation/value

- For height measurement, this field shall be valued using UCUM codes to indicate inches ('[in\_us]' or '[in\_uk]'); or centimeters ('cm') and/or meters ('m').
  - 1815 ○ Where for standing heights that are measured, .../code[@code='3137-7'] Body height measured, LOINC [preferred]  
OR
  - Where for standing or recumbent heights that are self-reported, .../code[@code='3138-5'] Body height stated, LOINC
  - 1820 OR
  - Where for recumbent heights that are measured .../code[@code='8306-3'] Body height^lying, LOINC

For *Weight*, which SHALL be included

- 1825 • encoding the measurement date in  
ClinicalDocument/  
component/structuredBody/component/section[templateId[@root=1.3.6.1.4.1.19376.1.5.3.1.1.5.3.2]]/entry/organizer/component /observation/effectiveTime
- encoding the value in
- 1830 ClinicalDocument/  
component/structuredBody/component/section[templateId[@root=1.3.6.1.4.1.19376.1.5.3.1.1.5.3.2]]/entry/organizer/component /observation//value
- For weight measurement, this field shall be valued using UCUM codes to indicate pounds ('[lb\_av]') and/or ounces ('[oz\_av]'); or kilograms ('kg') and/or grams ('g').
  - 1835 ○ Where .../code[@code='3141-9'] Body weight Measured, LOINC [Preferred]  
OR
  - for weights that are self-reported 3142-7 Body Weight Reported, LOINC  
OR if measured with clothes where clothing not specified
  - Where .../code[@code='8350-1'] Body weight^with clothes, LOINC
  - 1840 Or if measured with clothes where clothing is specified
  - Where .../code[@code='8352-7'] Clothing worn during measure Body weight^with clothes, LOINC
    - AND .../methodCode[@code='LA11871-3'], Underwear or less, LOINC

- 1845
- AND ../methodCode[@code= 'LA11872-1'], Street clothes, no shoes, LOINC
  - AND ../methodCode[@code= 'LA11873-9'], Street clothes & shoes, LOINC

1850 Or if measured without clothes

- Where ../code[@code='8351-9'] Body weight^without clothes, LOINC

Or if measurement method not documented,

- Where ../code[@code='29463-7'] Body weight

For **Body Mass Index**, which SHOULD be included

- 1855
- encoding the value in ClinicalDocument/component/structuredBody/component/section[templateId[@root=1.3.6.1.4.1.19376.1.5.3.1.1.5.3.2]]/component/section[templateId[@root=1.3.6.1.4.1.19376.1.5.3.1.4.13.1]]/entry/act/entryRelationship/observation/value

- 1860
- For Body Mass Index measurement, this field shall be valued using UCUM codes to indicate kg/m<sup>2</sup>.

- Where ../code[@code='39156-5' ] for Body Mass Index, LOINC

For **Waist Circumference**, which SHOULD be included

- encoding the value in

- 1865
- ClinicalDocument/component/structuredBody/component/section[templateId[@root=1.3.6.1.4.1.19376.1.5.3.1.1.5.3.2]]/component/section[templateId[@root=1.3.6.1.4.1.19376.1.5.3.1.4.13.1]]/entry/act/entryRelationship/observation/value

- 1870
- For waist circumference measurement, this field shall be valued using UCUM codes to indicate inches ('[in\_us]' or '[in\_uk]'), or centimeters ('cm').

- Where ../code[@code='56114-2' ] for Waist Circumference by NHANES, LOINC

For **Blood Pressure** which SHOULD be included

- 1875
- encoding the value in ClinicalDocument/component/structuredBody/component/section[templateId[@root=1.3.6.1.4.1.19376.1.5.

- 3.1.1.5.3.2]]/component/section[templateId[@root=1.3.6.1.4.1.19376.1.5.3.1.4.13.1]]/entry/act/entryRelationship/observation/value
- 1880
- For blood pressure measurement, this field shall be valued using UCUM codes to indicate millimeter mercury ('mm[Hg]').
    - Where .../code[@code='8480-6'] For Systolic blood pressure, LOINC
    - Where .../code[@code='8462-4'] For Diastolic blood pressure, LOINC
- 1885 For **Heart Rate/Pulse** which SHOULD be included
- encoding the value in  
ClinicalDocument/  
component/structuredBody/component/section[templateId[@root=1.3.6.1.4.1.19376.1.5.3.1.1.5.3.2]]/component/section[templateId[@root=1.3.6.1.4.1.19376.1.5.3.1.4.13.1]]/entry/act/entryRelationship/observation/value
- 1890
- For Heart Rate/Pulse measurement, this field shall be valued using UCUM codes to indicate heartbeats per minute ('{H.B.}/min').
    - Where .../code[@code= 8867-4] For Heart rate Encounter maximum, LOINC
- 1895 For **Skin Fold Thickness** which MAY be included
- encoding the value in  
ClinicalDocument/  
component/structuredBody/component/section[templateId[@root=1.3.6.1.4.1.19376.1.5.3.1.1.5.3.2]]/component/section[templateId[@root=1.3.6.1.4.1.19376.1.5.3.1.4.13.1]]/entry/act/entryRelationship/observation/value
- 1900
- For Skin Fold Thickness measurement, this field shall be valued using UCUM codes to indicate inches (('in\_us' or 'in\_uk') or centimeters ([cm])) based upon jurisdiction.
    - Where .../code[@code= '8355-0'] Skin fold thickness Waist, LOINC
    - Where .../code[@code= '8354-3'], Skin fold thickness Triceps, LOINC
    - Where .../code[@code= '8353-5'], Skin fold thickness Thigh, LOINC
- 1905

For **Bioimpedance Percentage of Body Fat** which MAY be included

- encoding the value in  
ClinicalDocument/  
component/structuredBody/component/section[templateId[@root=1.3.6.1.4.1.19376.1.5.
- 1910

3.1.1.5.3.2]]/component/section[templateId[@root=1.3.6.1.4.1.19376.1.5.3.1.4.13.1]]/entry/act/entryRelationship/observation/value

- For Bioimpedence Percentage of Body Fat measurement, this field shall be valued using UCUM codes to percentage ([%]).

- 1915
- Where ../code[@code= '77233-5 '] Body fat percentage ^ bioimpedence device), LOINC

### 6.3.1.D1.5.5 Active Problems Section Vocabulary Constraints

1920 Active problems are valuable for tracking weight associated conditions, and other problems that are of interest for varying reasons. This is also an essential location of noting that the mother is breastfeeding for medication consideration. There is no further classification of these concepts as these conditions may be tracked for multiple purposes.

Within the Active Problems section the Form Receiver CDA Exporter or Content Creator SHALL be able to create a Problem Concern entry (templateID 1.3.6.1.4.1.19376.1.5.3.1.4.5.2 [PCC TF-2]) for each of the healthy weight relevant observations

- 1925
- encoding the value in Active Problems

ClinicalDocument/  
component/structuredBody/component/section[templateId[@root=1.3.6.1.4.1.19376.1.5.3.1.3.6]]/entry/act/entryRelationship/observation/value

- Using the value sets
- 1930
- *Mother Breastfeeding* 1.3.6.1.4.1.19376.1.7.3.1.1.23.8.14
  - *Weight Associated Conditions* 1.3.6.1.4.1.19376.1.7.3.1.1.23.8.19
- Other problems that are part of continuity of care SHOULD be included to inform general continuity of care purposes.

### 6.3.1.D1.5.6 Procedures and Interventions Section Vocabulary Constraints

1935 Within the Procedures and Interventions section the Form Receiver CDA Exporter or Content Creator SHALL be able to create a Procedures entry (templateID 1.3.6.1.4.1.19376.1.5.3.1.4.19 [PCC TF-2]) for each of the healthy weight relevant procedures

- encoding the value in Procedures

1940 ClinicalDocument/  
component/structuredBody/component/section[templateId[@root=1.3.6.1.4.1.19376.1.5.3.1.1.21.2.3]]/component/section[templateId[@root=1.3.6.1.4.1.19376.1.5.3.1.1.13.2.11]]/entry/procedure/code

- Using the value sets
- *HW Interventions* 1.3.6.1.4.1.19376.1.7.3.1.1.23.8.7

1945 **6.3.1.D1.5.7 Coded Family Medical History Section Vocabulary Constraints**

Within the Procedures and Interventions section the Form Receiver CDA Exporter or Content Creator SHOULD be able to create a Family History Organizer entry (templateID 1.3.6.1.4.1.19376.1.5.3.1.4.15 [PCC TF-2]) with a Family History Observation entry (templateID 1.3.6.1.4.1.19376.1.5.3.1.4.13.3 [PCC TF-2]) for each of the healthy weight relevant Family Medical History considerations

- encoding the value in

ClinicalDocument/

component/structuredBody/component/section[templateId[@root=1.3.6.1.4.1.19376.1.5.3.1.4.13.3]]/component/section[templateId[@root=1.3.6.1.4.1.19376.1.5.3.1.4.15]]/component/section [templateId[@root=1.3.6.1.4.1.19376.1.5.3.1.4.15]]/observation/value

- Using the value sets
  - *HW Influencing Family History* 1.3.6.1.4.1.19376.1.7.3.1.1.23.8.13
- Other Family History that are part of continuity of care SHOULD be included to inform general continuity of care purposes.

1960 **6.3.1.D1.5.8 Coded Results Section Vocabulary Constraints**

Within the Coded Results section the Form Receiver CDA Exporter or Content Creator SHOULD be able to create a Simple Observation (templateID 1.3.6.1.4.1.19376.1.5.3.1.4.13 [PCC TF-2]) with a for each of the healthy weight relevant Laboratory Results

- encoding the value in

ClinicalDocument/

component/structuredBody/component/section[templateId[@root=1.3.6.1.4.1.19376.1.5.3.1.4.13.3]]/component/section[templateId[@root=1.3.6.1.4.1.19376.1.5.3.1.4.15]]/component/section [templateId[@root=1.3.6.1.4.1.19376.1.5.3.1.4.15]]/observation/value

- Where .../code is one of laboratory results from the following value set where known

○ *HW Laboratory Results* 1.3.6.1.4.1.19376.1.7.3.1.1.23.8.17

Other laboratory results that are part of continuity of care SHOULD be included to inform general continuity of care purposes.

**6.3.1.D1.6 HW Conformance and Example**

CDA Release 2.0 documents that conform to the requirements of this document content module shall indicate their conformance by the inclusion of the 1.3.6.1.4.1.19376.1.7.3.1.1.24.1 XML elements in the header of the document.

A CDA Document may conform to more than one template. This content module inherits from the *PCC Medical Document template (OID = 1.3.6.1.4.1.19376.1.5.3.1.1.1)* and so must



1980 conform to the requirements of those templates as well this document specification, Health Weight Summary (HWS) 1.3.6.1.4.1.19376.1.7.3.1.1.24.1

A complete example of the Health Weight Summary (HWS) Document Content Module is available on the IHE ftp server at:

ftp://ftp.ihe.net/TF\_Implementation\_Material/QRPH/Healthy%20Weight/

1985 Note that this is an example and is meant to be informative and not normative. This example shows the 1.3.6.1.4.1.19376.1.7.3.1.1.24.1 elements for all of the specified templates.

*Add to Section 6.3.1.D Document Content Modules*

### **6.3.1.D2 Medical Summary for Healthy Weight (MS-HW) Pre-Pop Document Content Module**

1990 The Medical Summary for Healthy Weight (MS-HW) document constrains the PCC Medical Summary (MS) to maximize the pre-population ability for Healthy Weight feeds to the Healthy Weight Information System using this profile

#### **6.3.1.D2.1 Format Code**

The XDSDocumentEntry format code for this content is urn:ihe:qrph:hw:2013

#### **6.3.1.D2.2 Parent Template**

1995 This document is a specialization of the PCC Medical Summary (MS) Document (MS: 1.3.6.1.4.1.19376.1.5.3.1.1.2).

#### **6.3.1.D2.3 Referenced Standards**

All standards which are referenced in this document are listed below with their common abbreviation, full title, and link to the standard.

2000

**Table 6.3.1.D2.3-1: Medical Summary for Healthy Weight (MS-HW) Document - Referenced Standards**

Abbreviation	Title	URL
CDAR2	<a href="http://www.hl7.org/Library/General/HL7_CD_A_R2_final.zip">HL7 CDA Release 2.0</a>	http://www.hl7.org/Library/General/HL7_CD_A_R2_final.zip

#### **6.3.1.D2.4 Data Element Requirement Mappings to CDA**

2005 This section identifies the mapping of data between referenced standards into the CDA implementation guide.

**Table 6.3.1.D2.4-1: Data Elements**

<b>Element</b>	<b>Description</b>
Phone Number – Home	Phone Number – Home Included for patient matching
Religious Affiliation	Optional Religious Affiliation to support diet impact on weight
Mother’s Maiden Name	Mother’s Maiden Name included for pediatric patient matching
Patient Identifier List	Patient Identifier List Included for pediatric patient matching
Patient Multiple Birth Indicator	Patient Multiple Birth Indicator Included for pediatric patient matching
Patient Birth Order	Patient Birth Order Included for pediatric patient matching
Patient Account Number	Patient Account Number Included for patient matching
Date/Time of Birth	Patient’s date and time of birth
Language	Languages Spoken
Administrative Sex	Patient’s sex.
Race	Race(s) that best describes what the patient considers himself/herself to be
Ethnic Group	Patient’s ethnicity
Address (may be used to support Geographic grouping purposes)	Patient’s address (e.g., Country, State, City, Street, Zip Code)
Education Level	Highest Level of Education Received by patient
Household Income	Income level of the household where the patient resides
Pertinent Insurance Information	Patient’s Insurance details insurance type
	Patient’s Insurance details insurance company
Setting	Settings of daily activities that impact the patient. These may include: School information: Information about the school, education setting, and school-related behaviors (e.g., school name, special education, truancy, etc.) Workplace: programs, location, environment
Height	Patient Height
Weight	Patient Weight
Behavior Assessment	Patient reported current weight related behaviors. The way in which a person responds to a specific set of conditions. In the context of healthy weight, this includes an individual’s characteristics that impact weight management. For example: Dietary Behaviors Physical Activity and Sedentary Behaviors (e.g., Screen time e.g., TV/video/computer (minutes/day), exercise (minutes/day)) Sleep-related Behaviors Assessment of readiness to change one weight-related behavior
Weight Associated Conditions	Conditions that are associated with obesity that may be excluded or adjusted for in the calculation of BMI (e.g., pregnancy, prematurity, amputation), may influence weight or height (e.g., Prader Willi, acondroplasia), and/or are a result of increased BMI (e.g., hypertension, hypercholesterolemia), or are a combination of the above (e.g., diabetes).
Procedures and Interventions	History of Interventions including: <ul style="list-style-type: none"> <li>Referral (e.g., weight management program, dietitian, physical activity specialists)</li> <li>In-Office Education (e.g., nutrition counseling, physical activity counseling, community resources)</li> </ul>

Element	Description
	<ul style="list-style-type: none"> <li>Surgical Interventions</li> </ul>
Medications	New prescriptions Current Medications including, but not limited to Weight Influencing Medications and Weight Management Medications (value set not specified)
Family History	Family History of conditions that may impact the patient Healthy Weight (e.g., Parental Obesity, CVD, HTN, Dyslipidemia, NIDDM, Insulin Resistance)
Resources to support goals	<p>After identifying goals, barriers, and supports, patients and families must identify actionable strategies to achieve their goals. For example:                      One key strategy is that primary care teams identify and link patients to resources in the community that can support                      Improving diet ("Referral to dietitian, In-Office Education, Referral to weight management program", etc.) physical activity (YMCA, dance programs, parks and recreational areas, trainers/coaches, etc.)</p> <p>Documentation of barriers and supports to attaining selected goals, may be selected from structured lists or selected in an open-ended manner. The EHR may capture and store a tailored set of resources within the clinical care system and the community where the patient resides.</p>
Goals	<p>Prevention and treatment of obesity requires the adoption of healthy behaviors. Best available evidence has shown that goal setting by patients and where applicable, parents in collaboration with a primary care team, when coupled with appropriate messaging and planning to achieve those goals, can lead to long-term behavior change and prevention and reduction of obesity. The HER can support goal setting by enabling families and primary care teams to select one or more goals from a set of potential behaviors in need of change, for example:</p> <ul style="list-style-type: none"> <li>reducing intake of sugary beverages</li> <li>increasing physical activity</li> <li>obtaining sufficient sleep</li> </ul> <p>Goal selection may be selected from structured lists or selected in an open-ended manner. These goals can then be linked with a tailored set of activities and resources.</p>

2010 **6.3.1.D2.5 Medical Summary for Healthy Weight Pre-Pop (MS-HW) Content Module Specification**

This section specifies the header, section, and entry content modules which comprise the Medical Summary for Healthy Weight Pre-Pop (MS-HW) Content Module, using the Template ID as the key identifier.

2015 Sections that are used according to the definitions in other specifications are identified with the relevant specification document. Additional constraints on vocabulary value sets, not specifically constrained within the section template, are also identified.

These are the only sections that are to be constrained. Other sections in the summary document have no further constraints. There are additional summary document sections that are not further specified that SHALL be constructed according to the summary specification.

2020 **Table 6.3.1.D2.5-1: Medical Summary for Healthy Weight Pre-Pop (MS-HW) Document Section Specification**

Template Title	Opt and Card	Condition	Template Type	templateId	Constraints
Personal Information: name	R[1..1]		Header	1.3.6.1.4.1.19376.1.5.3.1.1.1	
Personal Information: birthtime	R[1..1]		Header	1.3.6.1.4.1.19376.1.5.3.1.1.1	
Personal Information: addr	R2[0..1]		Header	1.3.6.1.4.1.19376.1.5.3.1.1.1	
Personal Information: ethnicity	R2[0..1]		Header	1.3.6.1.4.1.19376.1.5.3.1.1.1	6.3.2.H.1
Personal Information: race	R2[0..1]		Header	1.3.6.1.4.1.19376.1.5.3.1.1.1	6.3.2.H.2
Personal Information: gender	R[1..1]		Header	1.3.6.1.4.1.19376.1.5.3.1.1.1	6.3.2.H.3
Personal Information: Mother's Maiden Name	O[0..1]		Header	See Open Issues	
Personal Information: Phone Number – Home	O[0..1]		Header	1.3.6.1.4.1.19376.1.5.3.1.1.1	
Personal Information: Religious	O[0..1]		Header	1.3.6.1.4.1.19376.1.5.3.1.1.1	
Personal Information: Patient Identifier List	O[0..1]		Header	1.3.6.1.4.1.19376.1.5.3.1.1.1	
Personal Information: Patient Home Telephone	O[0..1]		Header	1.3.6.1.4.1.19376.1.5.3.1.1.1	
Personal Information: Patient Multiple Birth Indicator	O[0..1]		Header	1.3.6.1.4.1.19376.1.5.3.1.1.1	
Personal Information: Patient Birth Order	O[0..1]		Header	1.3.6.1.4.1.19376.1.5.3.1.1.1	
Personal Information: Patient Account Number	O[0..1]		Header	1.3.6.1.4.1.19376.1.5.3.1.1.1	
Languages Communication	O[0..1]		Header	1.3.6.1.4.1.19376.1.5.3.1.2.1	6.3.2.H.3
Employer and School Contacts	O[0..1]		Header	1.3.6.1.4.1.19376.1.5.3.1.2.2	
Healthcare Providers and Pharmacies	O[0..1]		Header	1.3.6.1.4.1.19376.1.5.3.1.2.3	
Patient Contacts	O[0..1]		Header	1.3.6.1.4.1.19376.1.5.3.1.2.4	
Payers Section	O[0..1]		Section	1.3.6.1.4.1.19376.1.5.3.1.1.5.3.7	QRPH TF-3: 6.3.1.D.5.3

Template Title	Opt and Card	Condition	Template Type	templateId	Constraints
Medications Section	R2[0..1]		Section	1.3.6.1.4.1.19376.1.5.3.1.3.19	QRPH TF-3:6.3.1.D.5.1
Coded Social History Section	R2[0..*]		Section	1.3.6.1.4.1.19376.1.5.3.1.3.16.1	QRPH TF-3:6.3.1.D.5.2
<ul style="list-style-type: none"> <li>Occupational Data for Health Section</li> </ul>	O[0..*]		Section	1.3.6.1.4.1.19376.1.5.3.1.3.37	PCC TF 3: 6.3.3.2.5
Coded Vital Signs Section	R[1..*]		Section	1.3.6.1.4.1.19376.1.5.3.1.1.5.3.2	QRPH TF-3:6.3.1.D.5.4
Active Problem Section	R[1..1]		Section	1.3.6.1.4.1.19376.1.5.3.1.3.6	QRPH TF-3:6.3.1.D.5.5
Procedures and Interventions	O[0..1]		Section	1.3.6.1.4.1.19376.1.5.3.1.1.13.2.11	QRPH TF-3:6.3.1.D.5.6
Coded Family History Section	O[0..1]		Section	1.3.6.1.4.1.19376.1.5.3.1.3.15	QRPH TF-3:6.3.1.D.5.7
Healthy Weight Care Plan	O[0..1]		Section	1.3.6.1.4.1.19376.1.7.3.1.3.24.2	QRPH TF-3 6.3.3.2
Resources to Support Goals	O[0..1]		Section	1.3.6.1.4.1.19376.1.7.3.1.3.24.1	QRPH TF-3 6.3.3.1
Coded Results Section Labs	O[0..1]		Section	1.3.6.1.4.1.19376.1.5.3.1.3.28	QRPH TF-3:6.3.1.D.5.8

### 6.3.1.D2.6 MS-HW Conformance and Example

2025 CDA Release 2.0 documents that conform to the requirements of this document content module shall indicate their conformance by the inclusion of the 1.3.6.1.4.1.19376.1.7.3.1.1.24.2 XML elements in the header of the document.

2030 A CDA Document may conform to more than one template. This content module inherits from the PCC Medical Summary (MS) Document (MS: 1.3.6.1.4.1.19376.1.5.3.1.1.2) and so must conform to the requirements of those templates as well this document specification, Medical Summary for Healthy Weight Pre-Pop (MS-HW) 1.3.6.1.4.1.19376.1.7.3.1.1.24.2.

A complete example of the Medical Summary for HW (MS-HW) Document Content Module is available on the IHE ftp server at: <indicate location here>.

Note that this is an example and is meant to be informative and not normative. This example shows the 1.3.6.1.4.1.19376.1.7.3.1.1.24.2 elements for all of the specified templates.

2035

*Add to Section 6.3.2 Header Content Modules*

### **6.3.2 CDA Header Content Modules**

#### **Person Information**

2040 Demographics associated with the person that pertains to the jurisdiction healthy weight guidelines. The demographics for HW SHALL contain those required for support of pediatrics and are detailed below. This is covered in the CDA Header and does not require a separate content module.

#### **6.3.2.H Healthy Weight (HWS and MS-HW) Header Content Module**

2045 No new Header Elements are added in this supplement. Header constraints for the HWS and MS-HW document SHALL conform to header constraints defined by the Medical Documents Specification parent template (1.3.6.1.4.1.19376.1.5.3.1.1.1).

##### **6.3.2.H.1 Personal Information: ethnicity Vocabulary Constraint**

The value for ethnicity/ code SHALL be drawn from value set 2.16.840.1.114222.4.11.6066 PHVS\_EthnicGroup\_HL7\_2x.

##### **6.3.2.H.2 Personal Information: race Vocabulary Constraint**

2050 The value for race/ code SHALL be drawn from value set 2.16.840.1.114222.4.11.6066 PHVS\_Race\_HL7\_2x.

##### **6.3.2.H.3 Personal Information: gender Vocabulary Constraint**

2055 The value for gender/ code SHALL be drawn from value set 2.16.840.1.113883.1.11.1 PHVS\_AdministrativeGender\_HL7\_V3.

##### **6.3.2.H.4 Personal Information: gender Vocabulary Constraint**

The value for language/ code SHALL be drawn from value set 2.16.840.1.114222.4.11.831 PHVS\_Language\_ISO\_639-2\_Alpha3.

2060 **6.3.3 CDA Section Content Modules**

*Add to Section 6.3.3.10 Section Content Modules*

2065 The definitions of the following section content modules can be found in the PCC CDA Content Modules supplement at [http://ihe.net/Technical\\_Frameworks/#pcc](http://ihe.net/Technical_Frameworks/#pcc).

**6.3.3.10.3 Resources to Support Goals Section 1.3.6.1.4.1.19376.1.7.3.1.3.24.1**

**6.3.3.10.4 Healthy Weight Care Plan Section 1.3.6.1.4.1.19376.1.7.3.1.3.24.2**

**6.3.3.10.5 Occupational Data for Health Section 1.3.6.1.4.1.19376.1.5.3.1.3.37**

**Table 6.3.3.10.5-1: Occupational Data for Health Section**

<b>Template Name</b>		Occupational Data for Health			
<b>Template ID</b>		1.3.6.1.4.1.19376.1.5.3.1.3.37			
<b>Parent Template</b>					
<b>General Description</b>		<p>The Occupational Data for Health section shall contain a narrative description of the person’s employment status and usual occupation, as well as the person’s history of employment. Employment information includes occupation and industry and may include the employer’s name and the location where work was performed.</p> <p>When represented in a document containing a Social History section, the Occupational Data for Health section shall be encoded as a sub-section of the Social History section.</p>			
<b>Section Code</b>		<74166-0, LOINC, “Occupational Data for Health”>			
<b>Author</b>		If not the author from the encompassing context, include author. Role and entity must be specified if not inherited.			
<b>Informant</b>		If not the informant from the encompassing context, include informant. Role and entity must be specified if not inherited.			
<b>Subject</b>		If not the subject from the encompassing context, include subject. Role and entity must be specified if not inherited.			
<b>Opt and Card</b>	<b>Condition</b>	<b>Data Element or Section Name</b>	<b>Template ID</b>	<b>Specification Document</b>	<b>Vocabulary Constraint</b>
<b>Entries</b>					
R2 [0..*]		Employment Status Observation	1.3.6.1.4.1.19376.1.7.3.1.4.24.1	CDA Content Module: 6.3.4.64	
R2 [0..*]		Usual Occupation Observation	1.3.6.1.4.1.19376.1.7.3.1.4.24.8	CDA Content Module: 6.3.4.69	
R2 [0..*]		Usual Industry Observation	1.3.6.1.4.1.19376.1.7.3.1.4.24.9	CDA Content Module: 6.3.4.70	

2070 **6.3.3.10.5.1 Occupational Data for Health Section < 74166-0>**

[section: templateId 1.3.6.1.4.1.19376.1.5.3.1.3.37 (open)]

2075 The Occupational Data for Health section describes all aspects of the employment history. It may contain the current employment status, the usual occupation (longest held occupation) which may include the present duration for that job, or the employment history which may include the employer and places where the work was performed.

1. **SHALL** contain exactly one [1..1] **templateId** such that it
  - a. **SHALL** contain exactly one [1..1]  
**@root="1.3.6.1.4.1.19376.1.5.3.1.3.37"**.
- 2080 2. **SHALL** contain exactly one [1..1] **code/@code="74166-0" Occupational Data** (CodeSystem: LOINC 2.16.840.1.113883.6.1).
3. **SHALL** contain exactly one [1..1] **title**.
4. **SHALL** contain exactly one [1..1] **text**.
- 2085 5. **5. SHOULD** contain zero or one [0..\*] Employment Status Observation **entry SHOULD** contain zero or one [0..1] Usual Occupation Observation **entry**
6. **SHOULD** contain zero or one [0..1] Usual Industry Observation **entry**



2090

2095

2100

2105

2110

2115

```

<section>
...
<!-- Sub section for Occupational Data For Health -->
<component>
  <section>
    <templateId root="2.16.840.1.113883.10.20.22.2.17"/>
    <!-- ODH SECTION TEMPLATE ID-->
    <templateId root="1.3.6.1.4.1.19376.1.5.3.1.3.37"/>
    <code code="74166-0" codeSystem="2.16.840.1.113883.6.1"
codeSystemVersion="0" codeSystemName="LOINC" displayName="Occupational
Data for Health"/>
    <text>...</text>
    <entry>
      :
      <!-- EMPLOYMENT STATUS OBSERVATION ENTRY TEMPLATE ID-->
      <templateId root="1.3.6.1.4.1.19376.1.7.3.1.4.24.1"/>
      :
      <!-- USUAL OCCUPATION OBSERVATION ENTRY TEMPLATE ID-->
      <templateId root="1.3.6.1.4.1.19376.1.7.3.1.4.24.8"/>
      :
      <!-- USUAL INDUSTRY OBSERVATION ENTRY TEMPLATE ID-->
      <templateId root="1.3.6.1.4.1.19376.1.7.3.1.4.24.9"/>
    </entry>
  </section>
</component>
...
</section>

```

Figure 6.3.3.10.5-1: Occupational Data for Health Section example

### 6.3.4 CDA Entry Content Modules

2120

Modify the table in Section 6.3.4.22.3 `<code code=' ' codeSystem='2.16.840.1.113883.6.1' codeSystemName='LOINC'/>` to add the items listed as **Bold/Underline** below

LOINC	Description	Units	Type
9279-1	RESPIRATION RATE	/min	PQ
8867-4	HEART BEAT		
2710-2	OXYGEN SATURATION	%	
8480-6	INTRAVASCULAR SYSTOLIC	mm[Hg]	
8462-4	INTRAVASCULAR DIASTOLIC		
8310-5	BODY TEMPERATURE	Cel or [degF]	
8302-2	BODY HEIGHT (MEASURED)	m, cm,[in_us] or [in_uk]	
<b><u>3137-7</u></b>	<b><u>BODY HEIGHT MEASURED</u></b>		

LOINC	Description	Units	Type
<u>3138-5</u>	<u>BODY HEIGHT STATED</u>		
<u>3142-7</u>	<u>BODY WEIGHT REPORTED</u>		
8306-3	BODY HEIGHT^LYING		
8287-5	CIRCUMFERENCE.OCCIPITAL-FRONTAL (TAPE MEASURE)		
3141-9	BODY WEIGHT (MEASURED)	kg, g, [lb_av] or [oz_av]	
<u>3141-9</u>	<u>BODY WEIGHT MEASURED</u>		
<u>8350-1</u>	<u>BODY WEIGHT^ WITH CLOTHES</u>		
<u>8352-7</u>	<u>CLOTHING WORN DURING MEASURE BODY WEIGHT^WITH CLOTHES</u>		
<u>8351-9</u>	<u>BODY WEIGHT^WITHOUT CLOTHES</u>		
<u>29463-7</u>	<u>BODY WEIGHT</u>		
<u>39156-5</u>	<u>BODY MASS INDEX</u>	kg/m <sup>2</sup>	
<u>56114-2</u>	<u>WAIST CIRCUMFERENCE BY NHANES</u>	[in_i] or centimeters	
<u>8355-0</u>	<u>SKIN FOLD THICKNESS WAIST</u>	[cm]	
<u>8354-3</u>	<u>SKIN FOLD THICKNESS TRICEPS</u>		
<u>8353-5</u>	<u>SKIN FOLD THICKNESS THIGH</u>		
<u>77233-5</u>	<u>BODY FAT PERCENTAGE ^ BIOIMPEDECE DEVICE</u>	%	

2125 Add to Section 6.3.4 Entry Content Modules

The definitions of the following entry content modules can be found in the PCC CDA Content Modules supplement at [http://ihe.net/Technical\\_Frameworks/#pcc](http://ihe.net/Technical_Frameworks/#pcc).

2130 **6.3.4.64 Employment Status Observation Entry**

**Table 6.3.4.64-1: Employment Status Observation Entry 1.3.6.1.4.1.19376.1.7.3.1.4.24.1**

<b>Template Name</b>	Employment Status Observation Entry
<b>Template ID</b>	1.3.6.1.4.1.19376.1.7.3.1.4.24.1
<b>Parent Template</b>	
<b>General Description</b>	An employment status observation entry is a clinical statement about a person's state of being employed at the point in time the statement is recorded. Awareness of the subject's Employment Status can assist in understanding the subject's resources, access to benefits, and demands at home and work. If the subject is working (regardless of pay), information about their current job is collected in the nested Past or Present Occupation Observation. Information about volunteer work and past jobs can be collected in the Past or Present Occupation Observation regardless of current employment status, i.e., even if the subject is

Class/Mood		Code	Data Type	Value	
ClassCode="OBS" MoodCode="EVN"		Code = 74165-2 Display Name = History of Employment Status CodeSystem = 2.16.840.1.113883.6.1 CodeSystemName=LOINC	Observation	Value xsi:type = "CD" from concept domain CD_EmploymentStatus defined in Table 6.6-1	
Opt and Card	entryRelationship	Description	Template ID	Specification Document	Vocabulary Constraint

[observation: templateId 1.3.6.1.4.1.19376.1.7.3.1.4.24.1 (open)]

2135 An Employment Status Entry is a clinical statement about the subject’s state of being employed at the point in time the statement is recorded. Awareness of the subject’s Employment Status can assist in understanding the subject’s resources, access to benefits, and demands at home and work. If the subject is working (regardless of pay), information about their current job is collected in the nested Past or Present Occupation Observation. Information about volunteer work and past jobs can be collected in the Past or Present Occupation Observation regardless of current employment status, i.e., even if the subject is not employed at the time.

- 2145 1. **SHALL** contain exactly one [1..1] @classCode="OBS" (CodeSystem: 2.16.840.1.113883.5.6 HL7ActClass) .
- 2145 2. **SHALL** contain exactly one [1..1] @moodCode="EVN" Event (CodeSystem: ActMood 2.16.840.1.113883.5.1001).
- 2150 3. **SHALL** contain exactly one [1..1] templateId such that it
  - a. **SHALL** contain exactly one [1..1] @root="1.3.6.1.4.1.19376.1.7.3.1.4.24.1".
- 2150 4. **SHALL** contain at least one [1..\*] id.
- 2150 5. **SHALL** contain exactly one [1..1] code.
  - a. **SHALL** be 74165-2 (History of Employment Status) from LOINC (codeSystem 2.16.840.1.113883.6.1).
- 2155 6. **SHALL** contain exactly one [1..1] statusCode="completed" (CodeSystem: ActStatus 2.16.840.1.113883.5.14).
- 2160 7. **SHALL** contain exactly one [1..1] effectiveTime.
  - a. This effectiveTime **SHOULD** contain zero or one [0..1] low.
    - i. If the starting time is unknown, the <low> element **SHALL** have the nullFlavor attribute set to UNK.
    - ii. Note: The effectiveTime/low asserts when the employment status began.

8. **SHALL** contain exactly one [1..1] **value** with @xsi:type="CD"
  - a. This value **SHALL** be selected from Concept Domain CD\_EmploymentStatus
9. **SHALL** contain at least one [1..\*] **author**
  - a. Such authors **SHALL** contain exactly one [1..1] **time**

Note: The author/time asserts when the employment status was authored or last updated in the patient’s chart.
10. **MAY** contain zero or more [0..\*] **entryRelationship** such that it
  - a. **SHALL** contain exactly one [1..1] @typeCode="REFR" (CodeSystem: HL7ActRelationshipType uri:oid:2.16.840.1.113883.5.1002 **STATIC**).
11. **SHALL** contain exactly one [1..1] Past or Present Occupation Observation (1.3.6.1.4.1.19376.1.7.3.1.4.24.2)

2165

2170

**6.3.4.66 Past or Present Occupation Observation Entry**

**Table 6.3.4.66-1: Past or Present Occupation Observation Entry  
1.3.6.1.4.1.19376.1.7.3.1.4.24.2**

2175

<b>Template Name</b>		Past or Present Occupation Observation Entry			
<b>Template ID</b>		1.3.6.1.4.1.19376.1.7.3.1.4.24.2			
<b>Parent Template</b>					
<b>General Description</b>		A Past or Present Occupation Observation entry is a clinical statement about a job or jobs which the subject currently holds or has held in the past. It includes related observations about the occupation (type of work), the type of business (industry) in which that occupation is performed, the job employment type (e.g., self-employed, volunteer), the employer, and the work schedule. The type of work a person performs (occupation) and their industry (type of business in which they work) are critical data elements for patient care, population health, and public health, with the current information being the most important. The combination of occupation and industry serves as a key indicator of the patient’s work environment. The entry is designed to ensure that these data remain associated with one-another in perpetuity, even if multiple jobs are included.			
<b>Class/Mood</b>	<b>Code</b>	<b>Data Type</b>	<b>Value</b>		
ClassCode="OBS" MoodCode="EVN"	Code = 11341-5 Display Name = History of Occupation CodeSystem = 2.16.840.1.113883.6.1 CodeSystemName=LOINC	Observation	Value xsi:type = "CD" from concept domain CD_OccupationCode defined in Table 6.6-1		
<b>Opt and Card</b>	<b>entryRelationship</b>	<b>Description</b>	<b>Template ID</b>	<b>Specificati on Document</b>	<b>Vocabulary Constraint</b>

[observation: templateId 1.3.6.1.4.1.19376.1.7.3.1.4.24.2 (open)]

An Occupation Observation Entry is a clinical statement about a job or jobs which the subject currently holds or has held in the past.

2180

1. **SHALL** contain exactly one [1..1] **@classCode**="OBS" (CodeSystem: 2.16.840.1.113883.5.6 HL7ActClass).
2. **SHALL** contain exactly one [1..1] **@moodCode**="EVN" Event (CodeSystem: ActMood 2.16.840.1.113883.5.1001).

2185

3. **SHALL** contain exactly one [1..1] **templateId** such that it
  - a. **SHALL** contain exactly one [1..1] **@root**="1.3.6.1.4.1.19376.1.7.3.1.4.24.2".
4. **SHALL** contain at least one [1..\*] **id**.
5. **SHALL** contain exactly one [1..1] **code**.

2190

- a. **SHALL** be 11341-5 (History of Occupation) from LOINC (codeSystem 2.16.840.1.113883.6.1).
6. **SHALL** contain exactly one [1..1] **statusCode**="completed" (CodeSystem: ActStatus 2.16.840.1.113883.5.14).
7. **SHALL** contain exactly one [1..1] **effectiveTime**.

2195

- a. This **effectiveTime** **SHOULD** contain exactly zero or one [0..1] **low**.
    - i. If the starting time is unknown, the **<low>** element **SHALL** have the **nullFlavor** attribute set to UNK.  
  
Note: The **effectiveTime/low** asserts when the occupation began.
  - b. This **effectiveTime** **SHALL** contain exactly zero or one [0..1] **high**.
    - i. The ending time **<high>** element **SHALL** not be greater than the time the observation is made.  
  
Note: The **effectiveTime/high** asserts when the occupation ended. If occupation is current, **effectiveTime/high** should be omitted.

2200

8. **SHALL** contain exactly one [1..1] **value** with **@xsi:type**="CD"
  - a. This value **SHALL** be selected from Concept Domain CD\_OccupationCode.

2205

9. **SHALL** contain exactly one [1..1] **participant** such that it
  - a. **SHALL** contain exactly one [1..1] **@typeCode**="IND"
  - b. **SHALL** contain exactly one [1..1] **participantRole**

2210

- i. Which **SHALL** contain exactly one [1..1] **@classCode**="ROL" (CodeSystem: RoleCode 2.16.840.1.113883.5.111 **STATIC**).
  - ii. Which **SHOULD** contain exactly zero or one [0..1] **id**
    1. Such that the **id** **SHALL** reference the **id** of an **AssociatedEntity** in the header which **SHALL** contain exactly one [1..1] **templateId** such that it

- 2215 a. **SHALL** contain exactly one [1..1] @root="1.3.6.1.4.1.19376.1.5.3.1.2.2" (IHE Employer and School Contacts template).
2. The AssociatedEntity **SHALL** contain exactly one [1..1] name.
3. The AssociatedEntity **SHALL** contain exactly one [1..1] addr.
- 2220 10. **SHALL** contain at least one [1..\*] author
- a. Such authors **SHALL** contain exactly one [1..1] time
- Note: The author/time asserts when the employment status was authored or last updated in the patient’s chart.
- 2225 11. **SHOULD** contain zero or one [0..1] **entryRelationship** such that it
- a. **SHALL** contain exactly one [1..1] @typeCode="REFR" (CodeSystem: HL7ActRelationshipType uri:oid:2.16.840.1.113883.5.1002 **STATIC**).
- b. **SHALL** contain exactly one [1..1] Past or Present Industry Observation Entry (1.3.6.1.4.1.19376.1.7.3.1.4.24.3)
- 2230 12. **SHOULD** contain zero or one [0..1] **entryRelationship** such that it
- a. **SHALL** contain exactly one [1..1] @typeCode="REFR" (CodeSystem: HL7ActRelationshipType uri:oid:2.16.840.1.113883.5.1002 **STATIC**).
- b. **SHALL** contain exactly one [1..1] Job Employment Type Observation Entry (1.3.6.1.4.1.19376.1.7.3.1.4.24.4)
- 2235 13. **SHOULD** contain zero or one [0..1] **entryRelationship** such that it
- a. **SHALL** contain exactly one [1..1] @typeCode="REFR" (CodeSystem: HL7ActRelationshipType 2.16.840.1.113883.5.1002 **STATIC**).
- b. **SHALL** contain exactly one [1..1] Work Schedule Observation (1.3.6.1.4.1.19376.1.7.3.1.4.24.5).

2240 **6.3.4.67 Work Schedule Observation Entry**

**Table 6.3.4.67-1: Work Schedule Observation Entry 1.3.6.1.4.1.19376.1.7.3.1.4.24.5**

<b>Template Name</b>	Work Schedule Observation Entry		
<b>Template ID</b>	1.3.6.1.4.1.19376.1.7.3.1.4.24.5		
<b>Parent Template</b>			
<b>General Description</b>	A clinical statement about the schedule, “shift”, or typical time within a work-day in which a person is scheduled to perform their duties. It includes observations of the hours and days worked per week. Full-time and part-time designations are not defined consistently and would not reflect compressed schedules, long work hours, or overtime work. Use cases include care for a patient with diabetes who is on a rotating shift and needs different counseling on diet and medication management than someone working a regular day shift; a patient on a rotating shift who has fatigue interfering with activities at work and home; a patient with obesity working long hours.		
<b>Class/Mood</b>	<b>Code</b>	<b>Data Type</b>	<b>Value</b>

ClassCode= "OBS" MoodCode= "EVN"		Code = 74159-5 Display Name = Work Schedule CodeSystem = 2.16.840.1.113883.6.1 CodeSystemName=LOINC		Observation	Value xsi:type = "CD" from concept domain CD_WorkSchedule defined in Table 6.6-1	
Opt and Card	entryRelationship	Description	Template ID	Specificati on Document	Vocabulary Constraint	

[observation: templateId 1.3.6.1.4.1.19376.1.7.3.1.4.24.5 (open)]

- 2245 A clinical statement about the schedule, "shift", or typical time within a work-day in which a person is scheduled to perform their duties.
1. **SHALL** contain exactly one [1..1] @classCode="OBS"(CodeSystem: 2.16.840.1.113883.5.6 HL7ActClass).
  - 2250 2. **SHALL** contain exactly one [1..1] @moodCode="EVN" Event (CodeSystem: ActMood 2.16.840.1.113883.5.1001).
  3. **SHALL** contain exactly one [1..1] templateId such that it
    - a. **SHALL** contain exactly one [1..1] @root="1.3.6.1.4.1.19376.1.7.3.1.4.24.5".
  4. **SHALL** contain at least one [1..\*] id.
  5. **SHALL** contain exactly one [1..1] code.
    - 2255 a. **SHALL** be 74159-5 (Work Schedule) from LOINC (CodeSystem 2.16.840.1.113883.6.1).
  6. **SHALL** contain exactly one [1..1] statusCode="completed" Completed (CodeSystem: ActStatus 2.16.840.1.113883.5.14).
  7. **SHALL** contain exactly one [1..1] value with @xsi:type="CD".
    - 2260 a. This value **SHALL** contain exactly one [1..1] @code, which **SHALL** be selected from Concept Domain CD\_EmploymentStatus
  8. **MAY** contain zero or one [0..1] entryRelationship such that it
    - a. **SHALL** contain exactly one [1..1] @typeCode="REFR" (CodeSystem: HL7ActRelationshipType uri:oid:2.16.840.1.113883.5.1002 STATIC).
    - 2265 b. **SHALL** contain exactly one [1..1] Weekly Work Hours Observation Entry (1.3.6.1.4.1.19376.1.7.3.1.4.24.6)
  9. **MAY** contain zero or one [0..1] entryRelationship such that it
    - a. **SHALL** contain exactly one [1..1] @typeCode="REFR" (CodeSystem: HL7ActRelationshipType uri:oid:2.16.840.1.113883.5.1002 STATIC).
    - 2270 b. **SHALL** contain exactly one [1..1] Weekly Work Days Observation Entry (1.3.6.1.4.1.19376.1.7.3.1.4.24.7)

### 6.3.4.68 Weekly Work Hours Observation Entry

**Table 6.3.4.68-1: Weekly Work Hours Observation Entry 1.3.6.1.4.1.19376.1.7.3.1.4.24.6**

<b>Template Name</b>		Weekly Work Hours Observation Entry			
<b>Template ID</b>		1.3.6.1.4.1.19376.1.7.3.1.4.24.6			
<b>Parent Template</b>					
<b>General Description</b>		A clinical statement about the typical number of hours per week that a person spends performing their duties for work. This information is most useful coupled with weekly work days and helps to reveal compressed schedules, long work hours, and overtime.			
<b>Class/Mood</b>	<b>Code</b>	<b>Data Type</b>	<b>Value</b>		
ClassCode="OBS" MoodCode="EVN"	Code = 74161-1 Display Name = Weekly Work Hours CodeSystem = 2.16.840.1.113883.6.1 CodeSystemName=LOINC	Observation	value with @xsi:type="INT"		
<b>Opt and Card</b>	<b>entryRelationship</b>	<b>Description</b>	<b>Template ID</b>	<b>Specification on Document</b>	<b>Vocabulary Constraint</b>

2275

[observation: templateId 1.3.6.1.4.1.19376.1.7.3.1.4.24.6 (open)]

A clinical statement about the typical number of hours per week that a person spends performing their duties for work.

2280

1. **SHALL** contain exactly one [1..1] @classCode="OBS" (CodeSystem: 2.16.840.1.113883.5.6 HL7ActClass).
2. **SHALL** contain exactly one [1..1] @moodCode="EVN" Event (CodeSystem: ActMood 2.16.840.1.113883.5.1001).

2285

3. **SHALL** contain exactly one [1..1] templateId such that it
  - a. **SHALL** contain exactly one [1..1] @root="1.3.6.1.4.1.19376.1.7.3.1.4.24.6".

4. **SHALL** contain at least one [1..\*] id.
5. **SHALL** contain exactly one [1..1] code.

- a. **SHALL** be 74161-1 (Weekly Work Hours) from LOINC.

2290

6. **SHALL** contain exactly one [1..1] statusCode="completed" Completed (CodeSystem: ActStatus 2.16.840.1.113883.5.14).
7. **SHALL** contain exactly one [1..1] value with @xsi:type="INT".
  - a. This value **SHALL** contain exactly one [1..1] @value, which represents the number of hours in a week that a person typically works.



6.3.4.69 Usual Occupation Duration Entry

2295

**Table 6.3.4.69-1: Usual Occupation Duration Entry (1.3.6.1.4.1.19376.1.7.3.1.4.24.10)**

<b>Template Name</b>		Usual Occupation Duration Entry			
<b>Template ID</b>		1.3.6.1.4.1.19376.1.7.3.1.4.24.10			
<b>Parent Template</b>					
<b>General Description</b>		A Usual Occupation Duration Entry is a clinical statement about the total quantity of time a person spent in the occupation they held the longest over the course of their life. Start date alone can be insufficient, because a person may have been in and out of the occupation over time. The length of time a person performed a type of work can assist in assessing the extent of potential exposure to a health hazard.			
<b>Class/Mood</b>	<b>Code</b>		<b>Data Type</b>	<b>Value</b>	
ClassCode="OBS" MoodCode="EVN"	Code = 74163-7 Display Name = Usual Occupation Duration CodeSystem = 2.16.840.1.113883.6.1 CodeSystemName=LOINC		Observation	Value xsi:type=PQ representing the number of years of months. Units shall be expressed in UCUM.	
<b>Opt and Card</b>	<b>entryRelationship</b>	<b>Description</b>	<b>Template ID</b>	<b>Specificati on Document</b>	<b>Vocabulary Constraint</b>

[observation: templateId 1.3.6.1.4.1.19376.1.7.3.1.4.24.10 (open)]

A Usual Occupation Duration Entry is a clinical statement about the total quantity of time a person spent in the occupation they held the longest over the course of their life.

2300

1. **SHALL** contain exactly one [1..1] @classCode="OBS" (CodeSystem: 2.16.840.1.113883.5.6 HL7ActClass).
2. **SHALL** contain exactly one [1..1] @moodCode="EVN" Event (CodeSystem: ActMood 2.16.840.1.113883.5.1001).

2305

3. **SHALL** contain exactly one [1..1] templateId such that it
  - a. **SHALL** contain exactly one [1..1] @root="1.3.6.1.4.1.19376.1.7.3.1.4.24.10".

2310

4. **SHALL** contain at least one [1..\*] id.
5. **SHALL** contain exactly one [1..1] code.
  - a. **SHALL** be 74163-7 (Usual Occupation Duration) from LOINC.
6. **SHALL** contain exactly one [1..1] statusCode="completed" Completed (CodeSystem: ActStatus 2.16.840.1.113883.5.14).
7. **SHALL** contain exactly one [1..1] value with @xsi:type="PQ".
  - a. This value **SHALL** contain exactly one [1..1] @unit, which **SHALL** include duration-related units from value set UCUM 2.16.840.1.113883.1.11.12839.

2315 **6.3.4.70 Usual Industry Duration Entry**

**Table 6.3.4.70-1: Usual Industry Duration Entry 1.3.6.1.4.1.19376.1.7.3.1.4.24.11**

<b>Template Name</b>		Usual Industry Duration Entry			
<b>Template ID</b>		1.3.6.1.4.1.19376.1.7.3.1.4.24.11			
<b>Parent Template</b>					
<b>General Description</b>		A Usual Industry Duration entry is a clinical statement about the total quantity of time a person spent in a particular industry in which they worked for the longest over the course of their life. Start date alone can be insufficient, because a person may have been in and out of the industry over time. The length of time a person worked in a particular type of business can assist in assessing the extent of potential exposure to health hazards in the workplace.			
<b>Class/Mood</b>	<b>Code</b>	<b>Data Type</b>	<b>Value</b>		
ClassCode= "OBS" MoodCode= "EVN"	Code = 74162-9 Display Name = Usual Industry Duration CodeSystem = 2.16.840.1.113883.6.1 CodeSystemName=LOINC	Observation	Value xsi:type=PQ representing the number of years of months. Units shall be expressed in UCUM.		
<b>Opt and Card</b>	<b>entryRelationship</b>	<b>Description</b>	<b>Template ID</b>	<b>Specificati on Document</b>	<b>Vocabulary Constraint</b>

[observation: templateId 1.3.6.1.4.1.19376.1.7.3.1.4.24.11  
(open) ]

2320 A Usual Industry Duration Entry is a clinical statement about the total quantity of time a person spent in a particular industry in which they worked for the longest over the course of their life.

- 2325
1. **SHALL** contain exactly one [1..1] @classCode="OBS" (CodeSystem: 2.16.840.1.113883.5.6 HL7ActClass).
  2. **SHALL** contain exactly one [1..1] @moodCode="EVN" Event (CodeSystem: ActMood 2.16.840.1.113883.5.1001).
  3. **SHALL** contain exactly one [1..1] templateId such that it
    - a. **SHALL** contain exactly one [1..1] @root="1.3.6.1.4.1.19376.1.7.3.1.4.24.11".
  4. **SHALL** contain at least one [1..\*] id.
  5. **SHALL** contain exactly one [1..1] code.
    - a. **SHALL** be 74162-9 (Usual Industry Duration) from LOINC.
- 2330

2335

6. **SHALL** contain exactly one [1..1] **statusCode**="completed" Completed (CodeSystem: ActStatus 2.16.840.1.113883.5.14).
7. **SHALL** contain exactly one [1..1] **value** with @xsi:type="PQ".
  - a. This value **SHALL** contain exactly one [1..1] @unit="a" year, from value set UCUM 2.16.840.1.113883.1.11.12839.

### 6.3.4.74 Weekly Work Days Observation Entry

2340

**Table 6.3.4.71-1: Weekly Work Days Observation Entry 1.3.6.1.4.1.19376.1.7.3.1.4.24.7**

<b>Template Name</b>		Weekly Work Days Observation Entry			
<b>Template ID</b>		1.3.6.1.4.1.19376.1.7.3.1.4.24.7			
<b>Parent Template</b>					
<b>General Description</b>		A clinical statement about the typical number of days per week that a person spends performing their duties for work. This information is most useful coupled with weekly work hours and helps to reveal compressed schedules or a 7-day work-week.			
<b>Class/Mood</b>	<b>Code</b>		<b>Data Type</b>	<b>Value</b>	
ClassCode="OBS" MoodCode="EVN"	Code = 74160-3 Display Name = Weekly Work Days CodeSystem = 2.16.840.1.113883.6.1 CodeSystemName=LOINC		Observation	value with @xsi:type="INT"	
<b>Opt and Card</b>	<b>entryRelationship</b>	<b>Description</b>	<b>Template ID</b>	<b>Specificati on Document</b>	<b>Vocabulary Constraint</b>

[observation: templateId 1.3.6.1.4.1.19376.1.7.3.1.4.24.7 (open)]

A clinical statement about the typical number of days per week that a person spends performing their duties for work.

2345

1. **SHALL** contain exactly one [1..1] @**classCode**="OBS" (CodeSystem: 2.16.840.1.113883.5.6 HL7ActClass).
2. **SHALL** contain exactly one [1..1] @**moodCode**="EVN" Event (CodeSystem: ActMood 2.16.840.1.113883.5.1001).
3. **SHALL** contain exactly one [1..1] **templateId** such that it
  - a. **SHALL** contain exactly one [1..1] @**root**="1.3.6.1.4.1.19376.1.7.3.1.4.24.7".
4. **SHALL** contain at least one [1..\*] **id**.
5. **SHALL** contain exactly one [1..1] **code**.
  - a. **SHALL** be 74160-3 (Weekly Work Days) from LOINC.

2350

- 2355
6. **SHALL** contain exactly one [1..1] **statusCode**="completed" Completed (CodeSystem: ActStatus 2.16.840.1.113883.5.14).
  7. **SHALL** contain exactly one [1..1] **value** with @xsi:type="INT".
    - a. This value **SHALL** contain exactly one [1..1] @value, which represents the number of days in a week that a person typically works.

2360

Add Section 6.3.4.xx

### 6.3.4.xx Usual Occupation Observation Entry

**Table 6.3.4.xx-1: Usual Occupation Observation Entry 1.3.6.1.4.1.19376.1.7.3.1.4.24.8**

<b>Template Name</b>		Usual Occupation Observation Entry			
<b>Template ID</b>		1.3.6.1.4.1.19376.1.7.3.1.4.24.8			
<b>Parent Template</b>					
<b>General Description</b>		A Usual Occupation Observation Entry contains information about the occupation which the subject has held for the longest duration through his or her working history, at the point in time the statement is recorded. A history of this observation is not retained. Longest-held jobs can be associated with conditions that develop slowly over time or even after the person is no longer in that job, e.g., some respiratory conditions and cancers. It optionally includes a total duration observation, because a person can be in and out of a given occupation over time. In addition, knowing when the person began working in this occupation can provide information about potential exposures and allows the clinician to assess whether sufficient time has elapsed for a chronic condition to appear, i.e., the latency period. This guides appropriate use of screening tests to detect early disease.			
<b>Class/Mood</b>	<b>Code</b>	<b>Data Type</b>	<b>Value</b>		
ClassCode="OBS" MoodCode="EVN"	Code = 21843-8 Display Name = Usual Occupation CodeSystem = 2.16.840.1.113883.6.1 CodeSystemName=LOINC	Observation	Value xsi:type = "CD" from concept domain CD_OccupationCode defined in Table 6.6-1		
<b>Opt and Card</b>	<b>entryRelationship</b>	<b>Description</b>	<b>Template ID</b>	<b>Specificati on Document</b>	<b>Vocabulary Constraint</b>

2365 [observation: templateId 1.3.6.1.4.1.19376.1.7.3.1.4.24.8 (open)]

A Usual Occupation Observation Entry contains information about the occupation which the subject has held for the longest duration through his or her working history, at the point in time the statement is recorded.

- 2370
1. **SHALL** contain exactly one [1..1] @classCode="OBS" (CodeSystem: 2.16.840.1.113883.5.6 HL7ActClass).

- 2375
2. **SHALL** contain exactly one [1..1] **@moodCode="EVN"** Event (CodeSystem: ActMood 2.16.840.1.113883.5.1001).
  3. **SHALL** contain exactly one [1..1] **templateId** such that it
    - a. **SHALL** contain exactly one [1..1] **@root="1.3.6.1.4.1.19376.1.7.3.1.4.24.8"**.
  4. **SHALL** contain at least one [1..\*] **id**.
  5. **SHALL** contain exactly one [1..1] **code**.
    - a. **SHALL** be 21843-8 (Usual Occupation) from LOINC.
  6. **SHALL** contain exactly one [1..1] **statusCode="completed"** Completed (CodeSystem: ActStatus 2.16.840.1.113883.5.14).
  - 2380 7. **SHALL** contain exactly one [1..1] **effectiveTime**.
    - a. This effectiveTime **SHOULD** contain zero or one [0..1] low.  
Note: The effectiveTime/low asserts when the usual occupation began.
    - b. This effectiveTime **MAY** contain zero or one [0..1] high.  
  
Note: The effectiveTime/high asserts when the usual occupation ended. If usual occupation is current, effectiveTime/high should be omitted.
  - 2385 8. **SHALL** contain exactly one [1..1] **value** with **@xsi:type="CD"**.
  9. This value **SHALL** contain exactly one [1..1] **@code**, which **SHALL** be selected from Concept Domain CD\_EmploymentStatus
  10. **SHALL** contain at least one [1..\*] **author**
    - a. Such authors **SHALL** contain exactly one [1..1] time  
  
Note: The author/time asserts when the usual occupation was authored or last updated in the patient’s chart.
  - 2390 11. **SHOULD** contain zero or one [0..1] **entryRelationship** such that it
  - 2395 12. **SHALL** contain exactly one [1..1] **@typeCode="REFR"** (CodeSystem: HL7ActRelationshipType 2.16.840.1.113883.5.1002 **STATIC**).
  13. **SHOULD** contain exactly one [1..1] Usual Occupation Duration Observation Entry (1.3.6.1.4.1.19376.1.7.3.1.4.24.10)

Add Section 6.3.4.yy

2400 **6.3.4.yy Past or Present Industry Observation Entry**

**Table 6.3.4.yy-1: Past or Present Industry Observation Entry  
1.3.6.1.4.1.19376.1.7.3.1.4.24.3**

<b>Template Name</b>	Past or Present Industry Observation Entry
<b>Template ID</b>	1.3.6.1.4.1.19376.1.7.3.1.4.24.3
<b>Parent Template</b>	
<b>General Description</b>	A Past or Present Industry Observation Entry is a clinical statement about the type of business (industry) in which the subject currently holds or has held a job in the past.

		Industry is a key data element for understanding health risks. Similar occupations performed in different industries can have very different health risks; e.g., a nurse in an acute healthcare setting vs. a nurse in an elementary school, or a plumber in housing construction vs a plumber in shipbuilding. Each Past or Present Industry Observation is therefore linked to a specific Past or Present Occupation Observation Entry.			
Class/Mood		Code	Data Type	Value	
ClassCode="OBS" MoodCode="EVN"		Code = 86188-0 Display Name = Occupation Industry CodeSystem = 2.16.840.1.113883.6.1 CodeSystemName=LOINC	Observation	Value xsi:type = "CD" from concept domain CD_IndustryCode defined in Table 6.6-1	
Opt and Card	entryRelationship	Description	Template ID	Specification Document	Vocabulary Constraint

[observation: templateId 1.3.6.1.4.1.19376.1.7.3.1.4.24.3 (open)]

2405

An Occupation Observation Entry is a clinical statement about a job or jobs which the subject currently holds or has held in the past.

2410

1. **SHALL** contain exactly one [1..1] @classCode="OBS" (CodeSystem: 2.16.840.1.113883.5.6 HL7ActClass) .
2. **SHALL** contain exactly one [1..1] @moodCode="EVN" Event (CodeSystem: ActMood 2.16.840.1.113883.5.1001).
3. **SHALL** contain exactly one [1..1] templateId such that it
  - a. **SHALL** contain exactly one [1..1] @root="1.3.6.1.4.1.19376.1.7.3.1.4.24.3".

2415

4. **SHALL** contain at least one [1..\*] id.
5. **SHALL** contain exactly one [1..1] code.
  - a. **SHALL** be 86188-0 (Occupation Industry) from LOINC (codeSystem 2.16.840.1.113883.6.1) .

2420

6. **SHALL** contain exactly one [1..1] statusCode="completed" (CodeSystem: ActStatus 2.16.840.1.113883.5.14) .
7. **SHALL** contain exactly one [1..1] value with @xsi:type="CD"
  - a. This value **SHALL** be selected from Concept Domain CD\_IndustryCode.

Add Section 6.3.4.zz

2425 **6.3.4.zz Job Employment Type Observation Entry**

**Table 6.3.4.zz-1: Job Employment Type Observation Entry 1.3.6.1.4.1.19376.1.7.3.1.4.24.4**

<b>Template Name</b>		Job Employment Type Observation Entry			
<b>Template ID</b>		1.3.6.1.4.1.19376.1.7.3.1.4.24.4			
<b>Parent Template</b>					
<b>General Description</b>		A Job Employment Type Observation Entry is a clinical statement about employment attributes for the job which the subject currently holds or has held in the past. This entry adds information about the worker’s job, such as self-employed or unpaid, and is similar to the U.S. Bureau of Labor Statistics ‘class of worker’ and the International Labor Organization ‘classification of status in employment’. Knowing a patient is self-employed, for example, can assist in discussing return-to-work options.			
<b>Class/Mood</b>	<b>Code</b>	<b>Data Type</b>	<b>Value</b>		
ClassCode= “OBS” MoodCode= “EVN”	Code = 85104-8 Display Name = Job Employment Type CodeSystem = 2.16.840.1.113883.6.1 CodeSystemName=LOINC	Observation	Value xsi:type = “CD” from concept domain CD_JobEmploymentType defined in Table 6.6-1		
<b>Opt and Card</b>	<b>entryRelationship</b>	<b>Description</b>	<b>Template ID</b>	<b>Specificati on Document</b>	<b>Vocabulary Constraint</b>

[observation: templateId 1.3.6.1.4.1.19376.1.7.3.1.4.24.4 (open)]

A Job Employment Type Observation Entry is a clinical statement about employment attributes for the job which the subject currently holds or has held in the past.

- 2430
1. **SHALL** contain exactly one [1..1] **@classCode**="OBS" (CodeSystem: 2.16.840.1.113883.5.6 HL7ActClass).
  2. **SHALL** contain exactly one [1..1] **@moodCode**="EVN" Event (CodeSystem: ActMood 2.16.840.1.113883.5.1001).
  3. **SHALL** contain exactly one [1..1] **templateId** such that it
    - 2435 a. **SHALL** contain exactly one [1..1] **@root**="1.3.6.1.4.1.19376.1.7.3.1.4.24.4".
  4. **SHALL** contain at least one [1..\*] **id**.
  5. **SHALL** contain exactly one [1..1] **code**.
    - a. **SHALL** be 85104-8 (Job Employment Type) from LOINC.
  6. **SHALL** contain exactly one [1..1] **statusCode**="completed" Completed (CodeSystem: ActStatus 2.16.840.1.113883.5.14).
  - 2440 7. **SHALL** contain exactly one [1..1] **value** with **@xsi:type**="CD".
  8. This value **SHALL** contain exactly one [1..1] **@code**, which **SHALL** be selected from Concept Domain CD\_JobEmploymentType

2445

Add Section 6.3.4.aa

### 6.3.4.aa Usual Industry Observation Entry

**Table 6.3.4.aa-1: Usual Industry Observation Entry 1.3.6.1.4.1.19376.1.7.3.1.4.24.9**

<b>Template Name</b>	Usual Industry Observation Entry		
<b>Template ID</b>	1.3.6.1.4.1.19376.1.7.3.1.4.24.9		
<b>Parent Template</b>			
<b>General Description</b>	A Usual Industry Observation Entry is a clinical statement about the industry (type of business) which the subject has worked in for the longest duration through his or her working history, at the point in time the statement is recorded. A history of this observation is not retained. The usual industry is structured to be independent from usual occupation, because a person can be in an industry with a high-health risk for the longest time, but in different occupations. For example, a person may have had multiple occupations in one industry, but a single occupation in more than one industry. It optionally includes a total duration observation and start date, which are useful to assess potential exposures and likelihood of risk for diseases of delayed onset, such as many respiratory conditions and cancers.		
<b>Class/Mood</b>	<b>Code</b>	<b>Data Type</b>	<b>Value</b>
ClassCode="OBS" MoodCode="EVN"	Code = 21844-6 Display Name = Usual Industry CodeSystem = 2.16.840.1.113883.6.1 CodeSystemName=LOINC	Observation	Value xsi:type = "CD" from concept domain CD_IndustryCode defined in Table 6.6-1

[observation: templateId 1.3.6.1.4.1.19376.1.7.3.1.4.24.9 (open) ]

2450

A Usual Industry Observation Entry is a clinical statement about the industry (type of business) which the subject has worked in for the longest duration through his or her working history, at the point in time the statement is recorded.

2455

1. **SHALL** contain exactly one [1..1] @**classCode**="OBS" (CodeSystem: 2.16.840.1.113883.5.6 HL7ActClass).
2. **SHALL** contain exactly one [1..1] @**moodCode**="EVN" Event (CodeSystem: ActMood 2.16.840.1.113883.5.1001).
3. **SHALL** contain exactly one [1..1] **templateId** such that it
  - a. **SHALL** contain exactly one [1..1] @**root**="1.3.6.1.4.1.19376.1.7.3.1.4.24.9".
4. **SHALL** contain at least one [1..\*] **id**.
5. **SHALL** contain exactly one [1..1] **code**.
  - a. **SHALL** be 21844-6 (Usual Industry) from LOINC.
6. **SHALL** contain exactly one [1..1] **statusCode**="completed" Completed (CodeSystem: ActStatus 2.16.840.1.113883.5.14).
7. **SHALL** contain exactly one [1..1] **effectiveTime**.
  - a. This effectiveTime **SHOULD** contain zero or one [0..1] low.

2465

Note: The effectiveTime/low asserts when the usual industry began.



- b. This effectiveTime MAY contain zero or one [0..1] high.

Note: The effectiveTime/high asserts when the patient ended work in the usual industry. If usual industry is current, effectiveTime/high should be omitted.

- 2470 8. SHALL contain exactly one [1..1] value with @xsi:type="CD".
- 9. This value SHALL contain exactly one [1..1] @code, which SHALL be selected from Concept Domain CD\_UsualIndustry
- 10. SHALL contain at least one [1..\*] author
  - a. Such authors SHALL contain exactly one [1..1] time

Note: The author/time asserts when the usual industry was authored or last updated in the patient’s chart.

- 2475 11. SHOULD contain zero or one [0..1] entryRelationship such that it
- 12. SHALL contain exactly one [1..1] @typeCode="REFR" (CodeSystem: HL7ActRelationshipType 2.16.840.1.113883.5.1002 STATIC).
- 2480 13. SHOULD contain exactly one [1..1] Usual Industry Duration Observation Entry (1.3.6.1.4.1.19376.1.7.3.1.4.24.11)

## 6.4 Section not applicable

This heading is not currently used in a CDA document.

2485 *Add to sections 6.5 Value Sets*

## 6.5 QRPH Value Sets

2490 All QRPH HW Value Sets are maintained in the PHIN-VADS value set repository. The list of referenced value sets and associated links to this resource are provided in Appendix A of Volume 3.

*Add to Table 6.6-1: Concept Domains as follows*

**Table 6.6-1: Concept Domains**

UV Concept Domain	Concept Domain Description
CD_JobEmploymentType	The job employment type concept domain defines a type of job held by the subject. This job employment type contains information about the worker’s job, such as self-employed or unpaid, and is similar to the U.S. Bureau of Labor Statistics ‘class of worker’ and the International Labor Organization ‘classification of status in employment’. Knowing a patient is self-employed, for example, can assist in discussing return-to-work options.

2495

## Appendices

### Appendix A – Healthy Weight Value Sets

2500 The Healthy Weight value sets are available from the Centers for Disease Control and Prevention/National Center for Health Statistics Public Health Information Network Vocabulary Access and Distribution System (PHIN VADS) at: <https://phinvads.cdc.gov/vads/>.

#### A.1 HW Coding Systems

##### A.1.1 SNOMED-CT Metadata

SNOMED-CT Value Sets Metadata Shall contain the following content:

Metadata Element	Definition	Description
Source Coding System	This is the source of the value set, identifying the originator or publisher of the information	SNOMED-CT
Source Coding System OID	Specific OID that represents the coding system	2.16.840.1.113883.12.162
Source URI	Most sources also have a URL or document URI that provides further details regarding the value set.	<a href="http://www.nlm.nih.gov/research/umls/Snomed/snomed_main.html">http://www.nlm.nih.gov/research/umls/Snomed/snomed_main.html</a>

##### A.1.2 RxNORM

2505 RxNorm Value Sets Metadata Shall contain the following content:

Metadata Element	Definition	Description
Source Coding System	This is the source of the value set, identifying the originator or publisher of the information	RxNorm
Source Coding System OID	Specific OID that represents the coding system	2.16.840.1.113883.6.88
Source URI	Most sources also have a URL or document URI that provides further details regarding the value set.	<a href="http://www.nlm.nih.gov/research/umls/rxnorm/">http://www.nlm.nih.gov/research/umls/rxnorm/</a>

##### A.1.3 HL7

HL7 Value Sets Metadata Shall contain the following content:

Metadata Element	Definition	Description
Source Coding System	This is the source of the value set, identifying the originator or publisher of the information	HL7
Source Coding System OID	Specific OID that represents the coding system	2.16.840.1.113883

Metadata Element	Definition	Description
Source URI	Most sources also have a URL or document URI that provides further details regarding the value set.	<a href="http://www.hl7.org">http://www.hl7.org</a>

#### A.1.4 LOINC

LOINC Value Sets Metadata Shall contain the following content:

Metadata Element	Definition	Description
Source Coding System	This is the source of the value set, identifying the originator or publisher of the information	LOINC
Source Coding System OID	Specific OID that represents the coding system	2.16.840.1.113883.6.1
Source URI	Most sources also have a URL or document URI that provides further details regarding the value set.	<a href="http://loinc.org">http://loinc.org</a>

2510

#### A.1.5 FIPS 5-2

FIPS 5-2 Value Sets Metadata Shall contain the following content:

Metadata Element	Definition	Description
Source Coding System	This is the source of the value set, identifying the originator or publisher of the information	FIPS 5-2
Source Coding System OID	Specific OID that represents the coding system	2.16.840.1.101.3.4.2.1
Source URI	Most sources also have a URL or document URI that provides further details regarding the value set.	<a href="http://www.itl.nist.gov/fipspubs/fip5-2.htm">http://www.itl.nist.gov/fipspubs/fip5-2.htm</a>

#### A.1.6 NUBC

NUBC Value Sets Metadata Shall contain the following content:

Metadata Element	Definition	Description
Source Coding System	This is the source of the value set, identifying the originator or publisher of the information	NUBC
Source Coding System OID	Specific OID that represents the coding system	2.16.840.1.113883.6.21

2515

### A.2 Specification of Value Sets used in the HW Profile

The following table describes each of the value sets used to support the HW Profile. These are all published by and available from the PHIN Vocabulary Access and Distribution System (PHIN VADS). Each of the value sets below are established as extensional with the discrete values

2520

available at the PHIN-VADS URL provided. Version status may change from time-to-time as these value sets are maintained by CDC, so version number should not be referenced when using these value sets in support of the HW Profile. Similarly, associated date related metadata attributes will be changed as a result of value set maintenance activities, and can be obtained at the PHIN-VADS URL provided.

Name	Identifier	Purpose	Source	PHIN VADS URL	Groups
Weight Associated Conditions	1.3.6.1.4.1.19 376.1.7.3.1.1.23.8.19	To identify those conditions associated with healthy weight, focusing on the high-level minimum set of interest	SNOMED-CT	<a href="https://phinvads.cdc.gov/vads/ViewValueSet.action?oid=1.3.6.1.4.1.19376.1.7.3.1.1.23.8.19">https://phinvads.cdc.gov/vads/ViewValueSet.action?oid=1.3.6.1.4.1.19376.1.7.3.1.1.23.8.19</a>	IHE HW
Healthy Weight Dietary Behavior	1.3.6.1.4.1.19 376.1.7.3.1.1.23.8.8	To reflect Healthy Weight influencing factors of Dietary Behavior	SNOMED-CT	<a href="https://phinvads.cdc.gov/vads/ViewValueSet.action?oid=1.3.6.1.4.1.19376.1.7.3.1.1.23.8.8">https://phinvads.cdc.gov/vads/ViewValueSet.action?oid=1.3.6.1.4.1.19376.1.7.3.1.1.23.8.8</a>	IHE HW
Physical Activity Behavior	1.3.6.1.4.1.19 376.1.7.3.1.1.23.8.9	To reflect Physical Activity Behavior	SNOMED-CT	<a href="https://phinvads.cdc.gov/vads/ViewValueSet.action?oid=1.3.6.1.4.1.19376.1.7.3.1.1.23.8.9">https://phinvads.cdc.gov/vads/ViewValueSet.action?oid=1.3.6.1.4.1.19376.1.7.3.1.1.23.8.9</a>	IHE HW
HW Influencing Family History	1.3.6.1.4.1.19 376.1.7.3.1.1.23.8.13	To reflect Family History that impact Healthy Weight	SNOMED-CT	<a href="https://phinvads.cdc.gov/vads/ViewValueSet.action?oid=1.3.6.1.4.1.19376.1.7.3.1.1.23.8.13">https://phinvads.cdc.gov/vads/ViewValueSet.action?oid=1.3.6.1.4.1.19376.1.7.3.1.1.23.8.13</a>	IHE HW
Mother Breastfeeding	1.3.6.1.4.1.19 376.1.7.3.1.1.23.8.14	To reflect that the mother is breastfeeding her child	SNOMED-CT	<a href="https://phinvads.cdc.gov/vads/ViewValueSet.action?oid=1.3.6.1.4.1.19376.1.7.3.1.1.23.8.14">https://phinvads.cdc.gov/vads/ViewValueSet.action?oid=1.3.6.1.4.1.19376.1.7.3.1.1.23.8.14</a>	IHE HW
HW Laboratory Results	1.3.6.1.4.1.19 376.1.7.3.1.1.23.8.17	To identify laboratory results that are relevant to improved healthy weight	LOINC	<a href="https://phinvads.cdc.gov/vads/ViewValueSet.action?oid=1.3.6.1.4.1.19376.1.7.3.1.1.23.8.17">https://phinvads.cdc.gov/vads/ViewValueSet.action?oid=1.3.6.1.4.1.19376.1.7.3.1.1.23.8.17</a>	IHE HW
PHVS_Language_ISO_639-2_Alpha3	2.16.840.1.11 4222.4.11.831		ISO 639-2	<a href="https://phinvads.cdc.gov/vads/ViewValueSet.action?oid=2.16.840.1.114222.4.11.831">https://phinvads.cdc.gov/vads/ViewValueSet.action?oid=2.16.840.1.114222.4.11.831</a>	IHE HW
PHVS_EmploymentStatus_ODH	2.16.840.1.11 4222.4.11.7129		SNOMED-CT	<a href="https://phinvads.cdc.gov/vads/ViewValueSet.action?oid=2.16.840.1.114222.4.11.7129">https://phinvads.cdc.gov/vads/ViewValueSet.action?oid=2.16.840.1.114222.4.11.7129</a>	IHE HW
PHVS_Occupation_Census	2.16.840.1.11 4222.4.11.6036		SNOMED-CT	<a href="https://phinvads.cdc.gov/vads/ViewValueSet.action?oid=2.16.840.1.114222.4.11.6036">https://phinvads.cdc.gov/vads/ViewValueSet.action?oid=2.16.840.1.114222.4.11.6036</a>	IHE HW
PHVS_EmploymentWorkShift_ODH	2.16.840.1.11 4222.4.11.7130		SNOMED-CT	<a href="https://phinvads.cdc.gov/vads/ViewValueSet.action?oid=2.16.840.1.114222.4.11.7130">https://phinvads.cdc.gov/vads/ViewValueSet.action?oid=2.16.840.1.114222.4.11.7130</a>	IHE HW

Name	Identifier	Purpose	Source	PHIN VADS URL	Groups
Pregnant	1.3.6.1.4.1.19 376.1.7.3.1.1. 13.8.95		SNOMED- CT	<a href="https://phinvads.cdc.gov/vads/ViewValueSet.action?oid=1.3.6.1.4.1.19376.1.7.3.1.1.13.8.95">https://phinvads.cdc.gov/vads/ViewValueSet.action?oid=1.3.6.1.4.1.19376.1.7.3.1.1.13.8.95</a>	IHE HW

2525

### Volume 3 Namespace Additions

<i>Add the following terms to the IHE Namespace:</i>
--

None