

**Integrating the Healthcare Enterprise**



5

**IHE Laboratory (LAB)  
Technical Framework**

**Volume 2a**

**LAB TF-2a**

10

**Transactions Part A**

15

20

**Revision 6.0 - Final Text  
July 14, 2015**

25

**Please verify you have the most recent version of this document, which is published [here](#).**

## CONTENTS

	1	Introduction .....	8
30	1.1	Overview of IHE.....	8
	1.2	Overview of the Laboratory Technical Framework.....	8
	1.2.1	Production.....	8
	1.2.2	How the Laboratory Technical Framework is organized .....	9
	1.3	Audience .....	9
35	1.4	Relationship to Standards .....	9
	1.5	Relationship to Real-world architectures.....	10
	1.6	History of Annual Changes.....	10
	1.6.1	Scope of Changes Introduced in the Current Year (2013) .....	10
	1.6.2	Scope of Changes Introduced in Year 2012 .....	11
40	1.6.3	Scope of Changes Introduced in Year 2011 .....	11
	1.6.4	Scope of Changes Introduced in Year 2008 .....	11
	1.7	Comments .....	11
	1.8	Copyright Permissions .....	11
	1.9	IHE Technical Framework Development and Maintenance Process .....	12
45	1.10	Glossary .....	12
	2	Conventions .....	13
	2.1	Technical Framework Cross-references .....	13
	2.2	The generic IHE Transaction Model.....	13
	2.3	HL7 Profiling Conventions.....	14
50	2.3.1	Static Definition - Message Level .....	15
	2.3.2	Static Definition - Segment Level .....	16
	2.4	HL7 Implementation Notes.....	18
	2.4.1	Network Guidelines .....	18
	2.4.2	Message Granularity.....	18
55	2.4.3	Empty and Nullified Fields.....	18
	2.4.4	Acknowledgement Modes .....	18
	2.4.5	IHE Laboratory Technical Framework Acknowledgement Policies.....	19
	2.4.6	HL7 Data Types.....	20
	2.4.6.1	CX – Extended Composite ID with Check Digit .....	20
60	2.4.6.2	EI – Entity Identifier.....	21
	2.4.6.3	EIP – Entity Identifier Pair .....	22
	2.4.6.4	HD – Hierarchic Designator .....	23
	3	IHE Transactions.....	24
	3.1	Placer Order Management (LAB-1) .....	24
65	3.1.1	Scope.....	24
	3.1.2	Use Case Roles .....	25
	3.1.3	Referenced Standards .....	25

<p><b>HL7 and HEALTH LEVEL SEVEN are the registered trademarks of Health Level Seven International.</b></p>
---

	3.1.4 Interaction Diagrams .....	25
	3.1.4.1 Normal Process of a Placer Order .....	27
70	3.1.4.2 Cancellation of an Order by the Order Placer .....	27
	3.1.4.3 Cancellation of an Order Initiated by the Order Filler .....	28
	3.1.5 Messages Static Definitions.....	28
	3.1.5.1 Available HL7 2.5 Structures for OML Message .....	28
	3.1.5.2 Restrictions on OML Message for Transaction LAB-1 .....	29
75	3.1.5.3 OML^O21 Static Definition.....	29
	3.1.5.4 ORL^O22 Static Definition.....	31
	3.1.5.5 OML^O33 Static Definition.....	32
	3.1.5.6 ORL^O34 Static Definition.....	33
	3.1.5.7 OML^O35 Static Definition.....	34
80	3.1.5.8 ORL^O36 Static Definition.....	36
	3.1.5.9 Specific Segments Description for Transaction LAB-1 .....	37
	3.1.5.9.1 OBR - Observation Request Segment .....	37
	3.2 Filler Order Management (LAB-2).....	42
	3.2.1 Scope.....	42
85	3.2.2 Use Case Roles .....	42
	3.2.3 Referenced Standards .....	42
	3.2.4 Interaction Diagrams .....	43
	3.2.4.1 Process of a Filler Order.....	43
	3.2.5 Messages Static Definitions.....	43
90	3.2.5.1 Restrictions on OML Messages for Transaction LAB-2.....	44
	3.2.5.2 OML and ORL Messages Static Definitions.....	44
	3.2.5.3 Specific Segments Description for Transaction LAB-2 .....	44
	3.2.5.3.1 OBR - Observation Request Segment.....	44
	3.3 Order Results Management (LAB-3).....	48
95	3.3.1 Scope.....	48
	3.3.2 Use Case Roles .....	48
	3.3.3 Referenced Standards .....	49
	3.3.4 Interaction Diagrams .....	49
	3.3.4.1 Normal Process for Management of Results of a Filler Order .....	49
100	3.3.4.2 Deletion of Battery/Test in a Filler Order .....	51
	3.3.4.3 Summary of Events Triggering LAB-3 Messages .....	51
	3.3.5 Messages Static Definitions.....	52
	3.3.5.1 OUL^R22 Static Definition.....	52
	3.3.5.2 ORU^R01 Static Definition.....	53
105	3.3.5.3 OBR Segment.....	55
	3.3.5.4 Use of the Option Report Facsimile For Order Group.....	60
	3.3.5.4.1 PDF Report Provided By Reference.....	60
	3.3.5.4.2 OF Actor Sending Responsibilities Extended for this Option .....	60
	3.3.5.4.3 ORT Actor Receiving Responsibilities Extended for this Option .....	60

<p><b>HL7 and HEALTH LEVEL SEVEN are the registered trademarks of Health Level Seven International.</b></p>
---

110	3.3.5.4.4 Segment Group Dedicated to the Report Facsimile.....	61
	3.3.5.4.5 ORC Segment Introducing the Laboratory Report for the Order Group ..	61
	3.3.5.4.6 OBR Segment Introducing the Laboratory Report for the Order Group ..	61
	3.3.5.4.7 OBX Segment Carrying the Link to the Laboratory Report.....	62
	3.3.5.4.8 Example of ORDER_OBSERVATION Segment Group in ORU .....	62
115	3.3.6 Acknowledgement of OUL and ORU Messages.....	63
	3.4 Work Order Management (LAB-4) .....	64
	3.4.1 Scope.....	64
	3.4.2 Use Case Roles .....	64
	3.4.3 Referenced Standards .....	64
120	3.4.4 Interaction Diagrams .....	64
	3.4.5 Messages Static Definitions.....	65
	3.4.5.1 Laboratory Order Message (OML^O21, ORL^O22).....	65
	3.4.5.1.1 Trigger Events.....	65
	3.4.5.1.2 Message Semantics .....	65
125	3.4.5.2 Multiple Orders Related to a Single Specimen (OML^O33, ORL^O34) .....	68
	3.4.5.2.1 Trigger Events.....	68
	3.4.5.2.2 Message Semantics .....	69
	3.4.5.3 Multiple Orders for a Single Container/Specimen (OML^O35, ORL^O36) .....	71
	3.4.5.3.1 Trigger Events.....	71
130	3.4.5.3.2 Message Semantics .....	71
	3.4.5.3.3 OBR Segment .....	73
	3.4.5.3.4 TCD Segment.....	75
	3.4.5.4 Expected Action .....	75
	3.5 Test Results Management (LAB-5) .....	77
135	3.5.1 Scope.....	77
	3.5.2 Use Case Roles .....	77
	3.5.3 Referenced Standards .....	77
	3.5.4 Interaction Diagrams .....	77
	3.5.5 Messages Static Definitions.....	78
140	3.5.5.1 Trigger Events .....	78
	3.5.5.2 Message Semantics (R22) .....	78
	3.5.5.3 Message Semantics (R23) .....	79
	3.5.5.4 Expected Action .....	81
	3.5.5.5 OBR Segment.....	81
145	3.5.5.6 TCD Segment .....	83
	3.6 Work Order Step Download to LD (LAB-21).....	84
	3.6.1 Scope.....	84
	3.6.2 Use Case Roles .....	84
	3.6.3 Referenced Standard.....	84
150	3.6.4 Interaction Diagram .....	84
	3.6.5 Message Static Definitions .....	85

<p><b>HL7 and HEALTH LEVEL SEVEN are the registered trademarks of Health Level Seven International.</b></p>
---

	3.6.6 Trigger Events .....	85
	3.6.7 Message Semantics .....	85
	3.6.8 Expected Actions .....	88
155	3.6.9 OBR Segment .....	88
	3.6.10 TCD Segment .....	89
	3.7 WOS Query (LAB-22).....	90
	3.7.1 Scope.....	90
	3.7.2 Use Case Roles .....	90
160	3.7.3 Referenced Standard.....	90
	3.7.4 Interaction Diagram .....	91
	3.7.5 Message Static Definitions .....	91
	3.7.5.1 Trigger Events .....	91
	3.7.5.2 Message Semantics.....	91
165	3.7.5.3 Expected Actions.....	94
	3.7.5.4 QPD Segment .....	94
	3.7.5.5 RCP Segment.....	95
	3.8 AWOS Status Change (LAB-23).....	97
	3.8.1 Scope.....	97
170	3.8.2 Use Case Roles .....	97
	3.8.3 Referenced Standard.....	97
	3.8.4 Interaction Diagram .....	97
	3.8.5 Message Static Definitions .....	97
	3.8.5.1 Trigger Events .....	98
175	3.8.5.2 Message Semantics.....	98
	3.8.5.3 Expected Actions.....	99
	3.8.5.4 OBR Segment .....	99
	3.8.5.5 TCD Segment .....	100
	3.9 SWOS Status Change (LAB-26) .....	101
180	3.9.1 Scope.....	101
	3.9.2 Use Case Roles .....	101
	3.9.3 Referenced Standard.....	101
	3.9.4 Interaction Diagram .....	101
	3.9.5 Message Static Definitions .....	102
185	3.9.5.1 Trigger Events .....	102
	3.9.5.2 Message Semantics.....	102
	3.9.5.3 Expected Actions.....	103
	4 Real World Use Cases.....	103
	4.1 Guidelines .....	103
190	4.2 Two Hematology Batteries on a Blood Specimen.....	104
	4.2.1 Storyboard.....	104
	4.2.2 Interaction Diagram .....	105
	4.2.3 Messages.....	105

<p><b>HL7 and HEALTH LEVEL SEVEN are the registered trademarks of Health Level Seven International.</b></p>
---

	4.2.3.1 LAB-1 (OP → OF): Message “New order” with one Specimen.....	106
195	4.2.3.2 LAB-4 (OF → AM): Message “New order” .....	106
	4.2.3.3 LAB-1 (OF → OP): Message “Status changed” .....	107
	4.2.3.4 LAB-3 (OF->ORT): Message “Order Status Change” .....	107
	4.2.3.5 LAB-21 (AM→ Analyzer): New AWOS.....	108
	4.2.3.6 LAB-23 (Analyzer → AM): Specimen for AWOS Arrived .....	108
200	4.2.3.7 LAB-23 (Analyzer → AM): Tests Performed.....	108
	4.2.3.8 LAB-5 (AM->OF): Message “New Results” .....	109
	4.2.3.9 LAB-1 (OF->OP): Message “Status Changed” .....	109
	4.2.3.10 LAB-3 (OF->ORT): Message “Status Changed” .....	110
	4.3 Test on a Series of Specimens: Glucose Tolerance Study.....	111
205	4.3.1 Storyboard.....	111
	4.3.2 Interaction Diagram .....	114
	4.3.3 Messages.....	114
	4.3.3.1 LAB-1 (OP → OF): Message “New order” with the first 3 Specimens.....	114
	4.3.3.2 LAB-4 (OF → AM): Message “New order” with the first 2 Specimens .....	115
210	4.3.3.3 LAB-1 (OF → OP): Message “Status changed” with the first 3 Specimens ..	115
	4.3.3.4 LAB-3 (OF → ORT): Message first Specimens accepted for an order .....	116
	4.3.3.5 LAB-5 (AM → OF): Message “New results” for the first 2 Work Orders .....	116
	4.3.3.6 LAB-1 (OF → OP): Message “Status Changed” .....	116
	4.3.3.7 LAB-3 (OF → ORT): Message “Status Changed” .....	117
215	4.3.3.8 LAB-1(OP → OF): Message “Change Order/Service Request” .....	117
	4.3.3.9 LAB-4 (OF → AM): Message “New order” with the last 2 Specimens .....	118
	4.3.3.10 LAB-1 (OF → OP): Message “Status changed” with all Specimens ....	118
	4.3.3.11 LAB-3 (OF → ORT): Message “Status Changed”.....	118
	4.3.3.12 LAB-5 (AM → OF): “New results” for the last 2 Work Orders .....	119
220	4.3.3.13 LAB-1 (OF → OP): Message “Status Changed”.....	119
	4.3.3.14 LAB-3 (OF → ORT): Message “Status Changed”.....	120
	4.4 Battery with 2 Specimens: Creatinine clearance .....	121
	4.4.1 Storyboard.....	121
	4.4.2 Interaction Diagram .....	123
225	4.4.3 Messages.....	124
	4.4.3.1 LAB-1 (OP → OF): Message “New order” with one Specimen.....	124
	4.4.3.2 LAB-4 (OF → AM): Message “New order” .....	124
	4.4.3.3 LAB-1 (OF → OP): Message “Status Changed” .....	124
	4.4.3.4 LAB-3 (OF->ORT): Message “Order Status Change” .....	126
230	4.4.3.5 LAB-5 (AM->OF): Message “New Results” .....	126
	4.4.3.6 LAB-1 (OF->OP): Message “Status Changed” .....	126
	4.4.3.7 LAB-3 (OF->ORT): Message “Status Changed” .....	127
	4.5 Microbiology with Two Specimens and Three Germs Identified .....	129
	4.5.1 Storyboard.....	129
235	4.5.2 Interaction Diagram .....	131

<p><b>HL7 and HEALTH LEVEL SEVEN are the registered trademarks of Health Level Seven International.</b></p>
---

	4.5.3 Messages.....	132
	4.5.3.1 LAB-1 (OP → OF): Message “New order” with Two Specimens.....	132
	4.5.3.2 LAB-3 (OF → ORT): Message “Order Status Change” .....	132
	4.5.3.3 LAB-3 (OF → ORT): Message “Status Changed” .....	132
240	4.5.3.4 LAB-2(OF → OP): Message “Send Order Number” .....	133
	4.5.3.5 LAB-3 (OF → ORT): Message “Status Changed” .....	134
	4.5.3.6 LAB-2(OF → OP): Message “Send Order Number” .....	135
	4.5.3.7 LAB-3 (OF → ORT): Message “Status Changed” .....	135
	4.5.3.8 LAB-3 (OF → ORT): Message “Status Changed” .....	136
245	4.6 Rejection of a Specimen .....	140
	4.6.1 Storyboard.....	140
	4.6.2 Interaction Diagram .....	141
	4.6.3 Messages.....	141
	4.6.3.1 LAB-1 (OP -> OF):Message “Create new order” .....	141
250	4.6.3.2 LAB-3 (OF -> ORT/OP) : Acceptance of the order.....	142
	4.6.3.3 LAB-3 (OF -> ORT/OP) : Rejection of a specimen.....	142
	4.6.3.4 LAB-1 (OP->OF): ‘New Order’ with new specimen for same order group ....	143

<p><b>HL7 and HEALTH LEVEL SEVEN are the registered trademarks of Health Level Seven International.</b></p>
---

## 255 1 Introduction

### 1.1 Overview of IHE

Integrating the Healthcare Enterprise (IHE) is an initiative designed to stimulate the integration of the information systems that support modern healthcare institutions. Its fundamental objective is to ensure that in the care of patients all required information for medical decisions is both  
260 correct and available to healthcare professionals. The IHE initiative is both a process and a forum for encouraging integration efforts. It defines a technical framework for the implementation of established interoperability standards to achieve specific clinical goals. It includes a rigorous testing process for the implementation of this framework, organizes educational sessions, exhibits at major meetings of medical professionals to demonstrate the benefits of this  
265 framework and encourage its adoption by industry and users.

The approach employed in the IHE initiative is to support the use of existing standards, e.g., HL7, ASTM, DICOM, ISO, IETF, OASIS, CLSI and others as appropriate, rather than to define new standards. IHE profiles further constrain configuration choices where necessary in these standards to ensure that they can be used in their respective domains in an integrated manner  
270 between different actors. When clarifications or extensions to existing standards are necessary, IHE refers recommendations to the relevant standards bodies.

### 1.2 Overview of the Laboratory Technical Framework

#### 1.2.1 Production

This document, the Laboratory Technical Framework (LAB TF), defines specific  
275 implementations of established standards to achieve integration goals of clinical laboratories with other components of a healthcare enterprise or with a broader community of healthcare providers, hereafter called a healthcare community.

This document is updated annually, following a period of public review, and maintained regularly through the identification and correction of errata. The current version, rev. 6.0 Final  
280 Text, specifies the IHE transactions defined and implemented as of July 2015. The latest version of the document is always available via the Internet at [http://ihe.net/Technical\\_Frameworks](http://ihe.net/Technical_Frameworks).

It has been produced with the help of the following organizations:

- CAP (College of American Pathologists)
- ASIP Santé (Agence des Systèmes d'Information Partagés de Santé) formerly GMSIH  
285 (Groupement pour la Modernisation du Système d'Information Hospitalier)
- JAHIS (Japanese Association of Healthcare Information Systems Industry)
- IHE-J (IHE Japan)
- SFIL (Société Française d'Informatique de Laboratoire)

<b>HL7 and HEALTH LEVEL SEVEN are the registered trademarks of Health Level Seven International.</b>
--



- HL7 and its affiliate organizations
- 290 • RSNA (Radiological Society of North America)

### 1.2.2 How the Laboratory Technical Framework is organized

The IHE Laboratory Technical Framework identifies a subset of the functional components of the healthcare enterprise or healthcare community, called IHE actors, and specifies their interactions in terms of a set of coordinated, standards-based transactions. It describes this body  
295 of transactions in progressively greater depth, and is organized in volumes:

- **Volume 1** of the Laboratory Technical Framework (LAB TF-1) provides a high-level view of IHE functionality, showing the transactions organized into functional units called integration profiles that highlight their capacity to address specific integration requirements for clinical purposes.
- 300 • **Volumes 2a, 2b, and 2x** of the Laboratory Technical Framework (LAB TF-2a, Lab TF-2b, LAB TF-2x) provide a detailed technical description of each message-based transaction and of its messages.
- **Volume 3** of the Laboratory Technical Framework (LAB TF-3) provides a detailed technical description of each document-based transaction, its persistent content and  
305 binding.
- **Volume 4** of the Laboratory Technical Framework (LAB TF-4) has been deprecated

### 1.3 Audience

The intended audience of this document is:

- Technical staff of vendors participating in the IHE initiative
- 310 • IT managers of healthcare institutions and healthcare communities
- Experts involved in standards development
- Anyone interested in the technical aspects of integrating healthcare information systems

### 1.4 Relationship to Standards

The IHE Laboratory Technical Framework identifies functional components of a distributed  
315 healthcare environment (referred to as IHE actors), solely from the point of view of their interactions in the healthcare enterprise. At its current level of development, it defines a coordinated set of transactions based on HL7, IETF, ISO, CLSI, OASIS and W3C standards. As the scope of the IHE initiative expands, transactions based on other international standards may be included as required.

320 In some cases, IHE recommends selection of specific options supported by these standards; however, IHE does not introduce technical choices that contradict conformance to these

<b>HL7 and HEALTH LEVEL SEVEN are the registered trademarks of Health Level Seven International.</b>
--

standards. If errors in or extensions to existing standards are identified, IHE's policy is to report them to the appropriate standards bodies for resolution within their conformance and standards evolution strategy.

325 IHE is therefore an implementation framework, not a standard. Conformance claims for products must still be made in direct reference to specific standards. In addition, vendors who have implemented IHE integration capabilities in their products may publish IHE Integration Statements to communicate their products' capabilities. Vendors publishing IHE Integration  
330 Statements accept full responsibility for their content. By comparing the IHE Integration Statements from different products, a user familiar with the IHE concepts of actors and integration profiles can determine the level of integration between them.

## 1.5 Relationship to Real-world architectures

The IHE Actors and transactions are abstractions of the real-world healthcare information system environment. While some of the transactions are traditionally performed by specific product  
335 categories (e.g., Hospital Information System, Electronic Patient Record, Clinical Information System, Laboratory Information System, Laboratory Automation System, analyzer, robotic transportation system and other pre and post-analytic process equipment), the IHE Laboratory Technical Framework intentionally avoids associating functions or actors with such product categories. For each actor, the IHE Laboratory Technical Framework defines only those  
340 functions associated with integrating information systems. The IHE definition of an actor should therefore not be taken as the complete definition of any product that might implement it, nor should the framework itself be taken to comprehensively describe the architecture of a healthcare information system.

## 1.6 History of Annual Changes

345 The IHE Technical Framework is updated annually to reflect new profiles, corrections and new transactions.

### 1.6.1 Scope of Changes Introduced in the Current Year (2015)

This revision 6.0 incorporates a single minor correction from Change Proposal #293, by  
350 removing duplication of content that was present in both this chapter and chapter 2b, from where it has been removed. It will be the basis for 2016 Connectathons.

- Added support for NTE segments after ORC and TCD in RSP^WOS^RSP\_K11 per CR#219 (see Section 913.7.5.2)
- Added support for NTE segment after PID in OML^O33 (see Section 3.6.7), per CR#237.
- 355 • Updated usage of specimen group in LAB-3 (see Section 3.5.5.2) and related examples in Section 4 per CR#238

<b>HL7 and HEALTH LEVEL SEVEN are the registered trademarks of Health Level Seven International.</b>
--

- Updated Updates/corrections to the sections that are out of line with the base standard in Sections 3.1.5.3, 3.1.5.4, 3.1.5.9, 3.3.5.2, 3.3.5.3 per CR#240

### **1.6.2 Scope of Changes Introduced in the Current Year (2013)**

360 This revision 5.0 incorporates a single minor correction from Change Proposal #193. It will be the basis for 2014 Connectathons.

### **1.6.3 Scope of Changes Introduced in Year 2012**

This revision 4.0 incorporates a number of Change Proposals resulting from the Connectathons of years 2011 – 2012. It will be the basis for 2013 Connectathons.

### **365 1.6.4 Scope of Changes Introduced in Year 2011**

This revision 3.0 incorporates a number of Change Proposals resulting from the Connectathons of years 2008 – 2010. It will be the basis for Connectathons 2011 (in Europe, Japan and other regions) and 2012 (in North-America).

The major enhancements are:

- 370 • Batch option and various refinements added to transaction LAB-51 (LCSD Profile)
- Fixes and refinements on some field definitions in various transactions.

### **1.6.5 Scope of Changes Introduced in Year 2008**

The main changes introduced by revision 2.1 were the following:

- Refined descriptions of segments ORC, SAC, TQ1, OBX, SPM (see sections 3.5 to 3.9)
- 375 • Microbiology reporting rules (see Section 3.11 and example in Section 19.5)
- Option “Report Facsimile For Order Group” (see sections 4, 6 and example in Section 19.4)
- HL7 Ack, and MSA, ERR segments descriptions externalized to ITI TF-2:Appendix C
- Support of HL7 v2.5.1 (see OBX segment description in Section 3.9)
- 380 • Cleanup of all examples messages in Section 19

## **1.7 Comments**

IHE International welcomes comments on this document and the IHE initiative. They should be directed to the co-chairs of the IHE Laboratory Committee, using the address [lab@ihe.net](mailto:lab@ihe.net).

## **1.8 Copyright Permissions**

<p><b>HL7 and HEALTH LEVEL SEVEN are the registered trademarks of Health Level Seven International.</b></p>
---

385 Health Level Seven Inc. has granted permission to IHE to reproduce tables from the HL7 standard. The HL7 tables in this document are copyrighted by Health Level Seven Inc. All rights reserved.

IHE grants permission to Health Level Seven Inc. and its affiliate organizations to reproduce either parts of this document or the document in its entirety.

390 The Clinical and Laboratory Standards Institute (CLSI) has granted to IHE the permission to reproduce tables and figures from the POCT1-A standard. The POCT1-A tables and figures in this document are copyrighted by CLSI. All rights reserved.

IHE grants permission to CLSI to reproduce either parts of this document or the document in its entirety.

## 395 **1.9 IHE Technical Framework Development and Maintenance Process**

The IHE Laboratory Technical Framework is being continuously extended and maintained by the IHE Laboratory Technical committee. The development and maintenance process of the Framework follows a number of principles to ensure stability of the specification so that both vendors and users may use it reliably in specifying, developing and acquiring systems with IHE integration capabilities.

400 The first of these principles is that any extensions, clarifications and corrections to the Technical Framework must maintain backward compatibility with previous versions of the framework in order to maintain interoperability with systems that have implemented IHE Actors and Integration Profiles defined there.

## 405 **1.10 Glossary**

See the Glossary in LAB TF-1:1.11

<p><b>HL7 and HEALTH LEVEL SEVEN are the registered trademarks of Health Level Seven International.</b></p>
---

## 2 Conventions

### 2.1 Technical Framework Cross-references

410 When references are made to another section within a Technical Framework volume, a section number is used by itself. When references are made to other volumes or to a Technical Framework in another domain, the following format is used:

<domain designator> TF-<volume number>: <section number>, where

415 <domain designator> is a short designator for the IHE domain (ITI = IT Infrastructure, PCC = Patient Care Coordination, LAB = Laboratory)

<volume number> is the applicable volume within the given Technical Framework (e.g., 1, 2, 3),

<section number> is the applicable section number.

For example: ITI TF-1: 3.1 refers to Section 3.1 in volume 1 of the IHE IT Infrastructure.

420 When references are made to Transaction numbers in the Technical Framework, the following format is used:

[<domain designator>-<transaction number>], where

<transaction number> is the transaction number within the specified domain. For example:

[LAB-1] refers to Transaction 1 from the IHE Laboratory Technical Framework, [ITI-30] refers to Transaction 30 from the IT Infrastructure Technical Framework.

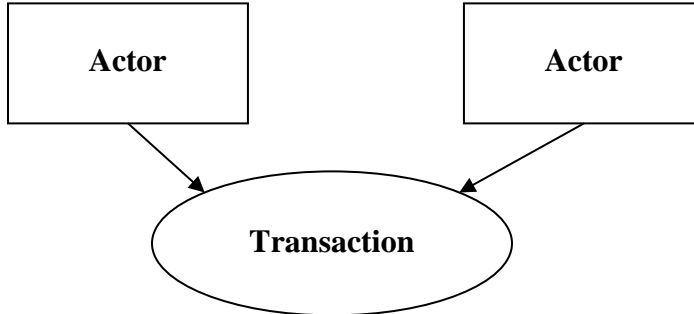
### 425 2.2 The generic IHE Transaction Model

Transaction descriptions are provided in Section 3. In each transaction description, the actors, the roles they play, and the transactions between them are presented as use cases.

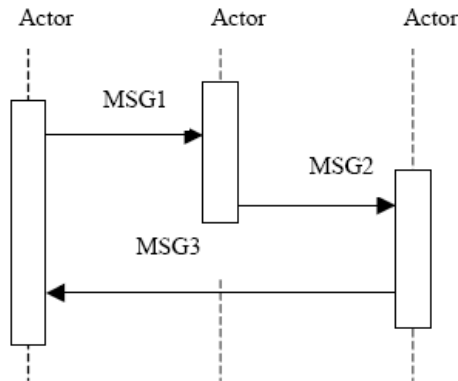
The generic IHE transaction description includes the following components:

- Scope: a brief description of the transaction.
- 430 • Use case roles: textual definitions of the actors and their roles, with a simple diagram relating them, e.g.,:

<b>HL7 and HEALTH LEVEL SEVEN are the registered trademarks of Health Level Seven International.</b>
--



- *Referenced Standards*: the standards (stating the specific parts, chapters or sections thereof) to be used for the transaction.
- 435
- *Interaction Diagram*: a graphical depiction of the actors and messages that support the transaction, with related processing within an Actor shown as a rectangle and time progressing downward, similar to:



440 The interaction diagrams used in the IHE Laboratory Technical Framework are modeled after those described in Grady Booch, James Rumbaugh, and Ivar Jacobson, *The Unified Modeling Language User Guide*, ISBN 0-201-57168-4. Simple acknowledgment messages are often omitted from the diagrams for brevity. One or more messages may be required to satisfy a transaction. Each message is represented as an arrow starting from the Actor initiating the message.

- 445 • *Message definitions*: descriptions of each message involved in the transaction, the events that trigger the message, its semantics, and the actions that the message triggers in the receiver.

### 2.3 HL7 Profiling Conventions

450 The messages used by each transaction are described in this document using static definitions of "HL7 constrainable message profiles". Refer to HL7 v2.5 Section 2.12.6. The static definition of each message is represented within tables. At the message level, a table represents the message

**HL7 and HEALTH LEVEL SEVEN are the registered trademarks of Health Level Seven International.**

structure and its definition in terms of segments. At the segment level, a table details one segment and its definition in terms of fields.

### 2.3.1 Static Definition - Message Level

455 The table describing a message contains 5 columns:

- *Segment*: gives the segment name, and places the segment within the hierarchy of the HL7 message structure. Segments or segment groups not required appear between square brackets. Repeatable segments or segment groups appear between braces.

- *Meaning*: Meaning of the segment as defined by HL7

460 • *Usage*: Coded usage of the segment, as defined by this static definition built for the context of this particular transaction within IHE Laboratory Technical Framework. The coded values used in this document are:

465 **R**: Required: A compliant sending application shall populate all "R" elements with a non-empty value. A compliant receiving application shall process (save/print/archive/etc.) or ignore the information conveyed by required elements. A compliant receiving application shall not raise an error due to the presence of a required element, but may raise an error due to the absence of a required element.

470 **RE**: Required if available. The element may be missing from the message, but shall be sent by the sending application if there is relevant data. A conformant sending application shall be capable of providing all "RE" elements. If the conformant sending application knows the required values for the element, then it shall send that element. If the conformant sending application does not know the required values, then that element may be omitted.

475 Receiving applications will be expected to process (save/print/archive/etc.) or ignore data contained in the element, but shall be able to successfully process the message if the element is omitted (no error message should be generated if the element is missing).

**O**: Optional. The usage for this field within IHE Laboratory Technical Framework has not been defined yet

480 **C**: Conditional. This usage has an associated condition predicate. (See HL7 v2.5 Section 2.12.6.6 "Condition Predicate").

If the predicate is satisfied: A compliant sending application shall always send the element. A compliant receiving application shall process or ignore data in the element. It may raise an error if the element is not present.

485 If the predicate is NOT satisfied: A compliant sending application shall NOT send the element. A compliant receiving application shall NOT raise an error if the condition predicate is false and the element is not present, though it may raise an error if the element IS present.

<b>HL7 and HEALTH LEVEL SEVEN are the registered trademarks of Health Level Seven International.</b>
--

- 490 **X:** Not supported. For conformant sending applications, the element will not be sent.  
 Conformant receiving applications may ignore the element if it is sent, or may raise an application error.
- **Cardinality:** Within square brackets, minimum and maximum number of occurrences authorized for this segment, in this static definition of the message, built for the context of this particular transaction within IHE Laboratory Technical Framework.
- 495
- **HL7 chapter:** Reference of the HL7 v2.5 chapter that describes this segment.

**Simplification:**

For a better readability of the table, the usage “X” is not shown at the message level: if a segment is "not supported" by an IHE profile, it simply doesn't appear in the table representing the message structure.

**Table 2.3.1-1: Example - Initial segments of a message description**

Segment	Meaning	Usage	Card.	HL7 chapter
MSH	Message Header	R	[1..1]	2
[	--- PATIENT begin	O	[0..1]	
PID	Patient Identification	R	[1..1]	3
[	--- PATIENT VISIT begin	RE	[0..1]	
PV1	Patient Visit	R	[1..1]	3

**2.3.2 Static Definition - Segment Level**

500 The table describing a segment and its definition in terms of fields contains 7 columns:

- **SEQ:** Position (sequence) of the field within the segment.
  - **LEN:** Maximum length of the field
  - **DT:** Field Data Type
  - **Usage:** Usage of the field in this particular context of IHE Laboratory Technical Framework. Same coded values as in the message level: R, RE, C, O, X
  - **Cardinality:** Minimum and maximum number of occurrences for the field in this particular context of IHE Laboratory Technical Framework. Same meaning as in the message level.
  - **TBL#:** Table reference (for fields using a set of defined values)
  - **ITEM#:** HL7 unique reference for this field
  - **Element Name:** Name of the field.
- 505
- 510

**HL7 and HEALTH LEVEL SEVEN are the registered trademarks of Health Level Seven International.**



**Simplification :**

For a better readability of the table, the usage “O” is not shown at the segment level: Optional fields do not appear in the tables unless there is text regarding this field in the description that follows the table. The number in the first column SEQ is the only item of information that provides the exact position of a field within this segment.

**Table 2.3.2-1: Example - The MSH segment description**

SEQ	LEN	DT	Usage	Card.	TBL #	ITEM#	Element name
1	1	ST	R	[1..1]		00001	Field Separator
2	4	ST	R	[1..1]		00002	Encoding characters
3	227	HD	R	[1..1]	0361	00003	Sending Application
...							

**HL7 and HEALTH LEVEL SEVEN are the registered trademarks of Health Level Seven International.**

## 515 2.4 HL7 Implementation Notes

### 2.4.1 Network Guidelines

The IHE Laboratory Technical Framework makes these recommendations:

Applications shall use the Minimal Lower Layer Protocol (MLLP) defined in appendix C of the HL7 Implementation Guide.

520 An application that wants to send a message (initiate a transaction) will initiate a network connection (if one does not already exist) to start the transaction. The receiver application will respond with an acknowledgement or response to query but will not initiate new transactions on this network connection.

### 2.4.2 Message Granularity

525 A message is generated from one trigger event in the real world. Therefore a message is related to one single business object:

- A LAB-1, LAB-2 or LAB-3 message is related to one Order or to one Order Group.
- A LAB-4 or LAB-5 message is related to one Work Order.
- A LAB-21, LAB-22, LAB-23 or LAB-26 message is related to one Work Order Step.

### 530 2.4.3 Empty and Nullified Fields

According to HL7 standard, if the value of a field is not present, the receiver shall not change corresponding data in its database. However, if the sender defines the field value to be the explicit NULL value (i.e., two double quotes ""), it shall cause removal of any values for that field in the receiver's database. This convention is fully applied by the IHE Laboratory Technical Framework.

535

### 2.4.4 Acknowledgement Modes

The Laboratory Technical Framework applies thoroughly the acknowledgement rules and syntax as defined in **ITI TF-2: C.2.3**. Implementers are referred to this **section C.2.3 in Appendix C of ITI TF volume 2** for all details regarding the usage of the MSA segment in acknowledgement messages (that is ACK, ORL and RSP messages), as well as the usage of the ERR segment.

540

For the IHE Laboratory Technical Framework, applications that receive HL7 messages shall send acknowledgements using the HL7 original acknowledgement mode as defined in HL7 v2.5 chapter 2, 2.9.2. The enhanced acknowledgement rules are not supported.

545 An OML message shall be acknowledged by one single ORL message. An OUL or an ORU message shall be acknowledged by one single ACK message. These acknowledgements are application-level acknowledgements (i.e., not transport acknowledgements) and must be generated by the receiving application after it has parsed the message and processed its content.

**HL7 and HEALTH LEVEL SEVEN are the registered trademarks of Health Level Seven International.**

The receiving application shall automatically generate the application-level acknowledgement messages without waiting for human approval of the contents of the message that was received.

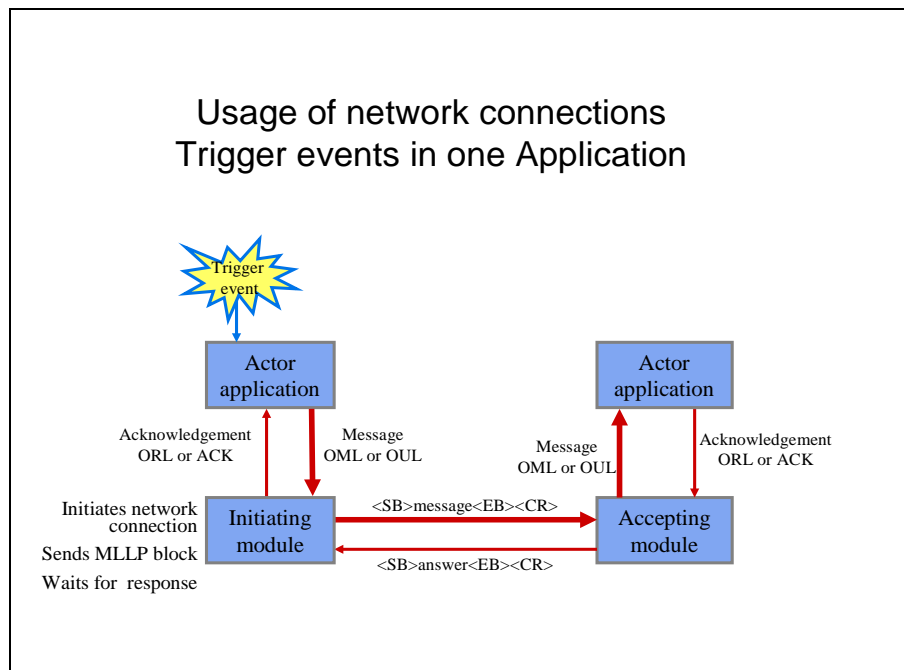
550 **2.4.5 IHE Laboratory Technical Framework Acknowledgement Policies**

From a transactional viewpoint a MLLP (Minimal Lower Layer Protocol) network connection is *unidirectional*. Event-triggered messages flow in one direction and acknowledgement messages related to those event-triggered messages flow in the other direction.

555 The acknowledgement message to an event-triggered message shall be sent *immediately* to the sender on the same MLLP connection that carried the event-triggered message. The receiver of an event-triggered message should assume that the sending application is blocking and send an application-level acknowledgement as soon as possible.

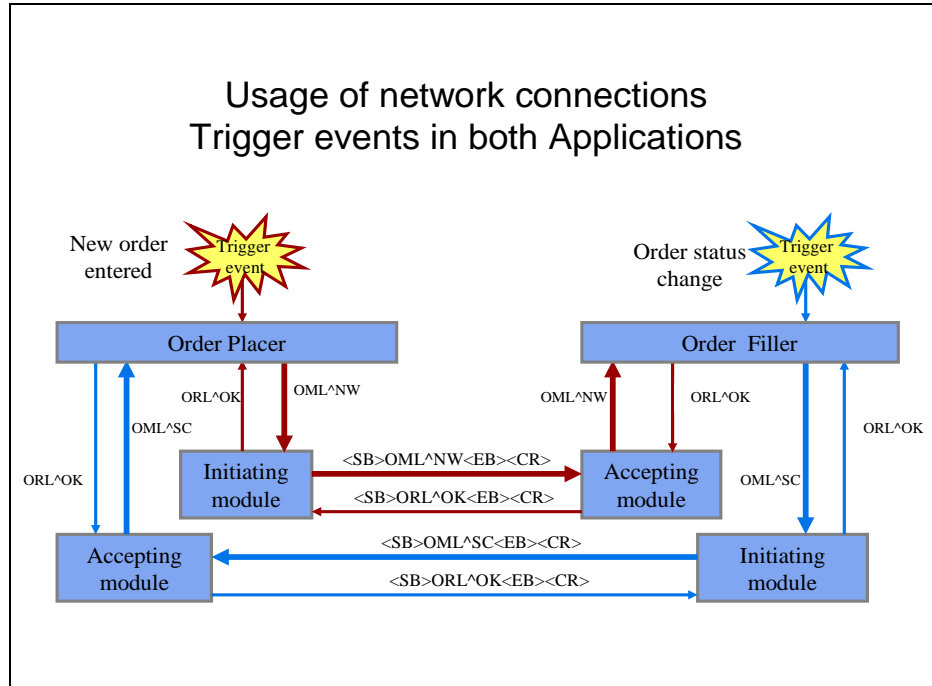
560 It may take the receiving system a while (seconds, minutes) to acknowledge a message. If the MLLP connection is broken whilst the sending application is still waiting for an acknowledgement, the sending application shall initiate a new MLLP connection and resend the message.

565 The acknowledgement message is an application-level acknowledgement. (Note: HL7 commit/accept acknowledgement messages shall not be used). The application acknowledgement shall only be created by an application that is able to examine a message at the semantic / business-process level. Intermediate message brokers do not have this capacity and therefore shall not be used to generate the contents of application acknowledgements.



**HL7 and HEALTH LEVEL SEVEN are the registered trademarks of Health Level Seven International.**

570 Transactions between 2 applications which contain trigger events on both sides (such as LAB-1) require at least two network connections between the Actors, one for each direction:



### 2.4.6 HL7 Data Types

575 This section describes the IHE constraints on some HL7 data types.

#### 2.4.6.1 CX – Extended Composite ID with Check Digit

SEQ	LEN	DT	Usage	CARD	TBL#	COMPONENT NAME
1	15	ST	R	[1..1]		ID Number
2	1	ST	O	[0..1]		Check Digit
3	3	ID	O	[0..1]	0061	Check Digit Scheme
4	227	HD	R	[1..1]	0363	Assigning Authority
5	5	ID	RE	[0..1]	0203	Identifier Type Code
6	227	HD	O	[0..1]		Assigning Facility
7	8	DT	O	[0..1]		Effective Date
8	8	DT	O	[0..1]		Expiration Date
9	705	CWE	O	[0..1]		Assigning Jurisdiction
10	705	CWE	O	[0..1]		Assigning Agency or Department

**HL7 and HEALTH LEVEL SEVEN are the registered trademarks of Health Level Seven International.**

The data type has been constrained because the IHE Framework regards the Assigning Authority and the Identifier Type Code as essential components.

580 **2.4.6.2 EI – Entity Identifier**

The constraints below particularly apply to the following fields: placer order number, filler order number, placer group number and specimen number.

SEQ	LEN	DT	Usage	CARD	TBL#	COMPONENT NAME
1	16	ST	R	[1..1]		Entity Identifier
2	20	IS	C	[0..1]	0363	Namespace ID
3	199	ST	C	[0..1]		Universal ID
4	6	ID	C	[0..1]	0301	Universal ID Type

585 Component 1 is required. Either component 2 or both components 3 and 4 are required. Components 2, 3 and 4 may be all present.

The EI is appropriate for machine or software generated identifiers. The generated identifier goes in the first component. The remaining components, 2 through 4, are known as the assigning authority; they can also identify the machine/system responsible for generating the identifier in component 1.

590

Example 1: AB12345^RiversideHospital

Example 2: AB12345^^1.2.840.45.67^ISO

Example 3: AB12345^RiversideHospital^1.2.840.45.67^ISO

595 IHE restrains the length of the first component to 16 characters. National extensions can extend this length up to a maximum of 199.

IHE recommends to fill component 2 “Namespace ID” in all cases. Particularly when there are several concurrent assigning authorities within the healthcare enterprise, this Namespace ID will indicate which assigning authority provided this number.

600 This happens for instance, when there are several Order Placer actors within the enterprise, each one assigning placer order numbers and placer group numbers.

Example 4: Placer order number and placer group number assigned by two different Order Placer actors.

In message 1: ORC|NW|9876543^Nephro||777^Nephro|...

In message 2: ORC|SC|9876543^Urology||555^Urology|...

605 This also commonly happens when there are several Order Filler actors within the enterprise, each one assigning its own filler order numbers and specimen numbers.

**HL7 and HEALTH LEVEL SEVEN are the registered trademarks of Health Level Seven International.**

Example 6: Filler order number and specimen number assigned by the Order Filler Actor operated by the clinical laboratory of cytology.

610 SPM | 1 | ^45611&Cytology | ...  
 ...  
 OBR | 1 | 456^Cytology | ...

### 2.4.6.3 EIP – Entity Identifier Pair

**HL7 Component Table - EIP – Entity Identifier Pair**

SEQ	LEN	DT	Usage	CARD	TBL #	COMPONENT NAME
1	427	EI	C	[0..1]		Placer Assigned Identifier
2	427	EI	C	[0..1]		Filler Assigned Identifier

615

The IHE LAB-TF uses this data type for identifying specimens (see SPM-2 and SPM-3 in SPM segment static definition) and Order Groups (see ORC-4 in ORC segment static definition).

Condition predicate for specimens:

- 620 • In the context of transactions LAB-1, LAB-2, LAB-3, the first sub-component (EIP-1) is populated with the specimen ID assigned by the Order Placer Actor, if available. The second sub-component (EIP-2) is populated with the specimen ID assigned by the Order Filler Actor, if available.
- 625 • In the context of transactions LAB-4 and LAB-5, EIP-1 is populated with the specimen ID assigned by an Actor preceding the Automation Manager in the workflow, if available. EIP-2 is populated with the specimen ID assigned by the Automation Manager or by a Laboratory Device, if available.
- 630 • In the context of transactions LAB-21, LAB-22, LAB-26 (in LDA Profile), EIP-1 is populated with the specimen ID assigned by an Actor preceding the Laboratory Device, if available. EIP-2 is populated with the specimen ID assigned by a Laboratory Device, if available.
- In the context of transactions LAB-61 and LAB-62, EIP-1 is populated with the specimen ID assigned by the Label Information Provider Actor. EIP-2 is never populated.
- 635 • In the context of transactions LAB-27, LAB-28, LAB-29 (in LAW Profile), EIP-1 is populated with the specimen ID assigned by an Actor preceding the Analyzer, if available. EIP-2 is never populated.

Condition predicate for Order Groups:

- In the context of all transactions dealing with orders, the first sub-component (EIP-1) is populated with the Order Group identifier assigned by the Order Placer application, if

**HL7 and HEALTH LEVEL SEVEN are the registered trademarks of Health Level Seven International.**

640

known, and the second sub-component (EIP-2) is populated with the Order Group identifier accessioned by the Order Filler application, if known.

#### 2.4.6.4 HD – Hierarchic Designator

SEQ	LEN	DT	Usage	CARD	TBL #	COMPONENT NAME
1	20	IS	R	[1..1]	0300	Namespace ID
2	199	ST	C			Universal ID
3	6	ID	C		0301	Universal ID Type

This Integration Profile requires that a field of Data Type HD be populated with:

645

- Either the first component “Namespace ID” alone, which in this case contains a local identifier of the object.
- Or with all three components, “Namespace ID” containing the name of the object, “Universal ID” containing its universal OID, and “Universal ID Type” containing the value **ISO**.

650

This data type is particularly used in this technical framework to identify facilities, applications and assigning authorities: sending and receiving applications, sending and receiving facilities, last update facility, assigning authority of an identifier, etc.

**HL7 and HEALTH LEVEL SEVEN are the registered trademarks of Health Level Seven International.**

### 3 IHE Transactions

#### 3.1 Placer Order Management (LAB-1)

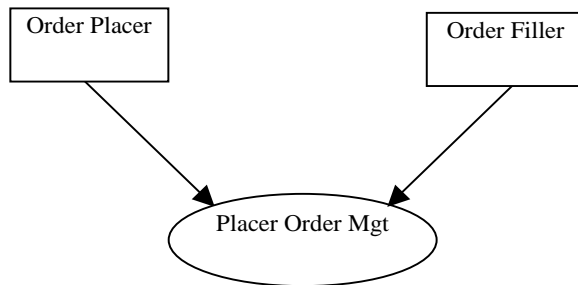
##### 3.1.1 Scope

- 655 This transaction is used by the Order Placer to place an Order Group (i.e., a set of Orders to be tested together for a patient) or a standalone Order to the Order Filler. The transaction enables both Order Placer and Order Filler to notify all subsequent changes of status and/or content of each Order to the other side.
- An Order contains a battery or a single test requested to a laboratory. The tests are to be
- 660 performed on one or more in vitro specimens collected from the patient.
- An Order accepted by the Order Filler is acknowledged to the Order Placer as scheduled by the laboratory: Order Status ORC-5 = “SC” (scheduled)
- When the accurate specimens for this Order are accepted or collected by the laboratory the Order Filler notifies the start of the process to the Order Placer: Order Status ORC-5 = “IP” (in
- 665 process).
- When the first results of an Order are released the Order Filler notifies to the Order Placer the Order Status ORC-5 = “A” (some, but not all, results available).
- When all results of an Order are released the Order Filler notifies to the Order Placer the Order Status ORC-5 = “CM” (completed).
- 670 Both Order Placer and Order Filler may update or cancel an existing Order. Update consists in replacing the ordered test or battery by another one.
- An Order canceled ends with Order Status ORC-5 = “CA” (canceled).
- To request an additional battery or test in an existing Order Group the Order Placer places a new Order added to this Order Group.
- 675 To generate an additional battery or test in an existing Order Group the Order Filler uses transaction LAB-2, not LAB-1.
- In addition, if the “Report Facsimile For Order Group” Option is activated, this transaction MAY include into an Order Group placed, the request for the facsimile of the report related to that Order Group.

<p><b>HL7 and HEALTH LEVEL SEVEN are the registered trademarks of Health Level Seven International.</b></p>
---



680 **3.1.2 Use Case Roles**



**Actor:** Order Placer

685 **Roles:** Places orders. Updates orders. Cancels orders. Nullifies orders. Receives acceptance or rejection from the Order Filler. Receives Order content and status changes from the Order Filler.

**Actor:** Order Filler

690 **Roles:** Receives orders. Checks the specimens required, and notifies the Order Placer of acceptance or refusal. Receives Order content changes from the Order Placer. Notifies content updates (removed batteries/tests) to the Order Placer. Notifies status changes (scheduled, started, cancelled, completed) to the Order Placer.

**3.1.3 Referenced Standards**

HL7 version 2.5:

- Chapter 2: "Control" --> generic segments and data types
- Chapter 3: "ADT" --> PID and PV1 segments
- 695 • Chapter 4: "Order Entry" --> OML and ORL messages
- Chapter 7: "Observation Reporting" --> SPM segment
- Chapter 13: "Clinical Laboratory Automation" --> SAC segment

**3.1.4 Interaction Diagrams**

700 Trigger events: In all interactions below, the initiator chooses the best OML message structure appropriate to its orders. The responder SHALL respond with the related ORL message structure:

OML^O21 → ORL^O22

OML^O33 → ORL^O34

OML^O35 → ORL^O36

705 An OML message shall be responded to with exactly one ORL message.

**HL7 and HEALTH LEVEL SEVEN are the registered trademarks of Health Level Seven International.**

The Filler Order Number is required in the ORL messages. ORL messages SHALL be created by the Order Filler application, and not by a message broker or a communication system. The message broker (an intermediary between the Order Placer and the Order Filler) has no knowledge of the tests being requested and can't accept/reject these test on behalf of the Order Filler.

710

Simplification of the message flow when Actors OP and ORT are grouped:

The blue message flows “Order status change” notified by the Order Filler to the Order Placer in the figure below happen only when the Order Placer and the Order Results Tracker are different applications.

715

Whenever the Order Placer and the Order Results Tracker are grouped in the same application, the Transaction LAB-3 message carrying the status change and possible new results is sufficient to inform that application of the new status of the Order. An “Order status change” message in LAB-1 would be redundant in that case. Therefore, when exchanging with a grouped Order Placer/Order Results Tracker, the Order Filler SHALL NOT send the redundant message “Order Status Change” from Transaction LAB-1 (marked in blue in the figure below).

720

**HL7 and HEALTH LEVEL SEVEN are the registered trademarks of Health Level Seven International.**

### 3.1.4.1 Normal Process of a Placer Order

725 The figure below shows the flow of messages in the normal process of a placer order, from placing of the order by the Order Placer, to the "order completed" event notified by the Order Filler.

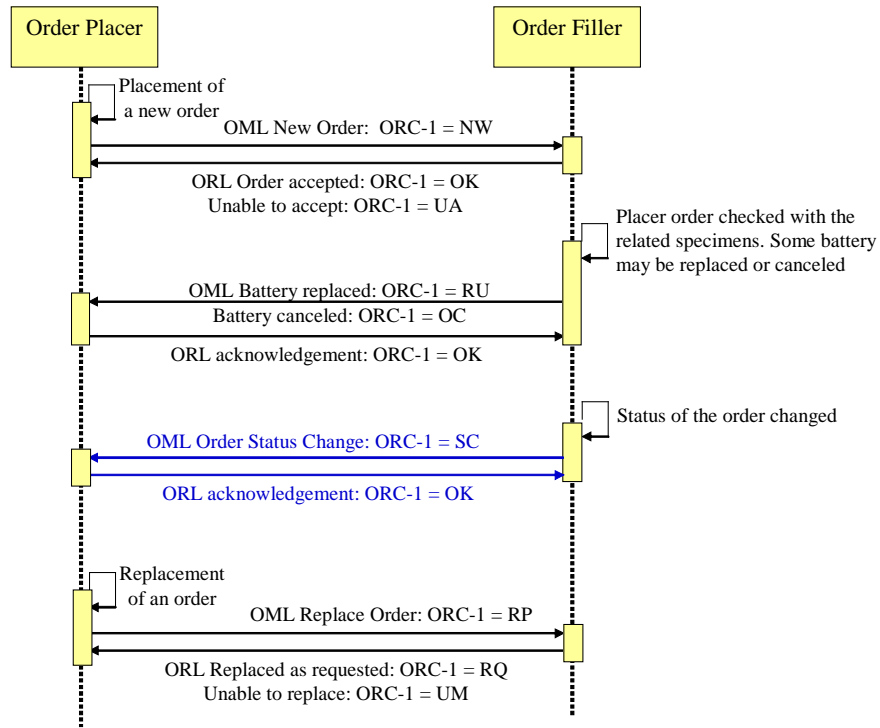


Figure 3.1.4.1-1: Normal process of a placer order

### 3.1.4.2 Cancellation of an Order by the Order Placer

730

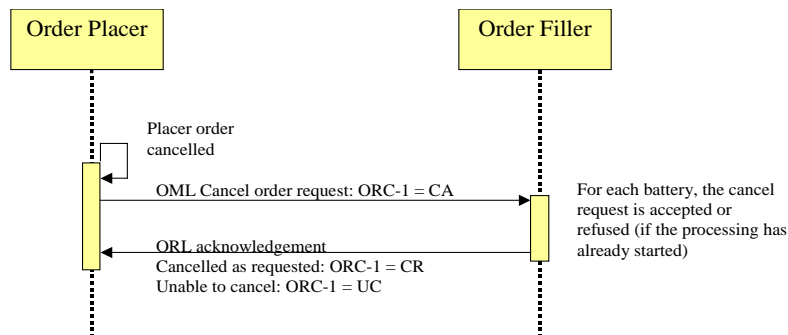


Figure 3.1.4.2-1: Cancellation of an order by the Order Placer

HL7 and HEALTH LEVEL SEVEN are the registered trademarks of Health Level Seven International.

The Order Filler accepts the cancellation only if the processing has not started yet, particularly if no work order has been sent to the Automation Manager (through transaction LAB-4).

### 735 3.1.4.3 Cancellation of an Order Initiated by the Order Filler

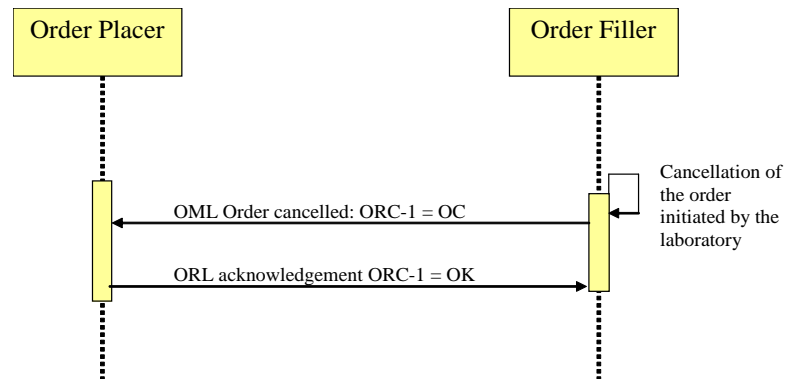


Figure 3.1.4.3-1: Cancellation by Order Filler

## 3.1.5 Messages Static Definitions

### 740 3.1.5.1 Available HL7 2.5 Structures for OML Message

HL7 v2.5 chapter 4, offers three different message structures for the OML message type:

- 745 • **OML^O21^OML\_O21: laboratory order message.** This is a battery-centric structure: It contains a list of ordered batteries, a list of specimens underneath each battery, and a list of containers underneath each specimen. This structure implies duplication of specimen/container information whenever two batteries use the same specimen. It is more appropriate for ordering batteries that need several specimens (e.g., creatinine clearance, glucose tolerance test).
- 750 • **OML^O33^OML\_O33: Laboratory order for multiple orders related to a single specimen.** This is a specimen-centric structure providing for each specimen a list of containers and a list of batteries (ORC/OBR segment groups) using this specimen. The batteries are not related to the containers.
- 755 • **OML^O35^OML\_O35: Laboratory order for multiple orders related to a single container of a specimen.** This message structure provides for each specimen a list of containers, and for each container the list of batteries that are to be performed on that container. This structure is more appropriate when the ordered batteries are sorted by container.

HL7 and HEALTH LEVEL SEVEN are the registered trademarks of Health Level Seven International.

### 3.1.5.2 Restrictions on OML Message for Transaction LAB-1

The Laboratory Technical Framework supports the three message structures defined above, and makes the following restrictions for transaction LAB-1:

- 760 • LAB-1 carries all clinical observations provided by the Care Unit, such as allergy, therapy, diagnosis, temperature, urine volume, blood pressure, within observation segments (OBX) that accompany the order. This choice has been made to simplify the building and parsing of the messages. All these specific patient observations are sent in the OML message, in OBX segments.
- 765 • LAB-1 restrains timing/quantity to one execution per order. The main reason for this choice is:
  - 770 • The only operation that would have needed the iteration features provided by the segment TQ1 is the specimen collection. In this Laboratory Integration Profile this operation is not triggered by any message: It is an internal operation performed within the Order Placer Actor or the Order Filler Actor, depending on the organization. All orders sent to laboratories require one single execution, even the studies based on a temporal series of specimens. For example a serum glucose tolerance study is an atomic order to be performed once, taking into account all the specimens to be tested.

### 3.1.5.3 OML^O21 Static Definition

775

**Table 3.1.5.3-1: OML^O21 static definition for transaction LAB-1**

Segment	Meaning	Usage	Card.	HL7 chapter
MSH	Message Header	R	[1..1]	2
[	--- PATIENT begin	RE	[0..1]	
PID	Patient Identification	R	[1..1]	3
[	--- PATIENT_VISIT begin	RE	[0..1]	
PV1	Patient Visit	R	[1..1]	3
]	--- PATIENT_VISIT end			
]	--- PATIENT end			
{	--- ORDER begin	R	[1..*]	
ORC	Common Order (for one battery)	R	[1..1]	4
[ {	--- TIMING begin	RE	[0..1]	
TQ1	Timing Quantity	R	[1..1]	4
} ]	--- TIMING end			
	--- OBSERVATION REQUEST begin	R	[1..1]	
OBR	Observation Request	R	[1..1]	4
{ [NTE] }	Notes and Comments	O	[0..*]	2
[ {	--- OBSERVATION begin	O	[0..*]	

**HL7 and HEALTH LEVEL SEVEN are the registered trademarks of Health Level Seven International.**

Segment	Meaning	Usage	Card.	HL7 chapter
OBX	Observation Result	R	[1..1]	7
[ {NTE} ]	Comment of the result	O	[0..*]	2
}]	--- OBSERVATION end			
[ {	--- SPECIMEN begin	O	[0..*]	
SPM	Specimen	R	[1..1]	7
[ {SAC} ]	Container	RE	[0..*]	13
}]	--- SPECIMEN end			
[ {	--- PRIOR_RESULT begin	O	[0..*]	
PV1	Patient Visit – previous result	R	[1..1]	3
{	--- ORDER_PRIOR begin	R	[1..*]	
ORC	Common Order - previous result	R	[1..1]	4
OBR	Order Detail - previous result	R	[1..1]	4
{ [NTE] }	Notes and Comments - previous result	O	[0..*]	2
{	--- OBSERVATION_PRIOR begin	R	[1..*]	
OBX	Observation/Result - previous result	R	[1..1]	7
{ [NTE] }	Notes and Comments - previous result	O	[0..*]	2
}	--- OBSERVATION_PRIOR end			
}	--- ORDER_PRIOR end			
]}	--- PRIOR_RESULT end			
	--- OBSERVATION REQUEST end			
}	--- ORDER end			

Field MSH-9 - Message Type (MSG) shall have its three components respectively valued to “OML”, “O21” and “OML\_O21”.

780 The triplet (ORC, TQ1, OBR) represents the Order (i.e., an ordered battery/test). In case of an Order Group, this triplet is repeated as many times as there are Orders in the Order Group.

The OBSERVATION repeatable segment group carries the observations provided by the orderer (patient temperature, blood pressure, weight, etc.) with eventual comments (NTE).

The PRIOR RESULT segment group provides the prior results obtained for the same patient.

785 Segment PID is not provided in this segment group because it is the same patient, and the laboratory is not concerned by the fact that this patient might have had a different identification when the prior results were produced.

Segment PV1, which is the first segment of the segment group PRIOR RESULT, is mandatory.

790 The presence of this segment at this point in the message structure announces unambiguously a set of prior orders with related prior observations. The segment PV1 represents the patient visit (or encounter) during which these prior observations were produced. The only field mandatory in the segment PV1 is PV1-2 “Patient Class” (as shown in Volume 2x, Appendix C). If the sender

**HL7 and HEALTH LEVEL SEVEN are the registered trademarks of Health Level Seven International.**

of this message does not know the patient class, it SHALL value the field PV1-2 “U”, which stands for “patient class unknown”.

795 The ORC appearing in the PRIOR RESULT segment group is mandatory and SHALL have its first field “Order Control” populated with “PR” (Prior results).

The SAC segment should be used only to provide information specific of that segment, i.e., having no placeholder in the SPM segment.

### 3.1.5.4 ORL^O22 Static Definition

800

**Table 3.1.5.4-1: ORL^O22 Message**

Segment	Meaning	Usage	Card.	HL7 chapter
MSH	Message header	R	[1..1]	2
MSA	Message Acknowledgement	R	[1..1]	2
[ {ERR} ]	Error	C	[0..*]	2
[	--- RESPONSE begin	C	[0..1]	
[	--- PATIENT begin	R	[1..1]	
[ PID ]	Patient Identification	O	[0..1]	3
{	--- ORDER begin	R	[1..*]	
ORC	Common Order	R	[1..*]	4
[ {	--- TIMING begin	RE	[0..1]	
TQ1	Timing/Quantity	R	[1..1]	4
}]	--- TIMING end			
	--- OBSERVATION REQUEST begin	R	[1..1]	
OBR	Observation Request	R	[1..1]	4
[ {	--- SPECIMEN begin	O	[0..1]	
SPM	Specimen	R	[1..1]	7
[ {SAC} ]	Specimen Container Details	O	[0..*]	7
}]	--- SPECIMEN end			
	--- OBSERVATION REQUEST end			
}	--- ORDER end			
]	--- PATIENT end			
]	--- RESPONSE end			

MSH-9 - Message Type (MSG) shall have its three components respectively valued to “ORL”, “O22” and “ORL\_O22”.

805 The ERR segment shall be used in case of negative acknowledgement (when MSA-1 = AE or AR).

The RESPONSE segment group is mandatory unless in case of error (MSA-1 = AE or AR). This segment group carries the response of the Order Filler in the segments ORC and OBR.

**HL7 and HEALTH LEVEL SEVEN are the registered trademarks of Health Level Seven International.**

The mandatory ORC and OBR segments in the repeatable ORDER segment group provide the response of the Order Filler for each order, in particular the ORC-1 Order Control field.

810 **3.1.5.5 OML^O33 Static Definition**

**Table 3.1.5.5-1: OML^O33**

Segment	Meaning	Usage	Card.	HL7
MSH	Message Header	R	[1..1]	2
[	--- PATIENT begin	RE	[0..1]	
PID	Patient Identification	R	[1..1]	3
[	--- PATIENT_VISIT begin	RE	[0..1]	
PV1	Patient Visit	R	[1..1]	3
]	--- PATIENT_VISIT end	RE	[0..1]	
]	--- PATIENT end			
{	--- SPECIMEN begin	R	[1..*]	
SPM	Specimen	R	[1..*]	7
[ {SAC} ]	Specimen Container	RE	[0..*]	13
{	--- ORDER begin	R	[1..*]	
ORC	Common Order (for one battery)	R	[1..*]	4
[	--- TIMING begin	RE	[0..1]	
TQ1	Timing Quantity	R	[1..1]	4
]	--- TIMING end	RE	[0..1]	
	--- OBSERVATION REQUEST begin	R	[1..1]	
OBR	Observation Request	R	[1..1]	4
[ {	--- OBSERVATION begin	O	[0..*]	
OBX	Observation Result	R	[1..1]	7
[ {NTE} ]	Notes and comments for result	C	[0..1]	
}]	--- OBSERVATION end			
[ {	--- PRIOR RESULT begin	O	[0..*]	
PV1	Patient Visit – previous result	R	[1..1]	3
{	--- ORDER PRIOR begin	R	[1*]	
ORC	Common order – previous result	R	[1..1]	4
OBR	Order detail – previous result	R	[1..1]	4
{	--- OBSERVATION PRIOR begin	R	[1..*]	
OBX	Observation/Result – previous result	R	[1..1]	
[ {NTE} ]	Comment of the result	O	[0..*]	2
}	--- OBSERVATION PRIOR end			
}	--- ORDER PRIOR end			
}]	--- PRIOR RESULT end			

**HL7 and HEALTH LEVEL SEVEN are the registered trademarks of Health Level Seven International.**



Segment	Meaning	Usage	Card.	HL7
	--- OBSERVATION REQUEST end			
}	--- ORDER end			
}	--- SPECIMEN end			

815 MSH-9 - Message Type (MSG) shall have its three components respectively valued to “OML”, “O33”, and “OML\_O33”.

The conditions on the OBSERVATION segment group are the same as for OML^O21.

820 The SAC segment should be used only to provide information specific of that segment, i.e., having no placeholder in the SPM segment. The PRIOR RESULT segment group provides the prior results obtained for the same patient. Segment PID is not provided in this segment group because it is the same patient, and the laboratory is not concerned by the fact that this patient might have had a different identification when the prior results were produced.

825 Segment PV1, which is the first segment of the segment group PRIOR RESULT, is mandatory. The presence of this segment at this point in the message structure announces unambiguously a set of prior orders with related prior observations. The segment PV1 represents the patient visit (or encounter) during which these prior observations were produced. The only field mandatory in the segment PV1 is PV1-2 “Patient Class” (as shown in Volume 2x, Appendix C). If the sender of this message does not know the patient class, it SHALL value the field PV1-2 “U”, which stands for “patient class unknown”.

830 The ORC appearing in the PRIOR RESULT segment group is mandatory and SHALL have its first field “Order Control” populated with “PR” (Prior results).

### 3.1.5.6 ORL^O34 Static Definition

Table 3.1.5.6-1: ORL^O34

Segment	Meaning	Usage	Card.	HL7 chapter
MSH	Message header	R	[1..1]	2
MSA	Message Acknowledgement	R	[1..1]	2
[ {ERR} ]	Error	O	[0..*]	2
[	--- RESPONSE begin	C	[0..1]	
[	--- PATIENT begin	R	[1..1]	
[ PID ]	Patient Identification	O	[0..1]	3
{	--- SPECIMEN begin	R	[1..*]	
SPM	Specimen	R	[1..1]	7
[ {SAC} ]	Specimen Container	O	[0..*]	13
{	--- ORDER begin	R	[1..*]	

**HL7 and HEALTH LEVEL SEVEN are the registered trademarks of Health Level Seven International.**

Segment	Meaning	Usage	Card.	HL7 chapter
ORC	Common Order	R	[1..1]	4
[ {	--- TIMING begin	RE	[0..1]	
TQ1	Timing/Quantity	R	[1..1]	4
} ]	--- TIMING end	RE	[0..1]	
OBR	Observation Request	R	[1..1]	4
}	--- ORDER end			
}	--- SPECIMEN end			
]	--- PATIENT end			
]	--- RESPONSE end			

835 MSH-9 - Message Type (MSG) shall have its three components respectively valued to “ORL”, “O34” and “ORL\_O34”.

The RESPONSE segment group is mandatory unless in case of error (MSA-1 = AE or AR). This segment group carries the response of the Order Filler in the segments ORC and OBR.

840 The mandatory ORC and OBR segments in the repeatable ORDER segment group provide the response of the Order Filler for each order, in particular the ORC-1 Order Control field.

### 3.1.5.7 OML^O35 Static Definition

Table 3.1.5.7-1: OML^O35 static definition for transaction LAB-1

Segment	Meaning	Usage	Card	HL7
MSH	Message Header	R	[1..1]	2
[	--- PATIENT begin	RE	[0..1]	
PID	Patient Identification	R	[1..1]	3
[	--- PATIENT_VISIT begin		[0..1]	
PV1	Patient Visit	R	[1..1]	3
]	--- PATIENT_VISIT end			
]	--- PATIENT end			
{	--- SPECIMEN begin	R	[1..*]	
SPM	Specimen	R	[1..1]	7
{	--- CONTAINER begin	R	[1..*]	
SAC	Container detail	R	[1..1]	13
{	--- ORDER begin	R	[1..*]	
ORC	Common Order (for one battery)	R	[1..1]	4
[ {	--- TIMING begin	RE	[0..1]	
TQ1	Timing Quantity	R	[1..1]	4
} ]	--- TIMING end			

**HL7 and HEALTH LEVEL SEVEN are the registered trademarks of Health Level Seven International.**

Segment	Meaning	Usage	Card	HL7
	--- OBSERVATION REQUEST begin	R	[1..1]	
OBR	Observation Request	R	[1..1]	4
[ {	--- OBSERVATION begin	O	[0..*]	
OBX	Observation Result	R	[1..*]	7
[ {NTE} ]	Comment of the result	C	[0..*]	2
}]	--- OBSERVATION end			
[ {	--- PRIOR_RESULT begin	O	[0..*]	
PV1	Patient Visit – previous result	R	[1..1]	3
{	--- ORDER_PRIOR begin	R	[1..*]	
ORC	Common Order - previous result	R	[1..1]	4
OBR	Order Detail - previous result	R	[1..1]	4
{[NTE]}	Notes and Comments - previous result	O	[0..*]	2
{	--- OBSERVATION_PRIOR begin	R	[1..*]	
OBX	Observation/Result - previous result	R	[1..1]	7
{[NTE]}	Notes and Comments - previous result	O	[0..*]	2
}	--- OBSERVATION_PRIOR end			
}	--- ORDER_PRIOR end			
}]	--- PRIOR_RESULT end			
	--- OBSERVATION REQUEST end			
}	--- ORDER end			
}	--- CONTAINER end			
}	--- SPECIMEN end			

845 Field MSH-9 - Message Type (MSG) shall have its three components respectively valued to “OML”, “O35” and “OML\_O35”.

The conditions on the OBSERVATION segment group are the same as for message OML^O21.

The SAC segment below the SPM segment is mandatory in OML^O35 message structure.

The PRIOR RESULT segment group provides the prior results obtained for the same patient.

850 Segment PID is not provided in this segment group because it is the same patient, and the laboratory is not concerned by the fact that this patient might have had a different identification when the prior results were produced.

Segment PV1, which is the first segment of the segment group PRIOR RESULT, is mandatory.

855 The presence of this segment at this point in the message structure announces unambiguously a set of prior orders with related prior observations. The segment PV1 represents the patient visit (or encounter) during which these prior observations were produced. The only field mandatory in the segment PV1 is PV1-2 “Patient Class” (as shown in section Volume 2x, Appendix C). If the

**HL7 and HEALTH LEVEL SEVEN are the registered trademarks of Health Level Seven International.**

sender of this message does not know the patient class, it SHALL value the field PV1-2 “U”, which stands for “patient class unknown”.

860 The ORC appearing in the PRIOR RESULT segment group is mandatory and SHALL have its first field “Order Control” populated with “PR” (Prior results).

### 3.1.5.8 ORL^O36 Static Definition

**Table 3.1.5.8-1: ORL^O36**

Segment	Meaning	Usage	Card.	HL7
MSH	Message header	R	[1..1]	2
MSA	Message Acknowledgement	R	[1..1]	2
[ {ERR} ]	Error	C	[0..*]	2
[	--- RESPONSE begin	C	[0..1]	
[	--- PATIENT begin	R	[1..1]	
PID	Patient Identification	O	[0..1]	3
{	--- SPECIMEN begin			
SPM	Specimen	R	[1..*]	7
{	--- CONTAINER begin	R	[1..*]	
SAC	Specimen Container	R	[1..1]	13
{	--- ORDER begin	R	[1..*]	
ORC	Common Order	R	[1..*]	4
[ {	--- TIMING begin	RE	[0..1]	
TQ1	Timing/Quantity	R	[1..1]	4
] ]	--- TIMING end			
OBR	Observation Request	R	[1..1]	4
}	--- ORDER end			
}	--- CONTAINER end			
}	--- SPECIMEN end			
]	--- PATIENT end			
]	--- RESPONSE end			

865 MSH-9 - Message Type (MSG) shall have its three components respectively valued to “ORL”, “O36” and “ORL\_O36”.

The RESPONSE segment group is mandatory unless in case of error (MSA-1 = AE or AR). This segment group carries the response of the Order Filler in the segments ORC and OBR.

870 The mandatory ORC and OBR segments in the repeatable ORDER segment group provide the response of the Order Filler for each order, in particular the ORC-1 Order Control field.

**HL7 and HEALTH LEVEL SEVEN are the registered trademarks of Health Level Seven International.**

**3.1.5.9 Specific Segments Description for Transaction LAB-1****3.1.5.9.1OBR - Observation Request Segment**

HL7 v2.5: chapter 4 (4.5.3)

875

**Table 3.1.5.9-1: OBR - Observation Request Segment**

SEQ	LE N	DT	Usage	Card.	TBL #	ITEM#	Element name
2	22	EI	R	[1..1]		00216	Placer Order Number
3	22	EI	RE	[0..1]		00217	Filler Order Number
4	250	CE	R	[1..1]		00238	Universal Service Identifier
5	2	ID	X	[0..0]		00239	Priority – OBR
6	26	TS	X	[0..0]		00240	Requested Date/Time
7	26	TS	C	[0..1]		00241	Observation Date/Time #
8	26	TS	X	[0..0]		00242	Observation End Date/Time #
9	20	CQ	X	[0..0]		00243	Collection Volume *
10	250	XCN	RE	[0..*]		00244	Collector Identifier *
11	1	ID	RE	[0..1]	0065	00245	Specimen Action Code *
12	250	CE	X	[0..0]		00246	Danger Code
13	300	ST	X	[0..0]		00247	Relevant Clinical Information
14	26	TS	X	[0..0]		00248	Specimen Received Date/Time *
15	300	SPS	X	[0..0]		00249	Specimen Source
16	250	XCN	R	[1..1]		00226	Ordering Provider
17	250	XTN	RE	[0..2]		00250	Order Callback Phone Number
18	60	ST	X	[0..0]		00251	Placer Field 1
19	60	ST	X	[0..0]		00252	Placer Field 2
20	60	ST	X	[0..0]		00253	Filler Field 1 +
21	60	ST	X	[0..0]		00254	Filler Field 2 +
22	26	TS	X	[0..0]		00255	Results Rpt/Status Chng - Date/Time +
23	40	MOC	X	[0..0]		00256	Charge to Practice +
24	10	ID	C	[0..1]	0074	00257	Diagnostic Serv Sect ID
25	1	ID	C	[0..1]	0123	00258	Result Status +
26	400	PRL	X	[0..0]		00259	Parent Result +
27	200	TQ	X	[0..0]		00221	Quantity/Timing
28	250	XCN	RE	[0..*]		00260	Result Copies To
29	200	EIP	X	[0..0]		00261	Parent
30	20	ID	X	[0..0]	0124	00262	Transportation Mode
37	4	NM	X	[0..1]		01028	Number of Sample Containers *
40	250	CE	X	[0..0]		01031	Transport Arrangement Responsibility

**HL7 and HEALTH LEVEL SEVEN are the registered trademarks of Health Level Seven International.**

SEQ	LE N	DT	Usage	Card.	TBL #	ITEM#	Element name
41	30	ID	X	[0..0]	0224	01032	Transport Arranged
42	1	ID	X	[0..0]	0225	01033	Escort Required
43	250	CE	X	[0..0]		01034	Planned Patient Transport Comment
48	250	CWE	X	[0..0]	0476	01646	Medically Necessary Duplicate Procedure Reason.

OBR-2 Placer Order Number (EI), required in transaction LAB-1.

Each ordered battery/test should be assigned to a unique Order, identified by a unique Placer Order Number. The same identifier will never be used twice by the Order Placer. The Placer Order Number is generated by the Order Placer Actor and should be unique across all OBR segments across all messages. Please refer to Section 2.4.6.1 for the details of the data type.

OBR-3 Filler Order Number (EI), required if available.

Each Order should be assigned a unique Filler Order Number by the Order Filler Actor. The same identifier will never be used twice by the Order Filler. The filler order number generated by the Order Filler should be unique across all OBR segments across all messages. Please refer to Section 2.4.6.1 for the details of the data type.

OBR-4 Universal Service Identifier (CE), required.

This field contains one ordered battery or test. A battery is composed of one or more tests or batteries.

Additionally, when the “Report Facsimile For Order Group” Option is activated, when placing an Order Group, the Order Placer MAY request this service in an extra (ORC/OBR) segment group. In that case this requested service SHALL be identified in this field using either the LOINC code: 11502-2^ LABORATORY REPORT.TOTAL^LN or one of the LOINC codes for laboratory specialties listed in LAB TF-3: Table 2.3.4.1.1-1. For instance, the request for a microbiology report facsimile shall populate OBR-4 with: 18725-2^ MICROBIOLOGY STUDIES^LN

OBR-5 Priority and OBR-6 Requested Date/Time are not supported. See TQ1 segment.

Condition predicate for OBR-7: this field is a copy of SPM-17.1. The information is provided when the placer of the order knows the time of the specimen collection.

OBR-8, OBR-12, OBR-14, OBR-15 are not supported. See SPM segment that supersedes them.

OBR-10 Collector Identifier, required if available.

This repeatable field contains the specimen collectors’ identification.

OBR-11 Specimen Action Code (ID), required if available.

The value of this field is dependent on the use case as described in Volume 1.

**HL7 and HEALTH LEVEL SEVEN are the registered trademarks of Health Level Seven International.**

905 The field identifies the action to be taken with respect to the specimens that accompany or precede this order. The purpose of this field is to further qualify (when appropriate) the general action indicated by the order control code contained in the accompanying ORC segment.

HL7 Table 0065 - Specimen Action Code gives the valid values:

**HL7 Table 0065 - Specimen Action Code**

Value	Description	Comment
A	Add ordered tests to the existing specimen	
G	Generated order; reflex order	
L	Lab to obtain specimen from patient	
O	Specimen obtained by service other than Lab	
P	Pending specimen; Order sent prior to delivery	
R	Revised order	
S	Schedule the tests specified below	

910

OBR-13 Relevant Clinical information (ST), not supported.

Transaction LAB-1 uses OBX segment to carry relevant clinical information, or a NTE segment below the OBR for more comment orientated information.

OBR-16 Ordering Provider (XCN), required.

915 OBR-17 Order Callback Phone Number (XTN), required if available.

HL7 definition: This field contains the telephone number for reporting a status or a result using the standard format with extension and/or beeper number when applicable.

One or two phone numbers.

920 OBR-22 Results Rpt/Status Chng - Date/Time (TS), not used in LAB-1: OBR-22 is related to the RESULT, not to the ORDER. OBR-22 is related to OBR-25. ORC-9 contains the date/time of the latest status change of the ORDER.

OBR-24 Diagnostic Serv Sect ID (ID), conditional

925 Condition predicate: This field may be valued in OML messages sent by the Order Filler. In other words this field is RE for the Order Filler Actor. The valid values are defined in HL7 Table 0074 - Diagnostic Service Section ID. The table below presents a subset of these valid values as identified in Volume 1.

**HL7 Table 0074 - Diagnostic Service Section ID (subset)**

Value	Description	Addressed by Laboratory TF 2003 - 2004
BG	Blood Gases	Yes

<p><b>HL7 and HEALTH LEVEL SEVEN are the registered trademarks of Health Level Seven International.</b></p>
---

Value	Description	Addressed by Laboratory TF 2003 - 2004
CH	Chemistry	Yes
CP	Cytopathology	
HM	Hematology	Yes
IMM	Immunology	Yes
LAB	Laboratory	Yes
MB	Microbiology	Yes
MCB	Mycobacteriology	Yes
MYC	Mycology	Yes
OSL	Outside Lab	
SR	Serology	Yes
TX	Toxicology	Yes
VR	Virology	Yes

930 OBR-25 Order Result Status (ID), Conditional.

Condition predicate: This field shall not be filled in messages sent by the Order Placer. This field shall be filled in messages sent by the Order Filler, according to HL7 Table 0123 described in Chapter 7 of HL7. In this version of the Laboratory Technical Version, the possible values for this field are a subset of this table:

935

**HL7 Table 0123 - Result Status**

Value	Description	Comment
O	Order received; specimen not yet received	
I	No results available; specimen received, procedure incomplete	
S	No results available; procedure scheduled, but not done	
R	Results stored; not yet verified	
P	Preliminary: A verified early result is available, final results not yet obtained	
F	Final results; results stored and verified. Can only be changed with a corrected result.	
C	Correction to results	
X	No results available. Order canceled	

Note: For the conditions of use of these values, please read Appendix C in Volume 2x: "Correlations of status between ORC, OBR and OBX".

940 OBR-28 Result Copies To (XCN), required if available.

**HL7 and HEALTH LEVEL SEVEN are the registered trademarks of Health Level Seven International.**



HL7 Definition: This field identifies the people who are to receive copies of the results. By local convention, either the ID number or the name may be absent.

The Order Placer shall fill this field when it sends a new order for which there are persons or care units declared for receiving a copy of the results.

945

**HL7 and HEALTH LEVEL SEVEN are the registered trademarks of Health Level Seven International.**

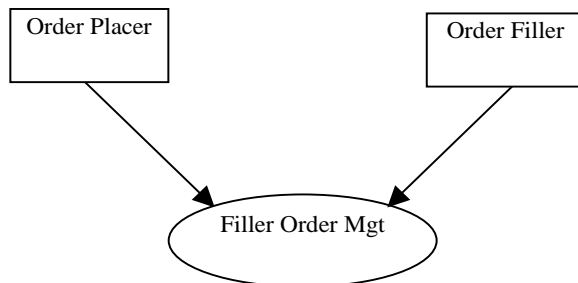
## 3.2 Filler Order Management (LAB-2)

### 3.2.1 Scope

This transaction is supporting the general use case “*Filler order with specimens identified by third party or collected by the laboratory*” described in LAB TF-1:4.2.3.

950 This transaction is used by the Order Filler to inform the Order Placer that a new Order, standalone or embedded in an existing Order Group, has been generated on the laboratory side. By this transaction, the Order Filler Actor requests the Order Placer to assign a unique Placer Order Number to this new Order. The Order contains a battery or a test to be performed by the laboratory, using biological specimens collected from the subject.

### 955 3.2.2 Use Case Roles



**Actor:** Order Placer

**Roles:** Receives filler orders. Notifies the Order Filler of acceptance or refusal. Notifies the Order Filler of the placer order number if the filler order was accepted.

**Actor:** Order Filler

**Roles:** Notifies filler orders to the Order Placer. Receives acceptance or rejection from the Order Placer. Receives the Placer Order Number from the Order Placer if the Order was accepted.

### 3.2.3 Referenced Standards

965 HL7 version 2.5:

- Chapter 2: "Control" --> generic segments and data types
- Chapter 3: "ADT" --> PID and PV1 segments
- Chapter 4: "Order Entry" --> OML and ORL messages
- Chapter 7: "Observation Reporting" --> SPM segment
- 970 • Chapter 13: "Clinical Laboratory Automation" --> SAC segment

<b>HL7 and HEALTH LEVEL SEVEN are the registered trademarks of Health Level Seven International.</b>
--

### 3.2.4 Interaction Diagrams

Trigger events: In all interactions below, the initiator chooses the best OML message structure appropriate to its orders. The responder SHALL respond with the related ORL message structure:

- 975 OML^O21 → ORL^O22
- OML^O33 → ORL^O34
- OML^O35 → ORL^O36

An OML message shall be responded to with exactly 1 ORL message.

ORL messages SHALL be created by the Order Placer application, and not by a message broker.

- 980 The message broker (an intermediary between the Order Filler and the Order Placer) has no knowledge of the tests being requested and can't assign identification numbers on behalf of the Order Placer.

#### 3.2.4.1 Process of a Filler Order

The figure below shows the flow of messages in the normal process of a filler order. A Filler Order is placed, and responded to by either a rejection or acceptance.

985

Note that the creation of a filler order may be triggered by a prior placer order, e.g., if the results of one of the previously ordered tests triggers the laboratory to perform additional tests. The creation of a filler order could also happen during the quality control performed by the laboratory on a new order received from the Order Placer: the laboratory may then decide that some extra battery that was not ordered should be added, e.g., regarding the pathology context.

990

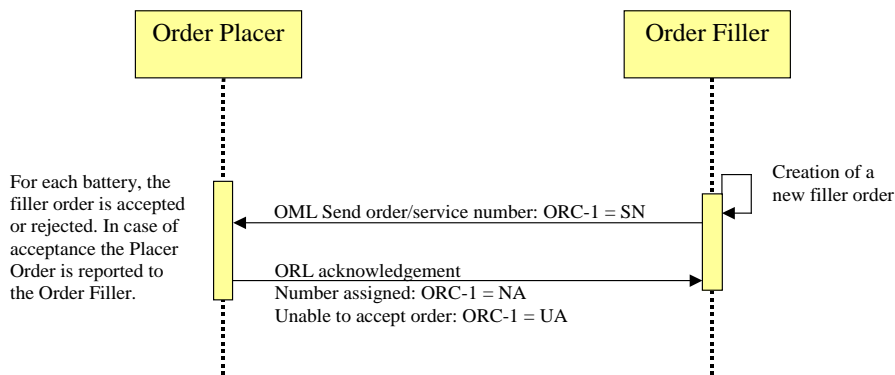


Figure 3.2.4.1-1: Process of a filler order

### 995 3.2.5 Messages Static Definitions

HL7 and HEALTH LEVEL SEVEN are the registered trademarks of Health Level Seven International.

**3.2.5.1 Restrictions on OML Messages for Transaction LAB-2**

Transaction LAB-2 allows all message types used by transaction LAB-1. See paragraph 4.5.1 for a detailed description.

1000 The following restriction is made for transaction LAB-2: Timing/quantity is limited to one instance per order (i.e., there is one iteration of the TQ1 segment related to an OBR). The main reason for this choice is that collecting the specimens is not delegated to a separate actor in this cycle of the IHE Laboratory Technical Framework. The collection process is part of either the Order Placer or the Order Filler. See the explanation given in LAB-1 section.

**3.2.5.2 OML and ORL Messages Static Definitions**

1005 The static definitions of the messages in LAB-2 are equal to the static definition for LAB-1. See paragraph 4.5.3 up to paragraph 4.5.8 for details.

**3.2.5.3 Specific Segments Description for Transaction LAB-2**

**3.2.5.3.1 OBR - Observation Request Segment**

HL7 v2.5: chapter 4 (4.5.3)

1010

**Table 3.2.5.3-1: OBR - Observation Request Segment**

SEQ	LEN	DT	Usage	Card.	TBL#	ITEM#	Element name
2	22	EI	C	[0..1]		00216	Placer Order Number
3	22	EI	R	[1..1]		00217	Filler Order Number
4	250	CE	R	[1..1]		00238	Universal Service Identifier
5	2	ID	X	[0..0]		00239	Priority – OBR
6	26	TS	X	[0..0]		00240	Requested Date/Time
7	26	TS	C	[0..1]		00241	Observation Date/Time #
8	26	TS	X	[0..0]		00242	Observation End Date/Time #
9	20	CQ	X	[0..0]		00243	Collection Volume *
10	250	XCN	RE	[0..*]		00244	Collector Identifier *
11	1	ID	RE	[0..1]	0065	00245	Specimen Action Code *
12	250	CE	X	[0..0]		00246	Danger Code
13	300	ST	X	[0..0]		00247	Relevant Clinical Information
14	26	TS	X	[0..0]		00248	Specimen Received Date/Time *
15	300	SPS	X	[0..0]		00249	Specimen Source
16	250	XCN	RE	[0..1]		00226	Ordering Provider
17	250	XTN	RE	[0..2]		00250	Order Callback Phone Number
18	60	ST	X	[0..0]		00251	Placer Field 1
19	60	ST	X	[0..0]		00252	Placer Field 2
20	60	ST	X	[0..0]		00253	Filler Field 1 +

**HL7 and HEALTH LEVEL SEVEN are the registered trademarks of Health Level Seven International.**

SEQ	LEN	DT	Usage	Card.	TBL#	ITEM#	Element name
21	60	ST	X	[0..0]		00254	Filler Field 2 +
22	26	TS	X	[0..0]		00255	Results Rpt/Status Chng - Date/Time +
23	40	MOC	X	[0..0]		00256	Charge to Practice +
24	10	ID	RE	[0..1]	0074	00257	Diagnostic Serv Sect ID
25	1	ID	X	[0..0]	0123	00258	Result Status +
26	400	PRL	X	[0..0]		00259	Parent Result +
27	200	TQ	X	[0..0]		00221	Quantity/Timing
28	250	XCN	RE	[0..*]		00260	Result Copies To
29	200	EIP	X	[0..0]		00261	Parent
30	20	ID	X	[0..0]	0124	00262	Transportation Mode
37	4	NM	X	[0..1]		01028	Number of Sample Containers *
40	250	CE	X	[0..0]		01031	Transport Arrangement Responsibility
41	30	ID	X	[0..0]	0224	01032	Transport Arranged
42	1	ID	X	[0..0]	0225	01033	Escort Required
43	250	CE	X	[0..0]		01034	Planned Patient Transport Comment
48	250	CWE	X	[0..0]	<a href="#">0476</a>	01646	Medically Necessary Duplicate Procedure Reason.

OBR-2 Placer Order Number (EI), conditional.

1015 Condition predicate: Used only in the ORL message sent back by the Order Placer to acknowledge an accepted filler order. In that case ORC-1 = “NA” (number assigned). Not used in OML messages of LAB-2.

OBR-3 Filler Order Number (EI), required.

1020 Note that all batteries/tests contained in the filler order should be assigned a unique identifier. The same identifier will never be used twice. The filler order number should be unique across all OBR segments across all messages ever sent by the order filler. Please refer to Section 2.4.6.1 for the details of the data type.

OBR-4 Universal Service Identifier (CE), required

This field contains one ordered battery or test. A battery is composed of one or more tests or one or more batteries.

1025 OBR-5 Priority and OBR-6 Requested Date/Time

These two fields are not supported. See TQ1 segment.

Condition predicate for OBR-7: this field is a copy of SPM-17.1. The information is provided when the placer of the order knows the time of the specimen collection.

**HL7 and HEALTH LEVEL SEVEN are the registered trademarks of Health Level Seven International.**

1030 OBR-8, OBR-12, OBR-14, OBR-15 These fields are not supported. See SPM segment for fields that supersedes them.

OBR-10 Collector Identifier, required if available.

This repeatable field contains the specimen collectors' identification.

OBR-11 Specimen Action Code (ID), required if available.

The value of this field is dependent on the use case as described in volume 1.

1035 The field identifies the action to be taken with respect to the specimens that accompany or precede this order. The purpose of this field is to further qualify (when appropriate) the general action indicated by the order control code contained in the accompanying ORC segment.

HL7 Table 0065 - Specimen Action Code gives the valid values:

**HL7 Table 0065 - Specimen Action Code**

Value	Description	Comment
G	Generated order; filler order	

1040

OBR-13 Relevant Clinical information (ST), not supported.

Instead of OBR-13, transaction LAB-2 uses OBX segment to carry relevant clinical information, or a NTE segment below the OBR for more comment orientated information.

OBR-16 Ordering Provider (XCN), required if available.

1045 OBR-17 Order Callback Phone Number (XTN), required if available. One or two phone numbers.

OBR-24 Diagnostic Serv Sect ID (ID), required if available.

The valid values are defined in HL7 Table 0074 - Diagnostic Service Section ID. The table below presents a subset of these valid values as identified in volume 1.

1050

**HL7 Table 0074 - Diagnostic Service Section ID (subset)**

Value	Description	Addressed by Laboratory TF 2003 - 2004
BG	Blood Gases	Yes
CH	Chemistry	Yes
CP	Cytopathology	
HM	Hematology	Yes
IMM	Immunology	Yes
LAB	Laboratory	Yes
MB	Microbiology	Yes
MCB	Mycobacteriology	Yes

**HL7 and HEALTH LEVEL SEVEN are the registered trademarks of Health Level Seven International.**

MYC	Mycology	Yes
OSL	Outside Lab	
SR	Serology	Yes
TX	Toxicology	Yes
VR	Virology	Yes

OBR-28 Result Copies To (XCN), required if available.

1055 HL7 Definition: This field identifies the persons who are to receive copies of the results. By local convention, either the ID number or the name may be absent.

If there are known individuals or care units that should receive a copy of results related to this order, they should be listed here.

**HL7 and HEALTH LEVEL SEVEN are the registered trademarks of Health Level Seven International.**

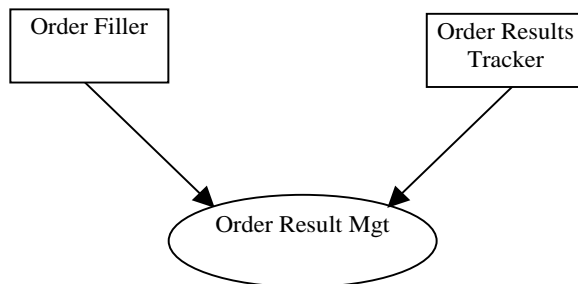
### 3.3 Order Results Management (LAB-3)

1060 **3.3.1 Scope**

This transaction notifies the Order Result Tracker of requested tests upon creation of an order or reception of a specimen in the laboratory. It transmits the observation results from the Order Filler to the Order Result Tracker, when a result is acquired, clinically validated, modified or deleted at the Order Filler level. Another goal of this transaction is to provide the Order Result Tracker with the complete sorted set of results related to an Order Group or to an Order. The Order Result Tracker shall store these results in the sorting order given by the Order Filler. In addition, if the “Report Facsimile For Order Group” Option is activated, this transaction MAY provide in the results messages related to an Order Group a PDF report built by the OF presenting the releasable results of this Order Group.

1065  
1070 In order to maintain consistency between order and result messages, the result messages of transaction T3 should refer to primary specimen even in the case where some of the observations are performed on secondary samples that are derived from primary specimen after specific preparation.

**3.3.2 Use Case Roles**



1075

**Actor:** Order Filler

**Roles:** Provides notification to the Order Result Tracker for specimen arrival, acquisition of technically validated results, clinical validation of results, modification/cancellation of results and deletion of tests. Provides the complete sorted set of results related to an Order Group or to an Order.

1080

In case the “Report Facsimile For Order Group” Option is in use, upon request from the OP the OF complements its results messages related to an Order Group and carrying some clinically validated results, with a link to the PDF report recapitulating the set of clinically validated results completed for this Order Group.

1085

**Actor:** Order Result Tracker

**HL7 and HEALTH LEVEL SEVEN are the registered trademarks of Health Level Seven International.**



1090 **Roles:** Receives test order and results from the Order Filler, gives access to this order and results to the healthcare enterprise, respects the sorting order of the results as received from the Order Filler. In case the “Report Facsimile For Order Group” Option is in use, when receiving a result message related to an Order Group providing a link to the PDF report, the ORT imports this PDF file immediately, and integrates it with the set of results received.

### 3.3.3 Referenced Standards

HL7 version 2.5:

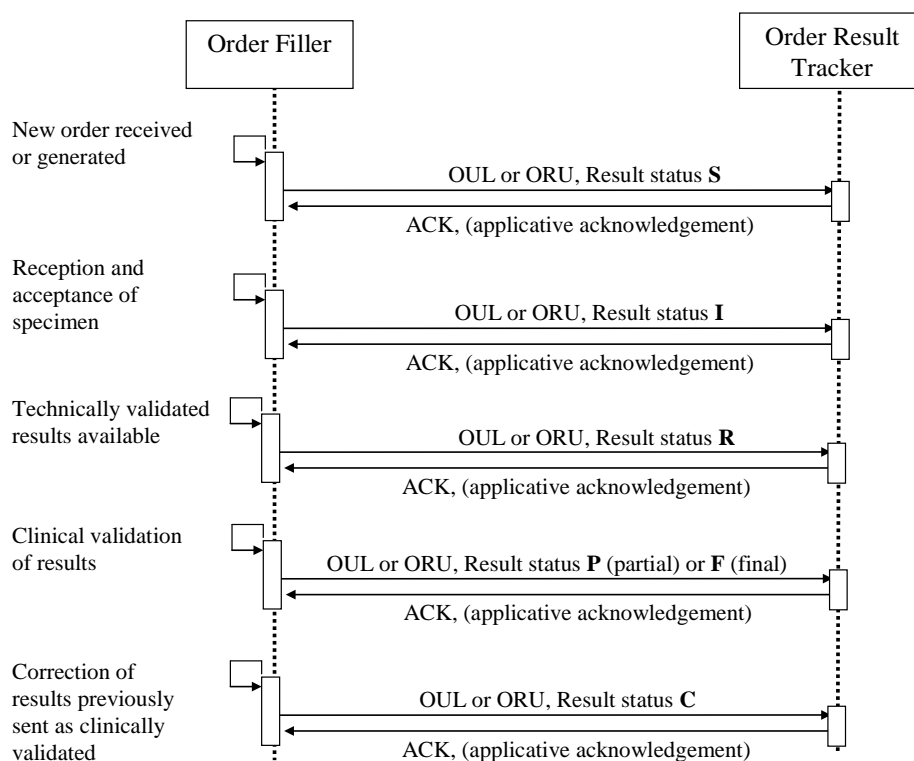
- Chapter 2: "Control" --> generic segments and data types
- Chapter 3: "Patient Administration" --> PID and PV1 segments
- 1095 • Chapter 4: "Order Entry" --> OBR segment
- Chapter 7: "Observation Reporting" --> OUL and ORU message structures

### 3.3.4 Interaction Diagrams

#### 3.3.4.1 Normal Process for Management of Results of a Filler Order

1100 The figures below show the flow of messages that occurs during normal process of a filler order, from the reception of specimen or entry of the order in the laboratory, up to the completion of this order and visualization of results by an end user on the Order Result Tracker. For each triggering event of an OUL or ORU message, the value of the result status of the OBR (OBR-25) is indicated.

<p><b>HL7 and HEALTH LEVEL SEVEN are the registered trademarks of Health Level Seven International.</b></p>
---



1105

**Figure 3.3.4.1-1: Normal process for management of results of a filler order**

The first interaction appearing in this diagram is triggered by the accession of the Order or of the Order Group by the Order Filler application. The Order Result Status (OBR-25) is valued:

- "S" (Scheduled) if the specimen is not received or collected yet.
- "I" if the specimen is available in lab.

1110

In this first message, the date/time of transaction for the Order (ORC-9) is a good approximation of the date/time of accession of the Order by the Order Filler application. For an Order Group identified by ORC-4 and comprising several orders, the minimum value of all ORC-9 in the corresponding ORC segments is the approximation of the date/time of accession of the Order Group by the Order Filler application.

1115

The decision whether to deliver or not technically validated results (using OBR-25 "Result Status" "R") to the Order Result Tracker is driven by organization rules specific to each healthcare enterprise. These rules may take account of the order priority (TQ1-9), the ordering provider, the particular ordered battery, the executing laboratory, the observation result itself...

1120

The IHE Laboratory Technical Framework does not make any assertion on these rules. It only states that an Order Filler MUST be able to send all the result statuses mentioned in the above

**HL7 and HEALTH LEVEL SEVEN are the registered trademarks of Health Level Seven International.**

diagram, and doing so, MUST conform to the correlation diagrams and transition diagrams presented in Appendix C of Volume 2x.

1125 The same remark applies to the sending of partial clinically validated results (using OBR-25 “Result Status” “P”).

### 3.3.4.2 Deletion of Battery/Test in a Filler Order

At any time during the process, an ordered test/battery of the order can be deleted from the filler order by the laboratory, which should trigger a message to the Order Result Tracker, with OBR-25 “Result Status” set to “X” for this particular Order, as shown below.

1130

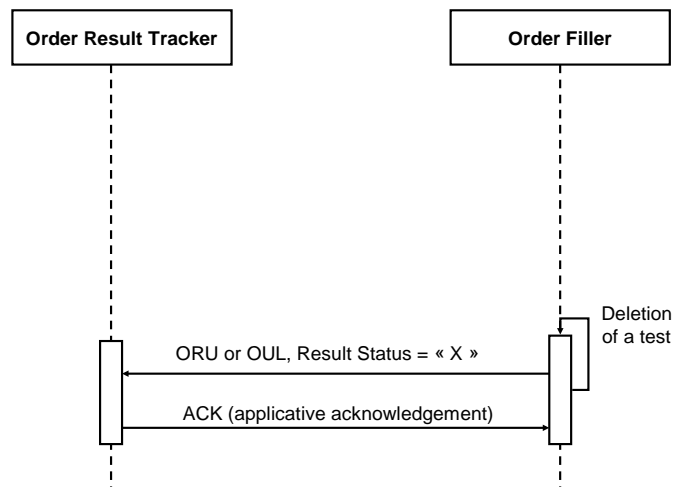


Figure 3.3.4.2-1: Deletion of a test by the Order Filler

### 3.3.4.3 Summary of Events Triggering LAB-3 Messages

1135 The following events detected by the Order Filler application (LIS) will trigger the sending of an OUL or of an ORU message to the Order Result Tracker:

- Entry of an Order at the laboratory level for an already collected specimen
- Reception and acceptance of a specimen for an existing Order
- Acquisition of some technically validated results, in the context where transmission of such results is expected by the ward staff.
- 1140 • Clinical validation of results
- Correction of results previously transmitted
- Cancellation of results previously transmitted
- Deletion of tests

**HL7 and HEALTH LEVEL SEVEN are the registered trademarks of Health Level Seven International.**

### 3.3.5 Messages Static Definitions

1145 Transaction LAB-3 offers two message profiles:

- The OUL^R22 message is designed for Specimen centered result reporting.
- The ORU^R01 message is designed for Order centered result reporting.

1150 In both message structures the order in which the OBX segments appear defines the sorting order for the presentation of the results for a given battery or specimen. In this respect, the Order Filler shall transmit all available results for the battery or specimen in recapitulative mode no matter whether they have already been transmitted or not.

An Order Filler chooses whichever message profile to use depending upon its own business rules. The Order Filler is not mandated to be able to use both message profiles.

An Order Result Tracker must be able to receive both message structures.

1155 The OUL^R24 message profile designed for multi-specimen batteries was usable in release 1 of the Laboratory Technical Framework. However, the HL7 OUL^R24 message structure is ambiguous in that it gives no clue to the receiver to distinguish between the results (OBX) related to the order and the observations (OBX) related to the last specimen of that order. Therefore, as of its release 2, this Laboratory Technical Framework deprecates OUL^R24 message profile, kept for backward compatibility only, and viewable in:

1160 [ftp://ftp.ihe.net/Laboratory/Tech\\_Framework/V2/ihe\\_lab\\_TF\\_2.0\\_Vol1\\_FT\\_2006-12-04.doc](ftp://ftp.ihe.net/Laboratory/Tech_Framework/V2/ihe_lab_TF_2.0_Vol1_FT_2006-12-04.doc)

#### 3.3.5.1 OUL^R22 Static Definition

**Table 3.3.5.1-1: OUL^R22 static definition**

Segment	Meaning	Usage	Card.	HL7 chapter
MSH	Message Header	R	[1..1]	2
[	--- PATIENT begin	RE	[0..1]	
PID	Patient Identification	R	[1..1]	3
[	--- VISIT begin	RE	[0..1]	
PV1	Patient Visit	R	[1..1]	3
]	--- VISIT end			
]	--- PATIENT end			
{	--- SPECIMEN begin	R	[1..*]	
SPM	Specimen	R	[1..1]	7
[ {OBX} ]	Observation related to specimen	O	[0..*]	
[ {SAC} ]	Container information	O	[0..*]	13
{	--- ORDER begin	R	[1..*]	
OBR	Observation Request	R	[1..*]	4
ORC	Common Order (for one specimen)	R	[1..1]	4

**HL7 and HEALTH LEVEL SEVEN are the registered trademarks of Health Level Seven International.**

Segment	Meaning	Usage	Card.	HL7 chapter
[ {NTE} ]	Comments on the order	O	[0..*]	2
[	--- TIMING begin	RE	[0..1]	
TQ1	Timing Quantity	R	[1..1]	4
]	--- TIMING end			
[ {	--- RESULT begin	O	[0..*]	
OBX	Observation related to OBR	R	[1..*]	7
[ {NTE} ]	Comment of the result	C	[0..*]	2
}]	--- RESULT end			
}	--- ORDER end			
}	--- SPECIMEN end			

1165

Field MSH-9 – Message Type shall have its three components valued as follows:  
OUL^R22^OUL\_R22

1170

For specimen oriented observation message, additional parameters that are related to the specimen (e.g., Anatomic origin, Collection procedure) should be transmitted in OBX segments that immediately follow the SPM segment.

1175

For each set of observations (e.g., Microscopy; Culture; Antibiotic Susceptibility) the Order Filler should generate an OBR segment that identifies the Observation followed by a series of OBX segments, each of them carrying the result of an individual test/observation.

1180

Following the SPM segment, the Order Filler should systematically transmit in the OUL message, all OBR and OBX segments related to this SPM. This systematic transmission of all observations linked to an SPM segment and their respective status may help the Order Result Tracker to recover from an error situation, when for some hazardous reasons a previous OUL message for the same request could not have been properly processed. For the same reason the "U" value should not be used in the Observation Result Status field of an OBX segment (see description of this segment in appendix C of Volume 2x).

1185

In case an observation previously transmitted is deleted, the Order Filler should transmit all OBX segments linked to the OBR to which the deleted observation relates to; and it should indicate the current status of each OBX segment. The Observation Result Status field of the OBX that correspond to the deleted observation should be valued with a "D".

Unless the Report Status field (OBR-25) of the OBR is valued with an "X" (deleted battery), the OBR segment shall always be followed by one or several OBX segments.

TQ1 and ORC segments shall be transmitted because they contain important information such as the priority of the order and the order group number.

### 3.3.5.2 ORU^R01 Static Definition

1190

HL7 and HEALTH LEVEL SEVEN are the registered trademarks of Health Level Seven International.
---

**Table 3.3.5.2-1: ORU^R01 static definition**

Segment	Meaning	Usage	Card.	HL7 chapter
MSH	Message Header	R	[1..1]	2
{	--- PATIENT_RESULT begin	R	[1..1]	
[	--- PATIENT begin	RE	[0..1]	
PID	Patient Identification	R	[1..1]	3
[	--- PATIENT_VISIT begin	RE	[0..1]	
PV1	Patient Visit	R	[1..1]	3
]	--- PATIENT_VISIT end			
]	--- PATIENT end			
{	--- ORDER_OBSERVATION begin	R	[1..*]	
ORC	Common Order (for one battery)	R	[1..1]	4
OBR	Observation Request	R	[1..1]	4
[ {NTE} ]	Comments on the order	O	[0..*]	2
[ {	--- TIMING begin	RE	[0..1]	
[ {TQ1} ]	Timing Quantity	R	[1..1]	4
}]	--- TIMING end			
[ {	--- OBSERVATION begin	C	[0..*]	
OBX	Observation related to OBR	R	[1..1]	7
[ {NTE} ]	Comment of the result	RE	[0..*]	2
}]	--- OBSERVATION end			
[ {	--- SPECIMEN begin	RE	[0..*]	
SPM	Specimen	R	[1..1]	7
[ {OBX} ]	Observation related to specimen	O	[0..*]	
}]	--- SPECIMEN end			
}	--- ORDER_OBSERVATION end			
}	--- PATIENT_RESULT end			

Field MSH-9 – Message Type shall have its three components valued as follows:

ORU^R01^ORU\_R01

- 1195 Condition predicate for the OBSERVATION segment group: This group is present (one or more occurrence) only when OBR-25 from the preceding OBR segment is not in { “X”, “O”, “I”, “S”}.

The observations and notes produced to fulfill an order are reported as OBX and NTE segments in the OBSERVATION segment group following the ORC/OBR pair representing this order.

- 1200 Each specimen used by this order is described as a SPM segment in an instance of the SPECIMEN segment group following the results of the order. Pre-analytical observations

**HL7 and HEALTH LEVEL SEVEN are the registered trademarks of Health Level Seven International.**

qualifying the usability or characteristics (e.g., volume, collection duration, defect ...) of the specimen may be reported in OBX attached to the SPM segment.

1205 Following the ORC/OBR, the Order Filler should systematically transmit in the message, all OBX and SPM segments related to this ORC/OBR. This systematic transmission of all observations linked to an OBR and their respective status may help the Order Result Tracker to recover from error situations.

For the same reason the "U" value should not be used in the Observation Result Status field of an OBX segment (see description of this segment in Chapter 3.11 earlier in this document).

1210 In case an observation previously transmitted is deleted, the Order Filler should transmit all OBX segments linked to the OBR to which the deleted observation relates to; and it should indicate the current status of each OBX segment. The Observation Result Status field of the OBX that correspond to the deleted observation should be valued with a "D".

1215 Unless the Report Status field (OBR-25) of the OBR is valued with an "X" (deleted battery), the OBR segment shall always be followed by one or several SPM and OBX segments.

TQ1 and ORC segments shall be transmitted because they contain important information such as the priority of the order and the Order Group Number.

### 3.3.5.3 OBR Segment

This section describes the OBR segment usage in ORU and OUL messages described above.

1220 The OUL/ORU message corresponding to an Order Group should contain as many OBR segments as Orders involved by the triggering event of the message. For example, upon reception of a specimen in the laboratory, the Order Filler application (the LIS) will generate a message that contains as many OBR segments as batteries or tests requested for this specimen. The modification of a result of an observation will trigger an OUL message that contains the OBR segment describing the related Order.

1225

**Table 3.3.5.3-1: OBR segment**

SEQ	LEN	DT	Usage	Card.	TBL#	ITEM#	Element name
2	22	EI	RE	[0..1]		00216	Placer Order Number
3	22	EI	R	[1..1]		00217	Filler Order Number
4	250	CE	R	[1..1]		00238	Universal Service Identifier
5	2	ID	X	[0..0]		00239	Priority – OBR
6	26	TS	X	[0..0]		00240	Requested Date/Time
7	26	TS	C	[0..1]		00241	Observation Date/Time
8	26	TS	X	[0..0]		00242	Observation End Date/Time
9	20	CQ	X	[0..0]		00243	Collection Volume
10	250	XCN	RE	[0..1]		00244	Collector Identifier
11	1	ID	RE	[0..1]	0065	00245	Specimen Action Code

**HL7 and HEALTH LEVEL SEVEN are the registered trademarks of Health Level Seven International.**

IHE Laboratory Technical Framework, Volume 2a (LAB TF-2a): Transactions Part A

SEQ	LEN	DT	Usage	Card.	TBL#	ITEM#	Element name
12	250	CE	X	[0..0]		00246	Danger Code
13	300	ST	X	[0..0]		00247	Relevant Clinical Information
14	26	TS	X	[0..0]		00248	Specimen Received Date/Time
15	300	SPS	X	[0..0]		00249	Specimen Source or Segment SPM
16	250	XCN	RE	[0..1]		00226	Ordering Provider
17	250	XTN	X	[0..0]		00250	Order Callback Phone Number
18	60	ST	X	[0..0]		00251	Placer Field 1
19	60	ST	X	[0..0]		00252	Placer Field 2
20	60	ST	X	[0..0]		00253	Filler Field 1
21	60	ST	X	[0..0]		00254	Filler Field 2
22	26	TS	X	[0..0]		00255	Results Rpt/Status Chng – Date/Time
23	40	MOC	X	[0..0]		00256	Charge to Practice
24	10	ID	RE	[0..1]	0074	00257	Diagnostic Serv Sect ID
25	1	ID	R	[1..1]	0123	00258	Order Result Status
26	400	PRL	C	[0..1]		00259	Parent Result
27	200	TQ	X	[0..0]		00221	Quantity/Timing
28	250	XCN	RE	[0..*]		00260	Result Copies To
29	200	EIP	C	[0..1]		00261	Parent
30	20	ID	X	[0..0]	0124	00262	Transportation Mode
31	250	CE	X	[0..0]		00263	Reason for Study
32	200	NDL	C	[0..1]		00264	Principal Result Interpreter
33	200	NDL	X	[0..0]		00265	Assistant Result Interpreter
34	200	NDL	X	[0..0]		00266	Technician
35	200	NDL	O	[0..1]		00267	Transcriptionist +
36	26	TS	O	[0..1]		00268	Scheduled Date/Time +
37	4	NM	X	[0..0]		01028	Number of Sample Containers *
38	250	CE	X	[0..0]		01029	Transport Logistics of Collected Sample
39	250	CE	X	[0..0]		01030	Collector's Comment *
40	250	CE	X	[0..0]		01031	Transport Arrangement Responsibility
41	30	ID	X	[0..0]	0224	01032	Transport Arranged
42	1	ID	X	[0..0]	0225	01033	Escort Required
43	250	CE	X	[0..0]		01034	Planned Patient Transport Comment
44	250	CE	X	[0..0]	0088	00393	Procedure Code
45	250	CE	X	[0..0]	0340	01316	Procedure Code Modifier
46	250	CE	X	[0..0]	0411	01474	Placer Supplemental Service Information

**HL7 and HEALTH LEVEL SEVEN are the registered trademarks of Health Level Seven International.**



SEQ	LEN	DT	Usage	Card.	TBL#	ITEM#	Element name
47	250	CE	X	[0..0]	0411	01475	Filler Supplemental Service Information
48	250	CWE	X	[0..0]	0476	01646	Medically Necessary Duplicate Procedure Reason.
49	2	IS	X	[0..0]	N	01647	Result Handling

OBR-2 Placer Order Number (EI), required if available

1230 This field is required if the value is known to the sender. See Section 2.4.6.1 for the details of the data type. In case of a Filler Order, the value of this field will be known to the sender after transaction LAB-2 Filler Order Management (Section 3.2.4.1) has taken place.

OBR-3 Filler Order Number (EI), required

1235 This field is required. It allows the Order Result Tracker to link all the Tests/results of a request together. It also identifies the order at the Order Filler level. Please refer to Section 2.4.6.1 for the details of the data type.

OBR-4 Universal Service Identifier (CE), required

1240 The first three sub-fields “Identifier”, “Text” and “Name of Coding System” are required.  
The second sub-field “Text” allows the Order Result Tracker to manage the results without the help of Battery Master File.  
The last three sub-fields are optional.

OBR-7 Observation Date/Time (TS), conditional

1245 Condition predicate: If the order is related to one single specimen, then OBR-7 SHALL be populated with the content of SPM-17.1, which represents the physiologically relevant date-time (i.e., the time the specimen was collected from the patient). In all other situations this field OBR-7 SHALL be populated with a null value: “”

OBR-9 Collection Volume (CQ)

1250 Since when it is needed by the laboratory and reported, the volume of collection is the result of an observation (sometimes done by the Order Placer) that can be used for calculation of other results (e.g., Creatinine Clearance); this information should be transferred in an OBX segment as all other results of observation. This field OBR-9 should consequently not be used in this transaction.

OBR-10 Collector Identifier (XCN)

This field identifies the person, department or facility that collected the specimen(s).

1255 OBR-11 Specimen Action Code (ID)

This field is only required in the following events:

**HL7 and HEALTH LEVEL SEVEN are the registered trademarks of Health Level Seven International.**

- The order is entered at the Order Filler (LIS) level as described in LAB TF-1:4.2.3. The value of the Action Code is A in this case.
- The battery or test has been added by the Order Filler (LIS) for confirmation of a diagnostic (reflex testing); value G in this case.

1260

In all other triggering events of this transaction, this Action Code field is meaningless.

#### OBR-12 Danger Code (CE)

This field should not be used in this first version of Laboratory Technical Framework.

#### OBR-13 Relevant Clinical Information (ST)

1265

Since it is stated in the HL7 V2.5 Chapter 7 that "for some orders this information may be sent on a more structured form as a series of OBX segments (see HL7 V2.5 Chapter 7) that immediately follow the order segment", it is preferable and more consistent to systematically use OBX segments in OUL message for sending Clinical Information.

#### OBR-14 Specimen Received Date/Time (TS)

1270

This field should not be used; this information should be transmitted in an SPM segment.

#### OBR-15 Specimen Source (SPS)

As for OBR-13, if this information needs to be transmitted to the Order Result Tracker it is more consistent to transfer it in an OBX segment. This field should not be used.

#### OBR-16 Ordering Provider (XCN)

1275

This field is required if it was part of the order sent by the Order Placer.

#### OBR-24 Diagnostic Serv Sect ID (ID)

This field is required if available. In case the Order Result Tracker receives part of the results of an entire order at different time, the Order Result Tracker can use this field for presenting all the batteries/test with the same Diagnostic Serv. Sect. ID together.

1280

#### OBR-25 Result Status (ID)

This field is required and should be filled according to HL7 Table 0123 described in Chapter 4. Depending on the triggering event of the OUL or ORU message the possible values for this field are:

1285

- Value I is used to indicate reception of specimen(s) at the laboratory. In case a battery or test requires more than one specimen (e.g., Creatinine clearance) this I status has to be used when all the required specimens have been received. An OBR segment with this I status may be followed by OBX segments that contains result of observations performed at specimen collection time (e.g., Volume of collected specimen).

1290

- Value R, to indicate that some results are available and technically validated but not yet clinically validated.

**HL7 and HEALTH LEVEL SEVEN are the registered trademarks of Health Level Seven International.**

- Value P, to indicate that some of the results, but not all, are available and have been clinically validated. The identity of the Clinical Expert should in this case be indicated in the OBR-32 field.
- 1295 • Value F, to indicate that all results are available and have been clinically validated. The identity of the Clinical Expert should in this case be indicated in the OBR-32 field.
- Value C, to indicate that at least one result contained in one of the following OBX segments has been modified after the results have been transmitted with the F status. This C value should never be used before results have been transmitted with the F status. Since a Corrected result is supposed to be clinically validated, the identity of the Clinical Expert should be indicated in the OBR-32 field when the value of the Result Status is C.
- 1300 • Value X, to indicate that the battery/test has been deleted. This deletion could have been, either received from the Order Placer for an already received specimen and accepted by the Order Filler, or decided by the laboratory. This value X should not be used if some results for this test have already been transmitted.
- 1305 • Value S, although the usage of this value is mainly in response to a Query message. It can be used in OUL messages for tests that have been added to the original request by the Order Filler (LIS). In this case, the value of the OBR-11 field (Action Code) should be either A, or G.

1310 Note: For the conditions of use of these values, please read Volume 2x, Appendix C “Correlations of status between ORC, OBR and OBX”.

#### OBR-26 Parent Result (PRL), conditional

This field is used to report spawned orders in microbiology. See Section 3.11 for detailed specification of usage.

Condition predicate: Populated if OBR-11 (Specimen Action code) is valued "G".

#### 1315 OBR-28 Result Copies To (XCN)

This field may be used to indicate the list of recipients who will receive a hard copy of the results report, which may be useful information for users who have access to these results.

#### OBR-29 Parent (EIP), conditional

1320 This field is used to report spawned orders in microbiology. See Section 3.11 for detailed specification of usage.

Condition predicate: Populated if OBR-11 (Specimen Action code) is valued "G".

#### OBR-32 Principal Result Interpreter (NDL)

1325 This field is required when the value of the Results Status field (OBR-25) is P, F or C (corrected results are supposed to be verified). The field identifies who validated the results, where, and when this clinical validation was performed. It describes completely the “Clinical Validation” step.

<b>HL7 and HEALTH LEVEL SEVEN are the registered trademarks of Health Level Seven International.</b>
--

OBR-33 Assistant Result Interpreter (NDL)

This field is meaningless when the value of the Result Status field is different from P, F or C.

OBR-34 Technician (NDL)

1330 This field should not be used, as all observations linked to the battery have not necessarily been performed by the same Technician. The OBX-16 (Responsible Observer) should be used instead.

OBR-35 Transcriptionist (NDL)

1335 This field is only applicable when the final report has been dictated and transcribed, which is frequent for Histology and Cytology reports.

OBR-36 Scheduled - Date/Time (TS)

This field is optional and only applies when the value of the Result Status field (OBR-25) is S.

### 3.3.5.4 Use of the Option Report Facsimile For Order Group

1340 **3.3.5.4.1 PDF Report Provided By Reference**

When this option is activated, if the Order Placer requested this facsimile report service with an Order Group, then messages OUL^R22 and ORU^R01 carrying clinically validated results related to an Order Group SHALL provide the link to the PDF report recapitulating all clinically validated and reportable results obtained by the sending laboratory for this Order Group.

1345 **3.3.5.4.2 OF Actor Sending Responsibilities Extended for this Option**

If the OP requested the facsimile of the report in an Order Group, when the OF prepares a message containing some clinically validated results for this Order Group, it SHALL construct the PDF report recapitulating all results obtained by the sending laboratory validated and releasable for this Order Group and SHALL include a link to this PDF report in the results message.

1350

When canceling some results previously transmitted to ORT with a PDF report facsimile, if after this cancellation occurs, no result from the sending laboratory remains releasable for this Order Group, then OF SHALL provide a nullified link in the results message, to request the cancellation without replacement of the report facsimile.

1355 **3.3.5.4.3 ORT Actor Receiving Responsibilities Extended for this Option**

Upon reception of a results message carrying such a link, the ORT Actor SHALL follow the link, retrieve the PDF report immediately, and store it attached to the Order Group and its current set of results, replacing any previous report facsimile for this Order Group with this new one.

<b>HL7 and HEALTH LEVEL SEVEN are the registered trademarks of Health Level Seven International.</b>
--

1360 Upon reception of a results message carrying a nullified link (meaning the previous report transmitted for this Order Group is canceled and not replaced), the ORT Actor SHALL mark the report facsimile as canceled and no longer usable for care purpose.

#### 3.3.5.4.4 Segment Group Dedicated to the Report Facsimile

1365 Message ORU^R01 provides this link in a dedicated ORDER\_OBSERVATION segment group, appearing at the bottom of the message. This last ORDER\_OBSERVATION segment group, which was requested by the Order Placer when the Order Group was placed, is composed of only 3 segments: ORC, OBR, OBX.

Message OUL^R22 provides this link through in a dedicated ORDER segment group appearing at the end of the last SPECIMEN segment group of the message. This last ORDER segment group is composed of only 3 segments: OBR, ORC, OBX.

1370 In both message structures the 3 segments introducing the PDF report are populated as follows:

#### 3.3.5.4.5 ORC Segment Introducing the Laboratory Report for the Order Group

This segment is populated with at least these 3 fields:

Field	DT	Element name	Value	comment
ORC-1	ID	Order Control	SC	<i>A results message is always a Status Change.</i>
ORC-4	EI	Placer Group Number	<i>The Order Group number</i>	<i>The identifier assigned by the Order Placer to this Order Group.</i>
ORC-9	TS	Date/Time of Transaction	<i>Date time of the triggering event</i>	<i>Date/time of this release of the laboratory report produced for this Order Group.</i>

#### 3.3.5.4.6 OBR Segment Introducing the Laboratory Report for the Order Group

This segment is populated with at least these 4 fields:

Field	DT	Element name	Value	comment
OBR-2	EI	Placer Order Number	As assigned by OP	
OBR-3	EI	Filler Order Number	As assigned by OF	
OBR-4	CE	Universal Service Identifier		
OBR-4.1	ST	Code	(1)	<i>This code announces the laboratory report</i>
OBR-4.2	ST	Text	(1)	<i>The LOINC name of this code</i>
OBR-4.3	ID	Name of Coding System	LN	<i>Coding system LOINC</i>
OBR-25	ID	Result Status	P, F, C, X	<i>The report is Preliminary, Final, Corrected (after final) or canceled (X). When existing, it contains only verified results (i.e., clinically validated).</i>

#### 1375 Notes

(1): Use either the LOINC code “11502-2” and the corresponding name “LABORATORY REPORT.TOTA” or one of the LOINC codes for laboratory specialties listed in LAB TF-3: Table 2.3.4.1.1-1, and the corresponding name.

**HL7 and HEALTH LEVEL SEVEN are the registered trademarks of Health Level Seven International.**

**3.3.5.4.7 OBX Segment Carrying the Link to the Laboratory Report**

1380 This segment is populated with these 6 fields:

Field	DT	Element name	Value	comment
OBX-1	SI	Set ID – OBX	1	
OBX-2	ID	Value Type	RP	<i>Reference Pointer</i>
OBX-3		Observation Identifier		
OBX-3.1	ST	Code	(1)	<i>The observation is the laboratory report itself</i>
OBX-3.2	ST	Text	(1)	<i>The LOINC name of this code</i>
OBX-3.3	ID	Name of Coding System	LN	<i>Coding system LOINC</i>
OBX-5	RP	Observation Value		
OBX-5.1	ST	Pointer	<i>URL of the laboratory report</i>	<i>The syntax of the URL SHALL be conformant with RFC 1738 and RFC 1808.</i>
OBX-5.2	HD	Application ID	<i>unique ID assigned to the OF application</i>	
OBX-5.3	ID	Type Of Data	AP	<i>Other application data. The report is not to be interpreted by a HL7 parser.</i>
OBX-5.4	ID	Subtype	PDF or JPG	<i>The laboratory report is in pdf or jpeg format</i>
OBX-11	ID	Observation Result Status	P, F, C, D	<i>The report is Preliminary, Final, Corrected, Deleted, or cannot be produced (X). In the two latter cases (D or X) OBX-5.1 SHALL be nullified ( , populated with two double quotes)</i>
OBX-13	ST	User Defined Access Checks	P or empty	<i>P means this report should be viewed only by privileged users.</i>

**Notes**

(1): Use either the LOINC ® code “11502-2” and the corresponding name “LABORATORY REPORT.TOTA” or one of the LOINC codes for laboratory specialties listed in LAB TF-3: Table 2.3.4.1.1-1, and the corresponding name.

1385

**3.3.5.4.8 Example of ORDER\_OBSERVATION Segment Group in ORU**

1390

```

...
ORC|SC|||777^Nephro|||200805191100
OBR|||11502-2^LABORATORY REPORT.TOTAL^LN|||F
OBX|1|RP|11502-2^LABORATORY REPORT.TOTAL^LN|file://hserv/lr/lr12345678.pdf|||F|P
...
ORC|SC|||777^Nephro|||200805191100
OBR|||11502-2^LABORATORY REPORT.TOTAL^LN|||F
OBX|1|RP|11502-2^LABORATORY REPORT.TOTAL^LN|file:///C:/lr/lr12345678.pdf|||F|P
    
```

1395

**HL7 and HEALTH LEVEL SEVEN are the registered trademarks of Health Level Seven International.**

### **3.3.6 Acknowledgement of OUL and ORU Messages**

OUL and ORU messages received by the Order Result Tracker shall generate a logical acknowledgement message from the Order Result Tracker to the Order Filler. This General Acknowledgement Message 'ACK' shall be built according to HL7 V2.5 standard.

**HL7 and HEALTH LEVEL SEVEN are the registered trademarks of Health Level Seven International.**

1400 **3.4 Work Order Management (LAB-4)**

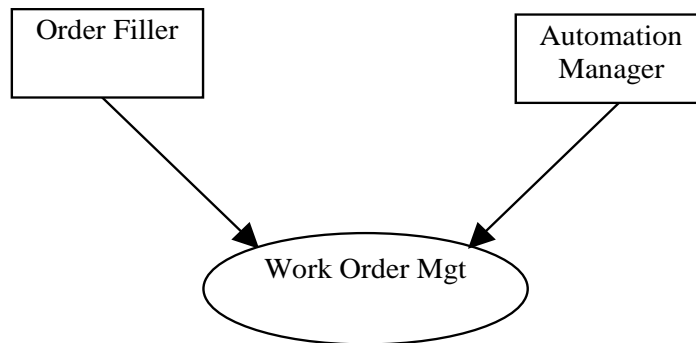
**3.4.1 Scope**

This transaction is used if the Order Filler issues a new order to the Automation Manager.

In addition, this transaction is used to cancel and/or modify an order that was previously sent to the Automation Manager.

1405 It is also possible to cancel a previous order and send a new order to modify it.

**3.4.2 Use Case Roles**



1410 Actor: Order Filler

The role: manages orders and takes care of the routing to the appropriate Automation Manager.

Actor: Automation Manager

The role: receives the orders from the order filler and manages the preprocessing, the analysis, and the post processing of the order.

1415 **3.4.3 Referenced Standards**

HL7 version 2.5 Chapter 4

**3.4.4 Interaction Diagrams**

ORL messages SHALL be created by the Automation Manager application, and not by a message broker. The message broker (an intermediary between the Order Filler and the

1420 Automation Manager) has no knowledge of the tests being requested and can't accept/reject these test on behalf of the Automation Manager.

**HL7 and HEALTH LEVEL SEVEN are the registered trademarks of Health Level Seven International.**



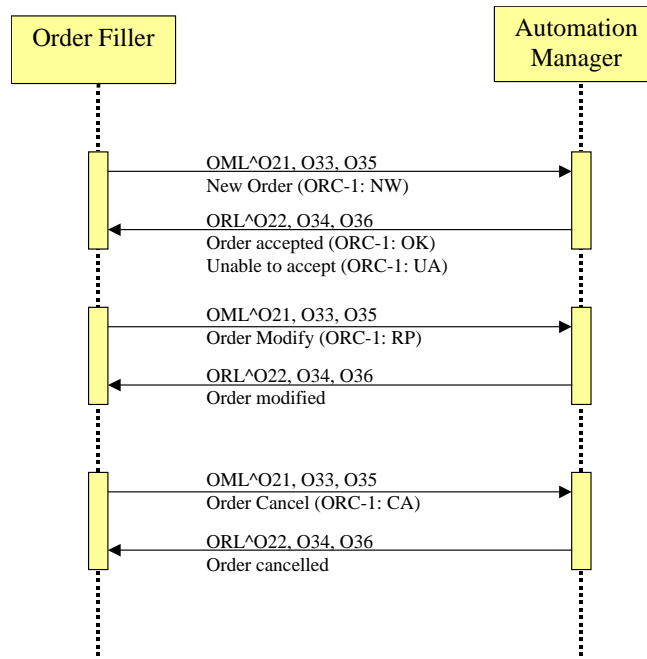


Figure 3.4.4-1: Normal process of ordering to Automation Manager

1425

### 3.4.5 Messages Static Definitions

#### 3.4.5.1 Laboratory Order Message (OML^O21, ORL^O22)

The following message is used for analytical messages where it is required that the Specimen/Container information is within ORC/OBR segment group.

1430

##### 3.4.5.1.1 Trigger Events

OML(O21): Work order sent by the Order Filler.

ORL (O22): Acknowledgement of the Work Order sent by the Automation Manager.

##### 3.4.5.1.2 Message Semantics

1435

Refer to the HL7 standard for the OML message of HL7 2.5 Chapter 4 and the general message semantics.

In addition, when the Order Filler sends a new work order to the Automation Manager, ORC-1 “Order Control Code” is valued with “NW”. When the work order is canceled, ORC-1 is valued with “CA”. The correction of the work order uses value “RP”.

1440

The OBX segments are used to convey the patient’s previous results, as well as some observation provided by the Order Placer or by the Order Filler, such as: blood pressure, patient’s temperature, specimen collection volume... &

**HL7 and HEALTH LEVEL SEVEN are the registered trademarks of Health Level Seven International.**

**Table 3.4.5.1-1: OML^021 Message**

Segment	Meaning	Usage	Card.	HL7 chapter
MSH	Message Header	R	[1..1]	2
[	--- PATIENT begin	O	[0..1]	
PID	Patient Identification	R	[1..1]	3
[ PV1 ]	Patient Visit	RE	[0..1]	3
]	--- PATIENT end			
{	--- ORDER begin	R	[1..*]	
ORC	Common Order (for one battery)	R	[1..1]	4
[ {TQ1} ]	Timing Quantity	RE	[0..1]	4
[	--- OBSERVATION REQUEST begin	O	[0..1]	
OBR	Observation Request	R	[1..1]	4
[ TCD ]	Test Code Details	O	[0..1]	13
[ {	--- OBSERVATION begin	O	[0..*]	
OBX	Observation Result	R	[1..1]	7
[ {NTE} ]	Comment of the result	C	[0..*]	2
}]	--- OBSERVATION end			
[ {	--- SPECIMEN begin	C	[0..*]	
SPM	Specimen	R	[1..1]	7
[ {	--- CONTAINER begin	C	[0..*]	
SAC	Specimen Container	R	[1..1]	13
[ {OBX} ]	Additional specimen characteristics	O	[0..*]	7
}]	--- CONTAINER end			
}]	--- SPECIMEN end			
[ {	--- PRIOR_RESULT begin	O	[0..*]	
PV1	Patient Visit - previous result	R	[1..1]	3
{	--- ORDER_PRIOR begin	R	[1..*]	
[ ORC ]	Common Order - previous result	R	[1..1]	4
OBR	Order Detail - previous result	R	[1..1]	4
{ [NTE] }	Notes and Comments - previous result	O	[0..*]	2
{	--- OBSERVATION_PRIOR begin	R	[1..*]	
OBX	Observation/Result - previous result	R	[1..1]	7
{ [NTE] }	Notes and Comments - previous result	O	[0..*]	2

**HL7 and HEALTH LEVEL SEVEN are the registered trademarks of Health Level Seven International.**

Segment	Meaning	Usage	Card.	HL7 chapter
}	--- OBSERVATION_PRIOR end			
}	--- ORDER_PRIOR end			
] }	--- PRIOR_RESULT end			
] }	--- OBSERVATION REQUEST end			
}	--- ORDER end			

1445 The PRIOR RESULT segment group provides the prior results obtained for the same patient. Segment PID is not provided in this segment group because it is the same patient, and the laboratory is not concerned by the fact that this patient might have had a different identification when the prior results were produced.

1450 Segment PV1, which is the first segment of the segment group PRIOR RESULT, is mandatory. The presence of this segment at this point in the message structure announces unambiguously a set of prior orders with related prior observations. The segment PV1 represents the patient visit (or encounter) during which these prior observations were produced. The only field mandatory in the segment PV1 is PV1-2 “Patient Class” (as shown in appendix C of Volume 2x). If the sender of this message does not know the patient class, it SHALL value the field PV1-2 “U”, which stands for “patient class unknown”.

The ORC appearing in the PRIOR RESULT segment group is mandatory and SHALL have its first field “Order Control” populated with “PR” (Prior results).

Field MSH-9 – Message Type shall have its three components valued as follows:  
 OML^O21^OML\_O21

1460 PV1 is optional in the LAB-4/LAB-5 segments since Automation manager and analytical instruments do not usually need the outpatient information.

1465 The SPECIMEN group is required when the specimen has already been collected and prepared, and is registered in the Order Filler application. In this case, there is at least one SPM segment present in this group. Below each SPM segment, the condition of use of the SAC segment is the one described in the paragraph describing this segment, Section 3.10.

If neither Automation Manager nor analytical instruments compare the test result with the previous result, ORC, OBR, and OBX for the previous result are not necessary.

The OBX segment in the OBSERVATION group is used for the vital signs if it is necessary for technical validation.

1470 The OBX segment in the CONTAINER group is used when a rerun is ordered.

**HL7 and HEALTH LEVEL SEVEN are the registered trademarks of Health Level Seven International.**

**Table 3.4.5.1-2: ORL^O22 Message**

Segment	Meaning	Usage	Card.	HL7 chapter
MSH	Message header	R	[1..1]	2
MSA	Message Acknowledgement	R	[1..1]	2
[ {ERR} ]	Error	O	[0..*]	2
[	--- RESPONSE begin	X	[0..0]	
[	--- PATIENT begin	O	[0..1]	
PID	Patient Identification	R	[1..1]	3
{	--- ORDER begin	R	[1..*]	
ORC	Common Order	R	[1..*]	4
[ {TQ1} ]	Timing/Quantity	RE	[0..1]	4
[	--- OBSERVATION REQUEST begin	O	[0..1]	
OBR	Observation Request	R	[1..1]	4
[ {	--- SPECIMEN begin	C	[0..*]	
SPM	Specimen	R	[1..1]	7
[ {SAC} ]	Specimen Container Details	C	[0..*]	7
} ]	--- SPECIMEN end			
]	--- OBSERVATION end			
} ]	--- OBSERVATION REQUEST end			
]	--- ORDER end			
]	--- PATIENT end			
]	--- RESPONSE end			

1475 Field MSH-9 – Message Type shall have its three components valued as follows:  
ORL^O22^ORL\_O22

This message never carries the RESPONSE segment group. It is therefore limited to the first two or three segments.

### 3.4.5.2 Multiple Orders Related to a Single Specimen (OML^O33, ORL^O34)

#### 1480 3.4.5.2.1 Trigger Events

OML (O33): Work order sent by the Order Filler.

ORL (O34): Acknowledgement of the Work Order sent by the Automation Manager.

The trigger event for this message is “any status change of a work order”. Such changes include submission of new orders, cancellations, updates, etc., where multiple orders are associated with a single specimen, which may be carried in multiple containers.

1485

<b>HL7 and HEALTH LEVEL SEVEN are the registered trademarks of Health Level Seven International.</b>
--

### 3.4.5.2.2 Message Semantics

Refer to the HL7 standard for the OML message of HL7 2.5 Chapter 4 and the general message semantics.

1490 In addition, when the Order Filler sends a new work order to the Automation Manager, ORC-1 “Order Control Code” is valued with “NW”. When the work order is canceled, ORC-1 is valued with “CA”. The correction of the work order uses value “RP”.

The OBX segments are used to convey the patient’s previous results, as well as some observation provided by the Order Placer or by the Order Filler, such as: blood pressure, patient’s temperature, specimen collection volume, etc.

1495

**Table 3.4.5.2-1: OML^O33**

Segment	Meaning	Usage	Card.	HL7 chapter
MSH	Message Header	R	[1..1]	2
[	--- PATIENT begin	O	[0..1]	
PID	Patient Identification	R	[1..1]	3
[ PV1 ]	Patient Visit	RE	[0..1]	3
]	--- PATIENT end			
{	--- SPECIMEN begin	R	[1..*]	
SPM	Specimen	R	[1..1]	7
[ {SAC} ]	Specimen Container	O	[0..*]	
{	--- ORDER begin	R	[1..*]	
ORC	Common Order (for one battery)	R	[1..1]	4
[ {TQ1} ]	Timing Quantity	RE	[0..1]	4
[	--- OBSERVATION REQUEST begin	O	[0..1]	
OBR	Observation Request	R	[1..1]	4
[ TCD ]	Test Code Details	O	[0..1]	13
[ {OBX} ]	Observation Result	C	[0..*]	7
{	--- PRIOR RESULT start	O	[0..*]	
[ PV1 ]	Patient Visit	R	[1..1]	3
[ ORC ]	Common order – prior result	R	[1..1]	4
OBR	Order detail – prior result	R	[1..1]	4
{OBX}	Observation/Result – prior result	R	[1..*]	
[ {NTE} ]	Comment of the result	C	[0..*]	2
}	--- PRIOR RESULT end			
]	--- OBSERVATION REQUEST end			
}	--- ORDER end			
}	--- SPECIMEN end			

**HL7 and HEALTH LEVEL SEVEN are the registered trademarks of Health Level Seven International.**

Field MSH-9 – Message Type shall have its three components valued as follows:  
 OML^O33^OML\_O33

1500 The PRIOR RESULT segment group provides the prior results obtained for the same patient. Segment PID is not provided in this segment group because it is the same patient, and the laboratory is not concerned by the fact that this patient might have had a different identification when the prior results were produced.

1505 Segment PV1, which is the first segment of the segment group PRIOR RESULT, is mandatory. The presence of this segment at this point in the message structure announces unambiguously a set of prior orders with related prior observations. The segment PV1 represents the patient visit (or encounter) during which these prior observations were produced. The only field mandatory in the segment PV1 is PV1-2 “Patient Class” (as shown in appendix C of Volume 2x). If the sender of this message does not know the patient class, it SHALL value the field PV1-2 “U”, which stands for “patient class unknown”.

1510 The ORC appearing in the PRIOR RESULT segment group is mandatory and SHALL have its first field “Order Control” populated with “PR” (Prior results).

**Table 3.4.5.2-2: ORL^O34**

Segment	Meaning	Usage	Card.	HL7 chapter
MSH	Message header	R	[1..1]	2
MSA	Message Acknowledgement	R	[1..1]	2
{{ERR}}	Error	O	[0..*]	2
[	--- RESPONSE begin	X	[0..0]	
[	--- PATIENT begin	R	[1..1]	
[PID]	Patient Identification	R	[1..1]	3
{	--- SPECIMEN begin	R	[1..*]	
SPM	Specimen	R	[1..1]	7
{{SAC}}	Specimen Container	O	[0..*]	13
{{	--- ORDER begin	O	[0..*]	
ORC	Common Order	R	[1..1]	4
{{TQ1}}	Timing/Quantity	RE	[0..1]	4
[OBR]	Observation Request	R	[1..1]	4
}}	--- ORDER end			
}	--- SPECIMEN end			
]	--- PATIENT end			
]	--- RESPONSE end			

1515

MSH-9 - Message Type (MSG) shall have its three components respectively valued to "ORL", "O34" and "ORL\_O34".

**HL7 and HEALTH LEVEL SEVEN are the registered trademarks of Health Level Seven International.**

This message never carries the RESPONSE segment group. It is therefore limited to the first two or three segments.

1520 **3.4.5.3 Multiple Orders for a Single Container/Specimen (OML^O35, ORL^O36)**

**3.4.5.3.1 Trigger Events**

OML (O35): Work order sent by the Order Filler.

ORL (O36): Acknowledgement of the Work Order sent by the Automation Manager.

1525 The trigger event for this message is any change to a laboratory order. Such changes include submission of new orders, cancellations, updates, etc., where multiple orders are associated with a single container of a specimen.

Notes HL7 V2.5 Chapter 4 describes “The trigger event for this message is any change to a laboratory order. Such changes include submission of new orders, cancellations, updates, etc., where multiple orders are associated with a single sample which may be carried in a multiple container”. This is same as OML^O33, and it seems a miss of typing.

1530 **3.4.5.3.2 Message Semantics**

Refer to the HL7 standard for the OML message of HL7 2.5 Chapter 4 and the general message semantics.

1535 In addition, when the Order Filler sends a new work order to the Automation Manager, ORC-1 “Order Control Code” is valued with “NW”. When the work order is canceled, ORC-1 is valued with “CA”. The correction of the work order uses value “RP”.

The OBX segments are used to convey the patient’s previous results, as well as some observation provided by the Order Placer or by the Order Filler, such as: blood pressure, patient’s temperature, specimen collection volume, etc.

1540

**Table 3.4.5.3-1: OML^O35**

Segment	Meaning	Usage	Card.	HL7 chapter
MSH	Message header	R	[1..1]	2
[	--- PATIENT begin	O	[0..1]	
PID	Patient identification	R	[1..1]	3
[ PV1 ]	Patient visit	RE	[0..1]	3
]	--- PATIENT end			
{	--- SPECIMEN begin	R	[1..*]	
SPM	Specimen	R	[1..1]	7
{	--- CONTAINER begin	R	[1..*]	
SAC	Specimen Container	R	[1..1]	13
{	--- ORDER begin	R	[1..*]	
ORC	Common order	R	[1..1]	4

**HL7 and HEALTH LEVEL SEVEN are the registered trademarks of Health Level Seven International.**

Segment	Meaning	Usage	Card.	HL7 chapter
[ {TQ1} ]	Timing/Quantity Order Sequence	RE	[0..1]	4
[	--- OBSERVATION REQUEST begin	O	[0..1]	
OBR	Observation Request	R	[1..1]	4
[ TCD ]	Test Code Details	O	[0..1]	13
[ {OBX} ]	Additional specimen characteristics	O	[0..*]	7
{	--- PRIOR RESULT begin	O	[0..*]	
[ PV1 ]	Patient Visit	R	[1..1]	3
[ ORC ]	Common order – prior result	O	[0..1]	4
OBR	Order detail – prior result	R	[1..1]	4
{OBX}	Observation/Result - prior result	R	[1..*]	7
}	--- PRIOR RESULT end			
]	--- OBSERVATION REQUEST end			
}	--- ORDER end			
}	--- CONTAINER end			
}	--- SPECIMEN end			

Field MSH-9 – Message Type shall have its three components valued as follows:  
OML^O35^OML\_O35

1545 The PRIOR RESULT segment group provides the prior results obtained for the same patient. Segment PID is not provided in this segment group because it is the same patient, and the laboratory is not concerned by the fact that this patient might have had a different identification when the prior results were produced.

1550 Segment PV1, which is the first segment of the segment group PRIOR RESULT, is mandatory. The presence of this segment at this point in the message structure announces unambiguously a set of prior orders with related prior observations. The segment PV1 represents the patient visit (or encounter) during which these prior observations were produced. The only field mandatory in the segment PV1 is PV1-2 “Patient Class” (as shown in appendix C of Volume 2x). If the sender of this message does not know the patient class, it SHALL value the field PV1-2 “U”, which stands for “patient class unknown”

1555

**Table 3.4.5.3-2: ORL^O36**

Segment	Meaning	Usage	Card.	HL7 chapter
MSH	Message header	R		2
MSA	Message Acknowledgement	R		2
[ {ERR} ]	Error	O		2
[	--- RESPONSE begin	X	[0..0]	
[	--- PATIENT begin	R	[1..1]	

**HL7 and HEALTH LEVEL SEVEN are the registered trademarks of Health Level Seven International.**



Segment	Meaning	Usage	Card.	HL7 chapter
[PID]	Patient Identification	O	[0..1]	3
{	--- SPECIMEN begin	R	[1..*]	
SPM	Specimen	R	[1..1]	7
{	--- CONTAINER begin	R	[1..*]	
SAC	Specimen Container	R	[1..1]	13
[ {	--- ORDER begin	O	[0..*]	
ORC	Common Order	R	[1..1]	4
[ {TQ1} ]	Timing/Quantity	RE	[0..1]	4
[ OBR ]	Observation Request	R		4
} ]	--- ORDER end			
}	--- CONTAINER end			
}	--- SPECIMEN END			
]	--- PATIENT end			
]	--- RESPONSE end			

Field MSH-9 – Message Type shall have its three components valued as follows:  
 ORL^O36^ORL\_O36

1560 This message never carries the RESPONSE segment group. It is therefore limited to the first two or three segments.

### 3.4.5.3.3 OBR Segment

All fields are optional except those listed in table below.

1565

**Table 3.4.5.3-3: OBR Segment**

SEQ	LEN	DT	Usage	Card.	TBL#	ITEM#	Element name
1	4	SI	O	[0..1]		00237	Set ID – OBR
2	22	EI	R	[1..1]		00216	Placer Order Number
3	22	EI	RE	[0..1]		00217	Filler Order Number
4	250	CE	R	[1..1]		00238	Universal Service Identifier
5	2	ID	X	[0..0]		00239	Priority – OBR
6	26	TS	X	[0..0]		00240	Requested Date/Time
7	26	TS	X	[0..0]		00241	Observation Date/Time #
8	26	TS	X	[0..0]		00242	Observation End Date/Time #
9	20	CQ	X	[0..0]		00243	Collection Volume *
10	250	XCN	O	[0..*]		00244	Collector Identifier *
11	1	ID	RE	[0..1]	0065	00245	Specimen Action Code *
12	250	CE	X	[0..0]		00246	Danger Code

**HL7 and HEALTH LEVEL SEVEN are the registered trademarks of Health Level Seven International.**

IHE Laboratory Technical Framework, Volume 2a (LAB TF-2a): Transactions Part A

SEQ	LEN	DT	Usage	Card.	TBL#	ITEM#	Element name
13	300	ST	X	[0..0]		00247	Relevant Clinical Information
14	26	TS	X	[0..0]		00248	Specimen Received Date/Time *
15	300	SPS	X	[0..0]		00249	Specimen Source
16	250	XCN	R	[1..1]		00226	Ordering Provider
17	250	XTN	RE	[0..2]		00250	Order Callback Phone Number
18	60	ST	X	[0..0]		00251	Placer Field 1
19	60	ST	X	[0..0]		00252	Placer Field 2
20	60	ST	X	[0..0]		00253	Filler Field 1 +
21	60	ST	X	[0..0]		00254	Filler Field 2 +
22	26	TS	X	[0..0]		00255	Results Rpt/Status Chng - Date/Time +
23	40	MOC	X	[0..0]		00256	Charge to Practice +
24	10	ID	C	[0..1]	0074	00257	Diagnostic Serv Sect ID
25	1	ID	X	[0..0]	0123	00258	Result Status +
26	400	PRL	X	[0..0]		00259	Parent Result +
27	200	TQ	X	[0..0]		00221	Quantity/Timing
28	250	XCN	O	[0..*]		00260	Result Copies To
29	200	EIP	X	[0..0]		00261	Parent
30	20	ID	X	[0..0]	0124	00262	Transportation Mode
31	250	CE	O	[0..1]		00263	Reason for Study
32	200	NDL	O	[0..1]		00264	Principal Result Interpreter +
33	200	NDL	O	[0..1]		00265	Assistant Result Interpreter +
34	200	NDL	O	[0..1]		00266	Technician +
35	200	NDL	O	[0..1]		00267	Transcriptionist +
36	26	TS	O	[0..1]		00268	Scheduled Date/Time +
37	4	NM	O	[0..1]		01028	Number of Sample Containers *
38	250	CE	O	[0..1]		01029	Transport Logistics of Collected Sample *
39	250	CE	O	[0..1]		01030	Collector's Comment *
40	250	CE	X	[0..0]		01031	Transport Arrangement Responsibility
41	30	ID	X	[0..0]	0224	01032	Transport Arranged
42	1	ID	X	[0..0]	0225	01033	Escort Required
43	250	CE	X	[0..0]		01034	Planned Patient Transport Comment
44	250	CE	O	[0..1]	0088	00393	Procedure Code
45	250	CWE	O	[0..1]	0340	01316	Procedure Code Modifier
46	250	CE	O	[0..1]	0411	01474	Placer Supplemental Service Information
47	250	CE	O	[0..1]	0411	01475	Filler Supplemental Service

**HL7 and HEALTH LEVEL SEVEN are the registered trademarks of Health Level Seven International.**

SEQ	LEN	DT	Usage	Card.	TBL#	ITEM#	Element name
							Information
48	250	CWE	X	[0..0]	0476	01646	Medically Necessary Duplicate Procedure Reason.
49	2	IS	O	[0..1]	0507	01647	Result Handling

OBR-2 Placer Order Number shall be reflected in a test result (LAB-5:OUL message), and it is used to in order that Order Filler or Order Placer use it to pull out the corresponding order record.

1570 OBR-3 If Filler Order Number present, it should be filled in.

### 3.4.5.3.4 TCD Segment

All fields are optional except those listed in table below.

**Table 3.4.5.3-4: TCD Segment**

SEQ	LE N	DT	Usage	Card.	TBL #	ITEM#	Element name
1	250	CE	R	[1..1]		00238	Universal Service Identifier
2	20	SN	O	[0..1]		01420	Auto-Dilution Factor
3	20	SN	O	[0..1]		01421	Rerun Dilution Factor
4	20	SN	O	[0..1]		01422	Pre-Dilution Factor
5	20	SN	O	[0..1]		01413	Endogenous Content of Pre-Dilution Diluent
6	1	ID	O	[0..1]	0136	01416	Automatic Repeat Allowed
7	1	ID	O	[0..1]	0136	01424	Reflex Allowed
8	250	CE	O	[0..1]	<a href="#">0389</a>	01425	Analyte Repeat Status

1575

### 3.4.5.4 Expected Action

If the OML message of the Order Control Code NW is received from Order Filler, the Automation Manager will receive and register the order information, then it will transmit the result either “Accept” or “Reject” to Order Filler by the ORL message.

1580 If the OML message of the Order Control Code CA is received from Order Filler, Automation Manager will cancel the existing previous order information, and will not try to schedule or execute the command. Moreover, the command that has already started at the Automation Manager is not canceled. The result either Accept or Reject is transmitted to Order Filler by the ORL message.

1585 Automation Manager will change and register record of the command, if the OML message of the Order Control Code RP is received from Order Filler. However, Automation Manager does

**HL7 and HEALTH LEVEL SEVEN are the registered trademarks of Health Level Seven International.**

not change the command that has already started. The result either Accept or Reject is transmitted to Order Filler by the ORL message.

**HL7 and HEALTH LEVEL SEVEN are the registered trademarks of Health Level Seven International.**

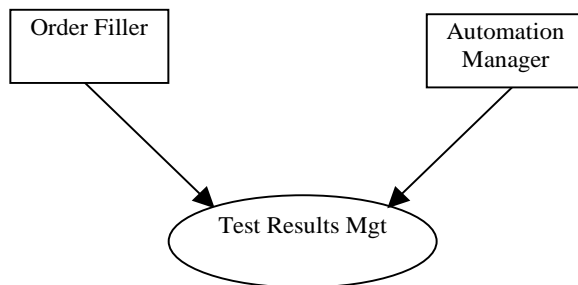
### 3.5 Test Results Management (LAB-5)

1590 This section corresponds to transaction LAB-5 of IHE Laboratory Technical Framework. The actors using this transaction are the Order Filler and the Automation Manager.

#### 3.5.1 Scope

This transaction is used when Automation Manager transmits test results to Order Filler.

#### 3.5.2 Use Case Roles



1595

**Actor:** Order Filler

**Role:** The Order Filler manages the test results notified by the Automation Manager.

**Actor:** Automation Manager

1600

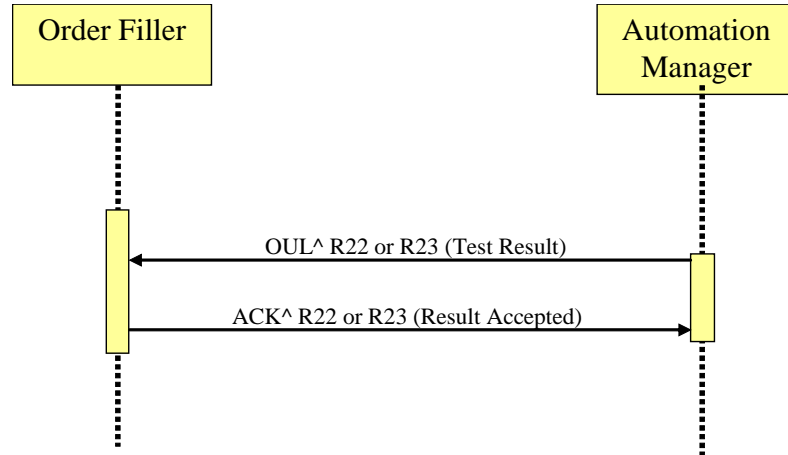
**Role:** Handles the preprocessing and the analysis processing to fulfill the Work Order, performs the technical validation and sends the results technically validated to the Order Filler.

#### 3.5.3 Referenced Standards

HL7 Version 2.5--mainly referred to in Chapter 7.

#### 3.5.4 Interaction Diagrams

**HL7 and HEALTH LEVEL SEVEN are the registered trademarks of Health Level Seven International.**



1605 **Figure 3.5.4-1: Unsolicited Observation Message from Automation Manager**

### 3.5.5 Messages Static Definitions

#### 3.5.5.1 Trigger Events

OUL (R22 or R23): Automation Manager transmits test results.

1610 The use of R22 is recommended when transferring multiple results related to a specimen from a patient.

The use of R23 is recommended when transferring multiple results related to one or more specific containers with one or more specimens from a patient.

The use of R24 is deprecated, since this HL7 message structure is ambiguous. OUL^R24 can be viewed in:

1615 [ftp://ftp.ihe.net/Laboratory/Tech\\_Framework/V2/ihe\\_lab\\_TF\\_2.0\\_Vol2\\_FT\\_2006-12-04.doc](ftp://ftp.ihe.net/Laboratory/Tech_Framework/V2/ihe_lab_TF_2.0_Vol2_FT_2006-12-04.doc)

ACK (R22 or R23): Order Filler response acknowledgements.

#### 3.5.5.2 Message Semantics (R22)

Refer to HL7 2.5 Chapter 7, Section 7.3.7 for the general semantics of this message structure.

1620

**Table 3.5.5.2-1: OUL^R22**

Segment	Meaning	Usage	Card.	HL7 chapter
MSH	Message header	R	[1..1]	2
[PID]	Patient Identification	RE	[0..1]	3
[PV1]	Patient Visit	O	[0..1]	3
{	--- SPECIMEN begin	R	[1..*]	
SPM	Specimen information	R	[1..1]	7

**HL7 and HEALTH LEVEL SEVEN are the registered trademarks of Health Level Seven International.**

Segment	Meaning	Usage	Card.	HL7 chapter
[ { OBX } ]	Observation Result (for Specimen)	O	[0..*]	7
[ {	--- CONTAINER begin	0	[0..*]	
SAC	Container information	R	[1..1]	13
[ INV ]	Detailed Substance information (e.g., id, lot, manufacturer, ... of QC specimen)	O	[0..1]	13
}]	--- CONTAINER end			
{	--- ORDER begin	R	[1..*]	
OBR	Observation Order	R	[1..1]	7
[ ORC ]	Common Order	O	[0..1]	4
[ {NTE} ]	Comment on the Work Order	O	[0..*]	2
[ {	--- RESULT begin	O	[0..*]	
OBX	Observation Result	R	[1..1]	7
[ TCD ]	Test Code Detail	O	[0..1]	13
[ {SID} ]	Substance Identifier (e.g., reagents used for testing)	O	[0..*]	13
[ {NTE} ]	Notes and comments	O	[0..*]	
}]	--- RESULT end			
}	--- ORDER end			
}	--- SPECIMEN end			

The carrier information in the case of notifying the test results of a patient's specimen uses SAC.

1625

**Table 3.5.5.2-2: ACK^R22**

Segment	Meaning	Usage	Card.	HL7 chapter
MSH	Message header	R	[1..1]	2
MSA	Message Acknowledgement	R	[1..1]	2
[ERR]	Error	O	[0..1]	2

Field MSH-9 – Message Type shall have its three components valued as follows:  
OUL^R22^OUL\_R22

### 3.5.5.3 Message Semantics (R23)

1630

Refer to HL7 2.5 Chapter 7, Section 7.3.8 for the general semantics of this message structure.

**Table 3.5.5.3-1: OUL^R23**

Segment	Meaning	Usage	Card.	HL7 chapter
MSH	Message header	R	[1..1]	2

**HL7 and HEALTH LEVEL SEVEN are the registered trademarks of Health Level Seven International.**

Segment	Meaning	Usage	Card.	HL7 chapter
[PID]	Patient Identification	RE	[0..1]	3
[PV1]	Patient Visit	O	[0..1]	3
{	--- SPECIMEN begin	R	[1..*]	
SPM	Specimen information	R	[1..1]	7
[ { OBX } ]	Observation Result (for Specimen)	O	[0..*]	7
{	--- CONTAINER begin	R	[1..*]	
SAC	Container information	R	[1..1]	13
[ INV ]	Detailed Substance information (e.g., id, lot, manufacturer, ... of QC specimen)	O	[0..1]	13
{	--- ORDER begin	R	[1..*]	
OBR	Observation Order	R	[1..1]	7
[ ORC ]	Common Order	O	[0..1]	4
[ { NTE } ]	Comment on the Work Order	O	[0..*]	2
[ {	--- RESULT begin	O	[0..*]	
OBX	Observation Result	R	[1..1]	7
[ TCD ]	Test Code Detail	O	[0..1]	13
[ { SID } ]	Substance Identifier (e.g., reagents used for testing)	O	[0..*]	13
[ { NTE } ]	Notes and comments	O	[0..*]	
}]	--- RESULT end			
}	--- ORDER end			
}	--- CONTAINER end			
}	--- SPECIMEN end			

1635 Field MSH-9 – Message Type shall have its three components valued as follows:  
OUL^R23^OUL\_R23.

The carrier information in the case of notifying the test results of a patient's sample uses SAC. Refer to HL7 Chapter 13 for INV, SID segments and refer to HL7 Chapter 7 for CTI segment.

**Table 3.5.5.3-1: ACK^R23**

Segment	Meaning	Usage	Card.	HL7 chapter
MSH	Message header	R	[1..1]	2
MSA	Message Acknowledgement	R	[1..1]	2
[ERR]	Error	O	[0..1]	2

1640

**HL7 and HEALTH LEVEL SEVEN are the registered trademarks of Health Level Seven International.**



Field MSH-9 - Message Type (MSG) shall have its two first components respectively valued to "OUL" and "R23".

Refer to HL7 Chapter 13 for INV, SID segments and refer to HL7 Chapter 7 for CTI segment.

### 3.5.5.4 Expected Action

1645 The Automation Manager notifies test results with the OUL message to the Order Filler. The Order Filler accepts and registers information, and responds to the Automation Manager with the ACK message.

### 3.5.5.5 OBR Segment

All fields are optional except those listed in table below.

1650

**Table 3.5.5.5-1: OBR segment**

SEQ	LEN	DT	Usage	Card.	TBL#	ITEM#	Element name
1	4	SI	O	[0..1]		00237	Set ID – OBR
2	22	EI	RE	[0..1]		00216	Placer Order Number
3	22	EI	RE	[0..1]		00217	Filler Order Number
4	250	CE	R	[1..1]		00238	Universal Service Identifier
5	2	ID	X	[0..0]		00239	Priority – OBR
6	26	TS	X	[0..0]		00240	Requested Date/Time
7	26	TS	RE	[0..1]		00241	Observation Date/Time #
8	26	TS	RE	[0..1]		00242	Observation End Date/Time #
9	20	CQ	O	[0..1]		00243	Collection Volume *
10	250	XCN	O	[0..*]		00244	Collector Identifier *
11	1	ID	RE	[0..1]	0065	00245	Specimen Action Code *
12	250	CE	X	[0..0]		00246	Danger Code
13	300	ST	X	[0..0]		00247	Relevant Clinical Information
14	26	TS	X	[0..0]		00248	Specimen Received Date/Time *
15	300	SPS	X	[0..0]		00249	Specimen Source
16	250	XCN	R	[1..1]		00226	Ordering Provider
17	250	XTN	RE	[0..2]		00250	Order Callback Phone Number
18	60	ST	X	[0..0]		00251	Placer Field 1
19	60	ST	X	[0..0]		00252	Placer Field 2
20	60	ST	X	[0..0]		00253	Filler Field 1 +
21	60	ST	X	[0..0]		00254	Filler Field 2 +
22	26	TS	C	[0..1]		00255	Results Rpt/Status Chng - Date/Time +
23	40	MOC	X	[0..0]		00256	Charge to Practice +
24	10	ID	C	[0..1]	0074	00257	Diagnostic Serv Sect ID

**HL7 and HEALTH LEVEL SEVEN are the registered trademarks of Health Level Seven International.**

SEQ	LEN	DT	Usage	Card.	TBL#	ITEM#	Element name
25	1	ID	R	[1..1]	0123	00258	Result Status +
26	400	PRL	C	[0..1]		00259	Parent Result +
27	200	TQ	X	[0..0]		00221	Quantity/Timing
28	250	XCN	O	[0..*]		00260	Result Copies To
29	200	EIP	C	[0..1]		00261	Parent
30	20	ID	X	[0..0]	0124	00262	Transportation Mode
31	250	CE	O	[0..1]		00263	Reason for Study
32	200	NDL	O	[0..1]		00264	Principal Result Interpreter +
33	200	NDL	O	[0..1]		00265	Assistant Result Interpreter +
34	200	NDL	O	[0..1]		00266	Technician +
35	200	NDL	O	[0..1]		00267	Transcriptionist +
36	26	TS	O	[0..1]		00268	Scheduled Date/Time +
37	4	NM	O	[0..1]		01028	Number of Sample Containers *
38	250	CE	O	[0..1]		01029	Transport Logistics of Collected Sample *
39	250	CE	O	[0..1]		01030	Collector's Comment *
40	250	CE	X	[0..0]		01031	Transport Arrangement Responsibility
41	30	ID	X	[0..0]	0224	01032	Transport Arranged
42	1	ID	X	[0..0]	0225	01033	Escort Required
43	250	CE	X	[0..0]		01034	Planned Patient Transport Comment
44	250	CE	O	[0..1]	0088	00393	Procedure Code
45	250	CWE	O	[0..1]	0340	01316	Procedure Code Modifier
46	250	CE	O	[0..1]	0411	01474	Placer Supplemental Service Information
47	250	CE	O	[0..1]	0411	01475	Filler Supplemental Service Information
48	250	CWE	X	[0..0]	0476	01646	Medically Necessary Duplicate Procedure Reason.
49	2	IS	O	[0..1]	0507	01647	Result Handling

All field data should reflect LAB-4 transaction's OBR, except:

OBR-26 Parent Result (PRL)

1655

This field is used to report spawned orders in microbiology. See Section 3.11 for detailed specification of usage.

OBR-29 Parent (EIP)

**HL7 and HEALTH LEVEL SEVEN are the registered trademarks of Health Level Seven International.**

This field is used to report spawned orders in microbiology. See Section 3.11 for detailed specification of usage.

1660 **3.5.5.6 TCD Segment**

All fields are optional except those listed in table below.

**Table 3.5.5.6-1: TCD segment**

SEQ	LEN	DT	Usage	Card.	TBL#	ITEM#	Element name
1	250	CE	R	[1..1]		00238	Universal Service Identifier

1665

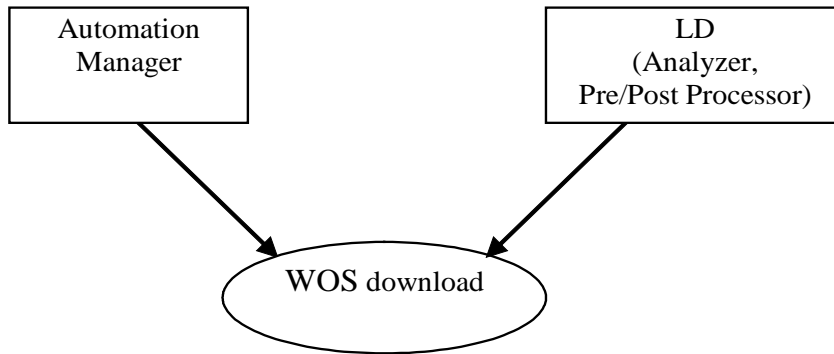
<p><b>HL7 and HEALTH LEVEL SEVEN are the registered trademarks of Health Level Seven International.</b></p>
---

### 3.6 Work Order Step Download to LD (LAB-21)

#### 3.6.1 Scope

1670 This transaction is used between an Automation Manager and a Laboratory Device working in download mode. It enables the AM to issue a new WOS to the LD, or cancel or modify an existing WOS previously sent to the LD. Modification may also be achieved by combining cancellation and sending of a new WOS.

#### 3.6.2 Use Case Roles



**Actor:** Automation Manager

1675 **Role:** Translates a Work Order into a series of WOS assigned to the LDs. Downloads a WOS related to a specimen to the appropriate LD.

**Actor:** (LD) Pre/Post-processor, Analyzer

**Role:** Performs the WOS on the specimen

#### 3.6.3 Referenced Standard

1680 HL7 v2.5, Chapter 4

#### 3.6.4 Interaction Diagram

**HL7 and HEALTH LEVEL SEVEN are the registered trademarks of Health Level Seven International.**

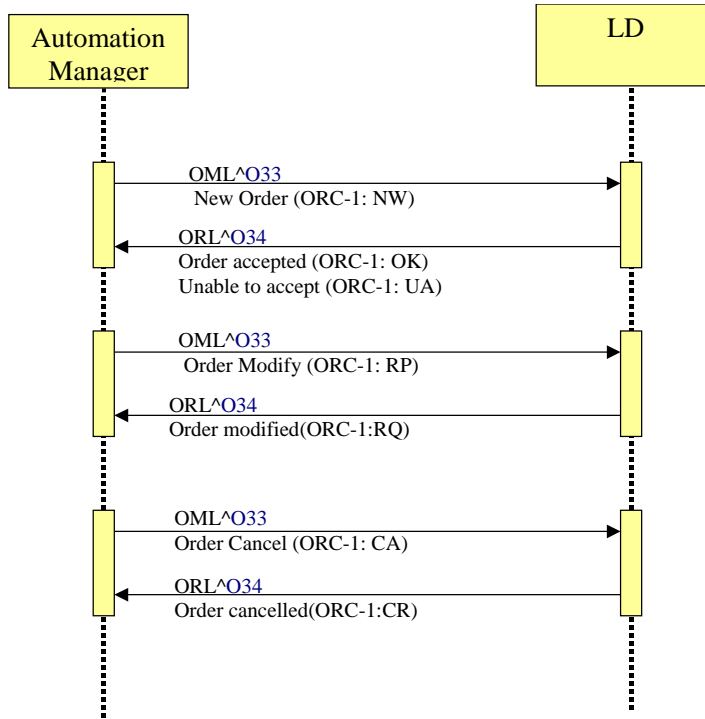


Figure 3.6.4-1: WOS management on LD in download mode

1685 **3.6.5 Message Static Definitions**

This transaction contains the messages used to download a Work Order Step (WOS) from the Automation Manager to the Analyzer or Pre/Post-processor. It includes “new WOS”, “update WOS”, “cancel WOS” and the related application acknowledgements.

**3.6.6 Trigger Events**

1690 OML (O33): Event on WOS sent by the Automation Manager.

ORL (O34): Acknowledgement sent by the LD.

**3.6.7 Message Semantics**

Table 3.6.7-1: OML^O33

Segment	Meaning	Usage	Card.	HL7 chapter
MSH	Message Header	R	[1..1]	2
[	--- PATIENT begin	O	[0..1]	
PID	Patient Identification	R	[1..1]	3
[[ NTE ]]	Notes and Comments (for Patient)	O	[0..*]	2

HL7 and HEALTH LEVEL SEVEN are the registered trademarks of Health Level Seven International.

Segment	Meaning	Usage	Card.	HL7 chapter
[ PV1 ]	Patient Visit	RE	[0..1]	3
]	--- PATIENT end			
{	--- SPECIMEN begin	R	[1..1]	
SPM	Specimen	R	[1..1]	7
[[SAC]]	Specimen Container	O	[0..1]	
{	--- ORDER begin	R	[1..1]	
ORC	Common Order (for one battery)	R	[1..1]	4
[[TQ1]]	Timing Quantity	RE	[0..1]	4
	--- OBSERVATION REQUEST begin	R	[1..1]	
OBR	Observation Request	R	[1..1]	4
[TCD]	Test Code Details	O	[0..1]	13
{	--- OBSERVATION begin	O	[0..*]	
OBX	Observation Result	R	[1..*]	7
[ TCD ]	Test Code Detail	O	[0..*]	13
[[ NTE ]]	Notes and Comments (for Results)	O	[0..*]	2
}}	--- OBSERVATION end			
[ {	--- PRIOR RESULT begin	O	[0..*]	
PV1	Patient Visit – previous result	R	[1..1]	3
{	--- ORDER PRIOR begin	R	[1..*]	
ORC	Common order – prior result	R	[1..1]	4
OBR	Order detail – prior result	R	[1..1]	4
{	--- OBSERVATION PRIOR begin	R	[1..*]	
OBX	Observation/Result – prior result	R	[1..*]	
[[NTE]]	Comment of the result	C	[0..*]	2
}	--- OBSERVATION PRIOR end			
}	--- ORDER PRIOR end			
}]	--- PRIOR RESULT end			
	--- OBSERVATION REQUEST end			
}	--- ORDER end			
}	--- SPECIMEN end			

1695

MSH-9 - Message Type (MSG) shall have its three components respectively valued to "OML", "O33" and "OML\_O33"

1700 SPM-11 Specimen Role (CWE) in SPM segment shall be coded ncel WOS” and the related application acknowledgedThe PRIOR RESULT segment group provides the prior results obtained for the same patient. Segment PID is not provided in this segment group because it is the same

**HL7 and HEALTH LEVEL SEVEN are the registered trademarks of Health Level Seven International.**

patient, and the laboratory is not concerned by the fact that this patient might have had a different identification when the prior results were produced.

1705 Segment PV1, which is the first segment of the segment group PRIOR RESULT, is mandatory. The presence of this segment at this point in the message structure announces unambiguously a set of prior orders with related prior observations. The segment PV1 represents the patient visit (or encounter) during which these prior observations were produced. The only field mandatory in the segment PV1 is PV1-2 "Patient Class". If the sender of this message does not know the patient class, it SHALL value the field PV1-2 "U", which stands for "patient class unknown".

1710 The ORC appearing in the PRIOR RESULT segment group is mandatory and SHALL have its first field "Order Control" populated with "PR" (Prior results).

Some LD need 'Observation OBX,TCD,NTE segments' (ex: analyzer). Therefore, the message carries optional OBSERVATION segment group to provide the analyzer with results related to the tests to be performed.

1715

**Table 3.6.7-2: ORL^O34**

Segment	Meaning	Usage	Card.	HL7 chapter
MSH	Message header	R	[1..1]	2
MSA	Message Acknowledgement	R	[1..1]	2
[[ERR]]	Error	O	[0..*]	2
[	--- RESPONSE begin	O	[0..1]	
[	--- PATIENT begin	R	[1..1]	
[PID]	Patient Identification	R	[1..1]	3
{	--- SPECIMEN begin	R	[1..*]	
SPM	Specimen	R	[1..1]	7
[[SAC]]	Specimen Container	O	[0..*]	13
[[	--- ORDER begin	O	[0..*]	
ORC	Common Order	R	[1..1]	4
[[TQ1]]	Timing/Quantity	RE	[0..1]	4
[OBR]	Observation Request	R	[1..1]	4
]]	--- ORDER end			
}	--- SPECIMEN end			
]	--- PATIENT end			
]	--- RESPONSE end			

MSH-9 - Message Type (MSG) shall have its three components respectively valued to "ORL", "O34" and "ORL\_O34".

**HL7 and HEALTH LEVEL SEVEN are the registered trademarks of Health Level Seven International.**

### 3.6.8 Expected Actions

1720 If the OML message with the Order Control Code NW is received from the Automation Manager, the LD will receive and register the order information, then it will transmit the result either “Accept” or “Reject” to the Automation Manager in an ORL message.

### 3.6.9 OBR Segment

All fields are optional except those listed in table below.

1725

**Table 3.6.9-1: OBR Segment**

SEQ	LEN	DT	Usage	Card.	TBL #	ITEM#	Element name
2	22	EI	R	[1..1]		00216	Placer Order Number
3	22	EI	RE	[0..1]		00217	Filler Order Number
4	250	CE	R	[1..1]		00238	Universal Service Identifier
5	2	ID	X	[0..0]		00239	Priority – OBR
6	26	TS	X	[0..0]		00240	Requested Date/Time
7	26	TS	X	[0..0]		00241	Observation Date/Time #
8	26	TS	X	[0..0]		00242	Observation End Date/Time #
9	20	CQ	X	[0..0]		00243	Collection Volume *
11	1	ID	RE	[0..1]	0065	00245	Specimen Action Code *
12	250	CE	X	[0..0]		00246	Danger Code
13	300	ST	X	[0..0]		00247	Relevant Clinical Information
14	26	TS	X	[0..0]		00248	Specimen Received Date/Time *
15	300	SPS	X	[0..0]		00249	Specimen Source
16	250	XCN	R	[1..1]		00226	Ordering Provider
17	250	XTN	RE	[0..2]		00250	Order Callback Phone Number
18	60	ST	X	[0..0]		00251	Placer Field 1
19	60	ST	X	[0..0]		00252	Placer Field 2
20	60	ST	X	[0..0]		00253	Filler Field 1 +
21	60	ST	X	[0..0]		00254	Filler Field 2 +
22	26	TS	X	[0..0]		00255	Results Rpt/Status Chng - Date/Time +
23	40	MOC	X	[0..0]		00256	Charge to Practice +
24	10	ID	C	[0..1]	0074	00257	Diagnostic Serv Sect ID
25	1	ID	X	[0..0]	0123	00258	Result Status +
26	400	PRL	X	[0..0]		00259	Parent Result +
27	200	TQ	X	[0..0]		00221	Quantity/Timing
29	200	EIP	X	[0..0]		00261	Parent
30	20	ID	X	[0..0]	0124	00262	Transportation Mode
40	250	CE	X	[0..0]		01031	Transport Arrangement Responsibility

**HL7 and HEALTH LEVEL SEVEN are the registered trademarks of Health Level Seven International.**



SEQ	LEN	DT	Usage	Card.	TBL #	ITEM#	Element name
41	30	ID	X	[0..0]	0224	01032	Transport Arranged
42	1	ID	X	[0..0]	0225	01033	Escort Required
43	250	CE	X	[0..0]		01034	Planned Patient Transport Comment
48	250	CWE	X	[0..0]	0476	01646	Medically Necessary Duplicate Procedure Reason.

### 3.6.10 TCD Segment

1730

Table 3.6.10-1: TCD Segment

SEQ	LEN	DT	Usage	Card.	TBL #	ITEM#	Element name
1	250	CE	R	[1..1]		00238	Universal Service Identifier
2	20	SN	O	[0..1]		01420	Auto-Dilution Factor
3	20	SN	O	[0..1]		01421	Rerun Dilution Factor
4	20	SN	O	[0..1]		01422	Pre-Dilution Factor
5	20	SN	O	[0..1]		01413	Endogenous Content of Pre-Dilution Diluent
6	1	ID	O	[0..1]	0136	01416	Automatic Repeat Allowed
7	1	ID	O	[0..1]	0136	01424	Reflex Allowed
8	250	CE	O	[0..1]	<a href="#">0389</a>	01425	Analyte Repeat Status

Note: Universal Service Identifier is a copy of OBR-4.

**HL7 and HEALTH LEVEL SEVEN are the registered trademarks of Health Level Seven International.**

### 3.7 WOS Query (LAB-22)

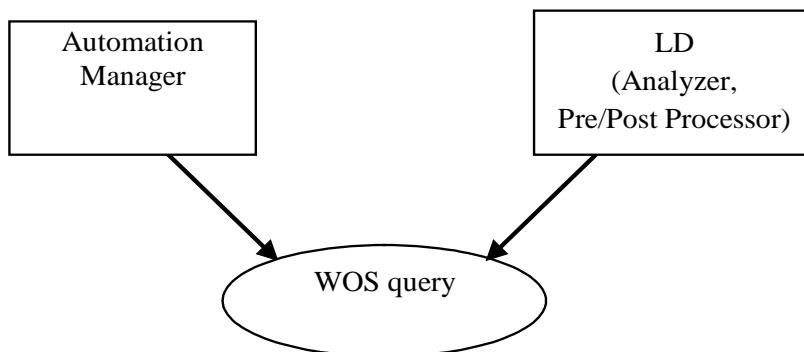
1735 This transaction is used between an Automation Manager and a Laboratory Device working in query mode. It enables the AM to issue a new WOS to the LD, or cancel or modify an existing WOS previously sent to the LD. Modification may also be achieved by combining cancellation and sending of a new WOS.

1740 This transaction is used by the LD to get the WOS to perform for each specimen by querying the Automation Manager after specimen recognition. The transaction provides a query for multiple specimens and the reply will carry zero or one container and one WOS for each specimen. The Automation Manager and the LD preserve the conformity between the specimen and the WOS by checking the Specimen Information (Specimen ID and the like) within the message.

#### 3.7.1 Scope

1745 This transaction is used by the general use case “Query for the WOS after specimen arrival on the LD” It is used by the Automation Manager (Laboratory Automation System) and the LD which supports "Query Mode".

#### 3.7.2 Use Case Roles



**Actor:** Automation Manager

1750 **Role:** Manages the Work Orders and WOS. Responds with the appropriate WOS to a query from the LD.

**Actor:** (LD) Pre/Post-processor, Analyzer

**Role:** Queries the Automation Manager for a WOS related to the specimen, and receives the WOS as the response.

#### 1755 3.7.3 Referenced Standard

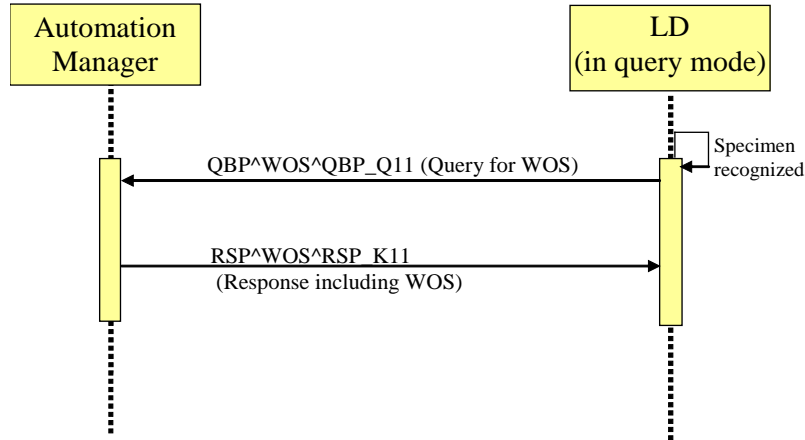
HL7 version 2.5:

- Chapter5: "Query" --> QBP and RSP messages

**HL7 and HEALTH LEVEL SEVEN are the registered trademarks of Health Level Seven International.**

- Chapter5: "Query" --> QPD, RCP and QAK segments

1760 **3.7.4 Interaction Diagram**



**Figure 3.7.4-1: WOS management on LD in download mode**

**3.7.5 Message Static Definitions**

1765 After the LD working in query mode recognizes one or more specimens, the LD sends "WOS Query Message"(QBP^WOS^QBP\_Q11) with one or more Specimen IDs or other IDs to the Automation Manager.

The Automation Manager replies with the response message (RSP^WOS^RSP\_K11) containing one or more WOS for each specimen identified in the query.

1770 **3.7.5.1 Trigger Events**

QBP(Q11) : Query for the WOS sent by the LD.

RSP(K11) : Response including the WOS sent by the Automation Manager.

**3.7.5.2 Message Semantics**

1775

**Table 3.7.5.2-1: QBP^WOS^QBP\_Q11**

Segment	Meaning	Usage	Card.	HL7 chapter
MSH	Message header	R	[1..1]	2
[[SFT]]	Software Segment	O	[0..*]	2
QPD	Query Parameter Definition	R	[1..1]	5
RCP	Response Control Parameter	R	[1..1]	5

**HL7 and HEALTH LEVEL SEVEN are the registered trademarks of Health Level Seven International.**

Segment	Meaning	Usage	Card.	HL7 chapter
[DSC]	Continuation Pointer	O	[0..1]	2

MSH-9 - Message Type (MSG) shall have its two first components respectively valued to "QBP" and "Q11".

1780

Table 3.7.5.2-2: RSP^WOS^RSP\_K11

Segment	Meaning	Usage	Card.	HL7 chapter
MSH	Message header	R	[1..1]	2
[[SFT]]	Software Segment	O	[0..*]	2
MSA	Message Acknowledgement	R	[1..1]	2
[ERR]	Error	O	[0..1]	2
QAK	Query Acknowledgement	R	[1..1]	5
QPD	Query Parameter Definition	R	[1..1]	5
{	--- SPECIMEN begin	C	[0..*]	
SPM	Specimen	R	[1..1]	7
[[OBX]]	Observation related to specimen	O	[0..*]	7
[[SAC]]	Specimen Container	RE	[0..1]	13
[	--- PATIENT begin	O	[0..1]	
PID	Patient Identification	R	[1..1]	3
[[NTE]]	Notes and Comments (for Patient)	O	[0..*]	2
[[OBX]]	Observation related to the patient	O	[0..*]	7
]	--- PATIENT end			
{	--- ORDER begin	R	[1..1]	
ORC	Common Order	R	[1..1]	4
[[NTE]]	Notes and Comments (for Common Order)	O	[0..*]	2
[[TQ1]]	Timing/Quantity	RE	[0..1]	4
[	--- OBSERVATION REQUEST begin	O	[0..1]	
OBR	Observation Request	R	[1..1]	4
[ TCD ]	Test Code Details	O	[0..1]	13
[[NTE]]	Notes and Comments (for ordered test code)	O	[0..*]	2
[[	--- OBSERVATION begin	O	[0..*]	
OBX	Observation/Result	R	[1..*]	7
[ TCD ]	Test Code Detail	O	[0..*]	13
[[ NTE ]]	Notes and Comments (for Results)	O	[0..*]	2

**HL7 and HEALTH LEVEL SEVEN are the registered trademarks of Health Level Seven International.**

Segment	Meaning	Usage	Card.	HL7 chapter
}}	--- OBSERVATION end			
]	--- OBSERVATION REQUEST end			
[ {	--- PRIOR RESULT begin	O	[0..*]	
PV1	Patient Visit – previous result	R	[1..1]	3
{	--- ORDER PRIOR begin	R	[1*]	
ORC	Common order – previous result	R	[1..1]	4
OBR	Order detail – previous result	R	[1..1]	4
{	--- OBSERVATION PRIOR begin	R	[1..*]	
OBX	Observation/Result – previous result	R	[1..1]	
[ {NTE} ]	Comment of the result	C	[0..*]	2
}	--- OBSERVATION PRIOR end			
}	--- ORDER PRIOR end			
}]	--- PRIOR RESULT end			
}	--- ORDER end			
}	--- SPECIMEN end			

MSH-9 - Message Type (MSG) shall have its two first components respectively valued to "RSP" and "K11".

1785 SPM-11 Specimen Role (CWE) in SPM segment shall be coded "Q" (Control specimen) in the case of a QC AWOS.

If the query was not based on the specimen ID, the response shall contain a SAC segment.

Some LD need 'Observation OBX,TCD,NTE segments' (ex: analyzer). Therefore, the response message carries optional OBSERVATION segment group to provide the analyzer with results related to the tests to be performed.

1790 The SPECIMEN segment group is not present in case of an erroneous query (e.g., barcode read error).

The PRIOR RESULT segment group provides the prior results obtained for the same patient. Segment PID is not provided in this segment group because it is the same patient, and the laboratory is not concerned by the fact that this patient might have had a different identification when the prior results were produced.

1795 Segment PV1, which is the first segment of the segment group PRIOR RESULT, is mandatory. The presence of this segment at this point in the message structure announces unambiguously a set of prior orders with related prior observations. The segment PV1 represents the patient visit

**HL7 and HEALTH LEVEL SEVEN are the registered trademarks of Health Level Seven International.**

1800 (or encounter) during which these prior observations were produced. The only field mandatory in the segment PV1 is PV1-2 “Patient Class”. If the sender of this message does not know the patient class, it SHALL value the field PV1-2 “U”, which stands for “patient class unknown”.

The ORC appearing in the PRIOR RESULT segment group is mandatory and SHALL have its first field “Order Control” populated with “PR” (Prior results).

**3.7.5.3 Expected Actions**

1805 When specimen arrives on the LD which supports "Query Mode", the LD sends a QBP message to the Automation Manager to get WOS. This QBP message may have one or more Specimen IDs/Container IDs.

1810 The Automation Manager receives the QBP message and prepares the appropriate WOS by checking IDs contained in the QBP message. The Automation Manager returns the RSP message with WOS to the LD immediately. The LD receives WOS and performs processing for the specimen.

Even if the Automation Manager could not prepare WOS for one or more IDs, the RSP message must have SPM segments of the same number as IDs contained in the QBP message. OBR/TCID segments can be omitted.

1815 **3.7.5.4 QPD Segment**

**Table 3.7.5.4-1: QPD segment**

SE Q	LEN	DT	Usage	Car d.	TBL#	ITEM#	Element name
1	60	CE	R	[1..1]		01375	Message Query Name
2	32	ST	R	[1..1]		00696	Query Tag
3	80	EIP	C	[0..*]		01756	SPM-2:Specimen Identification
4	80	EI	C	[0..*]		01331	SAC-3:Container Identification
5	80	EI	C	[0..1]		01337	SAC-10:Carrier Identification
6	80	NA	C	[0..1]		01338	SAC-11:Position in Carrier
7	80	EI	C	[0..1]		01340	SAC-13:Tray Identification
8	80	NA	C	[0..1]		01341	SAC-14:Position in Tray
9	250	CE	C	[0..*]		01342	SAC-15:Location

1820 **QPD-1 Message Query Name (CE)**, required.  
Must be valued "WOS^Work Order Step^IHE\_LABTF"

**QPD-2 Query Tag (ST)**, required.  
Unique to each query message instance.

**HL7 and HEALTH LEVEL SEVEN are the registered trademarks of Health Level Seven International.**

**QPD-3 Specimen Identification (EIP), conditional.**

1825 As for the 1st component "Placer Assigned Identifier"(EI), contains the placer assigned identifier and its assigning authority.

As for the 2nd component "Filler Assigned Identifier"(EI), contains the filler assigned identifier and its assigning authority.

If this field is valued all other query fields shall be empty.

**QPD-4 Container Identification (EI), conditional.**

1830 Contains the identification of the container.

**QPD-5 Carrier Identification (EI), conditional.**

Contains the identification of the carrier (also known as Rack).

If this field is valued, then the field "QPD-6:Position in Carrier" shall also be valued.

1835 If these 2 fields(QPD-5,6) are valued all other query fields shall be empty, with the possible exception of the Location field(QPD-9).

**QPD-6 Position in Carrier (NA), conditional.**

Contains the positions of the specimen/aliquot on the carrier (rack).

If this field is valued, then the field "QPD-5: Carrier Identification" shall also be valued.

**QPD-7 Tray Identification (EI), conditional.**

1840 Contains the identification of the Tray.

**QPD-8 Position in Tray (NA), conditional.**

Contains the position of the carrier on the tray.

**QPD-9 Location (CE), conditional.**

Contains the physical location of the specimen.

1845 This field cannot be valued in isolation, it must always be combined with the physical location/position of the specimen on either a carrier or a tray.

This field shall never be used in combination with either the specimen identification or the container identification fields.

**3.7.5.5 RCP Segment**

1850

**Table 3.7.5.5-1: RCP segment**

SEQ	LEN	DT	Usage	Card.	TBL#	ITEM#	Element name
1	1	ID	O	[0..1]	0091	00027	Query Priority
2	10	CQ	O	[0..1]	0126	00031	Quantity Limited Request
		NM					
		CE					
3	60	CE	O	[0..1]	0394	01440	Response Modality
7	256	ID	O	[0..*]		01594	Segment group inclusion

**HL7 and HEALTH LEVEL SEVEN are the registered trademarks of Health Level Seven International.**

RCP-1 Query Priority(ID), optional. Fixed to "I" (=Immediate). If no value is given, the default is "I".

1855 RCP-2 Quantity Limited Request(CQ), optional. As for the 1st component "Quantity"(NM), Number of Records which will be returned in each increment of the response. If no value is given, the entire response will be returned in a single increment.  
As for the 2nd component "Units"(CE), "RD"(=Records) is always set. If no value is given, the default is RD.

1860 RCP-3 Response Modality(CE), optional. Fixed to "R" (=Realtime). If no value is given, the default is "R".

RCP-7 Segment group inclusion(ID), optional. Specifies those optional segment groups which are to be included in the response. If this field is not valued, all segment groups will be included.

**HL7 and HEALTH LEVEL SEVEN are the registered trademarks of Health Level Seven International.**

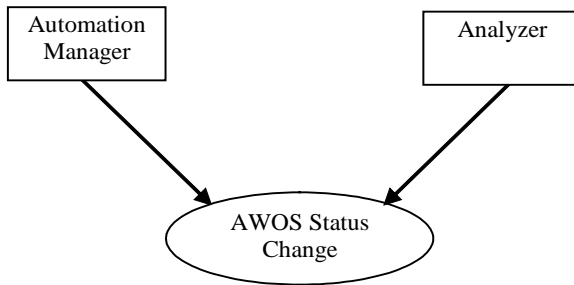


1865 **3.8 AWOS Status Change (LAB-23)**

**3.8.1 Scope**

This transaction is used by the Analyzer to send test results to the Automation Manager.

**3.8.2 Use Case Roles**



1870 **Actor:** Automation Manager

**Role:** Manages Analyzer in order to implement the AWOS. Receives the test results from Analyzer, performs technical validation, then sends the validated results to Order filler

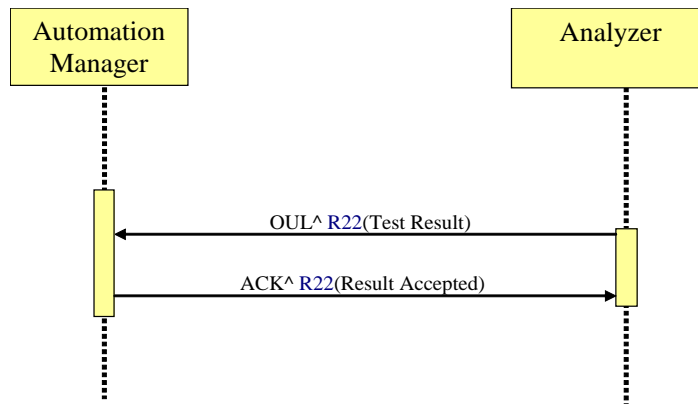
**Actor:** Analyzer

**Role:** Analyzes the specimen and outputs the test results.

1875 **3.8.3 Referenced Standard**

HL7 Version 2.5--mainly referred to in Chapter 7.

**3.8.4 Interaction Diagram**



**Figure 3.8.4-1: AWOS Status change**

1880 **3.8.5 Message Static Definitions**

HL7 and HEALTH LEVEL SEVEN are the registered trademarks of Health Level Seven International.

This transaction contains the messages used by the Analyzer to report the status of an AWOS (such as “specimen arrived”, “first run failed”, “second run started”, “AWOS complete”...) and to send the tests results when the AWOS is complete. It also includes the related applicative acknowledgements from the Automation Manager.

### 1885 3.8.5.1 Trigger Events

Analyzer sends test results. Automation Manager returns acknowledgement.

### 3.8.5.2 Message Semantics

**Table 3.8.5.2-1: OUL^R22**

Segment	Meaning	Usage	Card.	HL7 chapter
MSH	Message header	R	[1..1]	2
[	PATIENT begin	RE	[0..1]	
PID	Patient Identification	R	[1..1]	3
[[NTE]]	Notes and Comments (for patient)	O	[0..*]	2
]	PATIENT end			
[	VISIT begin	O	[0..1]	
PV1	Patient Visit	R	[1..1]	3
]	VISIT end			
{	--- SPECIMEN begin	R	[1..1]	
SPM	Specimen information	R	[1..1]	7
[[OBX]]	Observation Result (for Specimen)	O	[0..*]	7
[[	--- CONTAINER begin	O	[0..1]	
SAC	Container information	R	[1..1]	13
[INV]	Detailed Substance information (e.g., id, lot, manufacturer, ... of QC specimen)	O	[0..1]	13
]]	--- CONTAINER end			
{	--- ORDER begin	R	[1..1]	
OBR	Observation Order	R	[1..1]	7
[ORC]	Common Order	O	[0..1]	4
[[NTE]]	Comment on the Work Order Step	O	[0..*]	2
[[	--- RESULT begin	O	[0..*]	
OBX	Observation Result	R	[1..1]	7
[TCD]	Test Code Detail	C <sup>*1</sup>	[0..1]	13
[[SID]]	Substance Identifier (e.g., reagents used for testing)	C <sup>*1</sup>	[0..*]	13

\*1 If it is patient sample, this is Optional. If it is a QC sample it is Mandatory if it is available.

**HL7 and HEALTH LEVEL SEVEN are the registered trademarks of Health Level Seven International.**

Segment	Meaning	Usage	Card.	HL7 chapter
[[NTE]]	Notes and comments	O	[0..*]	
]]	--- RESULT end			
}	--- ORDER end			
}	--- SPECIMEN end			

1890

**Table 3.8.5.2-2: ACK^R22**

Segment	Meaning	Usage	Card.	HL7 chapter
MSH	Message header	R	[1..1]	2
MSA	Message Acknowledgement	R	[1..1]	2
[ERR]	Error	O	[0..1]	2

MSH-9 - Message Type (MSG) shall have its three components respectively valued to "OUL", "R22" and "OUL\_R22".

1895

SPM-11 Specimen Role (CWE) in SPM segment shall be coded "Q" (Control specimen) in the case of a QC AWOS.

**3.8.5.3 Expected Actions**

Analyzer notifies Automation Manager of the test results using the OUL message . Automation Manager accepts and registers information, and responds to the Analyzer with the ACK message.

**3.8.5.4 OBR Segment**

1900

All fields are optional except those listed in table below.

**Table 3.8.5.4-1: OBR segment**

SEQ	LEN	DT	Usage	Card.	TBL#	ITEM#	Element name
2	22	EI	RE	[0..1]		00216	Placer Order Number
3	22	EI	RE	[0..1]		00217	Filler Order Number
4	250	CE	R	[1..1]		00238	Universal Service Identifier
5	2	ID	X	[0..0]		00239	Priority – OBR
6	26	TS	X	[0..0]		00240	Requested Date/Time
7	26	TS	RE	[0..1]		00241	Observation Date/Time #
8	26	TS	RE	[0..1]		00242	Observation End Date/Time #
11	1	ID	RE	[0..1]	0065	00245	Specimen Action Code *
12	250	CE	X	[0..0]		00246	Danger Code
13	300	ST	X	[0..0]		00247	Relevant Clinical Information
14	26	TS	X	[0..0]		00248	Specimen Received Date/Time *
15	300	SPS	X	[0..0]		00249	Specimen Source

**HL7 and HEALTH LEVEL SEVEN are the registered trademarks of Health Level Seven International.**

SEQ	LEN	DT	Usage	Card.	TBL#	ITEM#	Element name
16	250	XCN	R	[1..1]		00226	Ordering Provider
17	250	XTN	RE	[0..2]		00250	Order Callback Phone Number
18	60	ST	X	[0..0]		00251	Placer Field 1
19	60	ST	X	[0..0]		00252	Placer Field 2
20	60	ST	X	[0..0]		00253	Filler Field 1 +
21	60	ST	X	[0..0]		00254	Filler Field 2 +
22	26	TS	C	[0..1]		00255	Results Rpt/Status Chng - Date/Time +
23	40	MOC	X	[0..0]		00256	Charge to Practice +
24	10	ID	C	[0..1]	0074	00257	Diagnostic Serv Sect ID
25	1	ID	R	[1..1]	0123	00258	Result Status +
27	200	TQ	X	[0..0]		00221	Quantity/Timing
30	20	ID	X	[0..0]	0124	00262	Transportation Mode
40	250	CE	X	[0..0]		01031	Transport Arrangement Responsibility
41	30	ID	X	[0..0]	0224	01032	Transport Arranged
42	1	ID	X	[0..0]	0225	01033	Escort Required
43	250	CE	X	[0..0]		01034	Planned Patient Transport Comment
48	250	CWE	X	[0..0]	0476	01646	Medically Necessary Duplicate Procedure Reason.

All field data should reflect LAB-21,22 transaction's OBR.

1905 **3.8.5.5 TCD Segment**

All fields are optional except those listed in table below.

**Table 3.8.5.5-1: TCD segment**

SEQ	LEN	DT	Usage	Card.	TBL#	ITEM#	Element name
1	250	CE	R	[1..1]		00238	Universal Service Identifier

1910

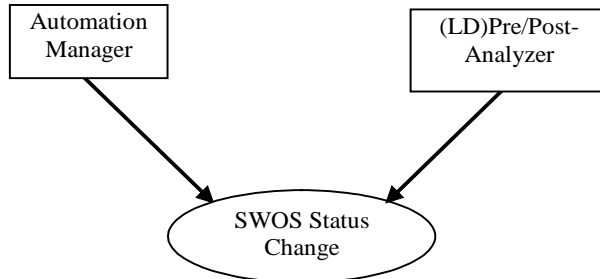
**HL7 and HEALTH LEVEL SEVEN are the registered trademarks of Health Level Seven International.**

### 3.9 SWOS Status Change (LAB-26)

#### 3.9.1 Scope

This transaction is used when the Pre/Post Processor transmits a Process Results to the Automation Manager.

1915 **3.9.2 Use Case Roles**



**Actor:** Automation Manager

**Role:** Manages the SWOS

**Actor:** *(LD) Pre/Post Processor*

1920 **Role:** Manages the Pre/Post-analysis process on the specimen and generates a Process Result or Specimen Status Message.

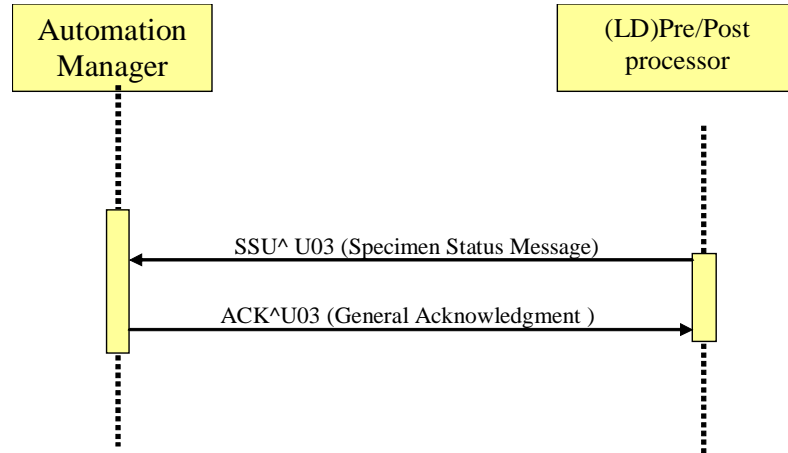
#### 3.9.3 Referenced Standard

HL7 Version 2.5--mainly referred to in Chapter 7 and Chapter13.

#### 3.9.4 Interaction Diagram

1925

**HL7 and HEALTH LEVEL SEVEN are the registered trademarks of Health Level Seven International.**



**Figure 3.9.4-1: Unsolicited SWOS Status Change from Pre/Post Processor**

### 3.9.5 Message Static Definitions

1930 This transaction contains the messages used by the Pre or Post-Processor to report all the status changes of the SWOS, and the related application acknowledgements. Status changes include: “specimen arrived”, “SWOS complete”, “SWOS failed”...

#### 3.9.5.1 Trigger Events

SSU (U03): Pre/Post Processor transmits a Specimen Status Update Message.

1935 ACK (U03): Automation Manager sends the affirmative response.

#### 3.9.5.2 Message Semantics

**Table 3.9.5.2-1: SSU^U03**

Segment	Meaning	Usage	Card.	HL7 chapter
MSH	Message header	R	[1..1]	2
EQU	Equipment Detail	R	[1..1]	13
{	--- SPECIMEN_CONTAINER begin	R	[1..1]	
SAC	Specimen Container Detail	R	[1..1]	13
{ [ OBX ] }	Additional specimen characteristics	O	[0..*]	7
[ {	--- SPECIMEN begin	O	[0..1]	
SPM	Specimen information	R	[1..1]	7
{ [ OBX ] }	Observation Result (for Specimen)	O	[0..*]	7
} ]	--- SPECIMEN end			

**HL7 and HEALTH LEVEL SEVEN are the registered trademarks of Health Level Seven International.**

Segment	Meaning	Usage	Card.	HL7 chapter
}	--- SPECIMEN_CONTAINER end			

1940

**Table 3.9.5.2-2: ACK^U03**

Segment	Meaning	Usage	Card.	HL7 chapter
MSH	Message header	R	[1..1]	2
MSA	Message Acknowledgement	R	[1..1]	2
[ERR]	Error	O	[0..1]	2

### 3.9.5.3 Expected Actions

The Pre/Post Processor sends a Process Result using the SSU message to the Automation Manager. The Automation Manager accepts and registers the Process Result, and responds to the Pre/Post Processor using the ACK message.

Note: The SSU message might appear too restrictive to meet future needs for carrying the output data of a SWOS, brought along by specific pre or post processing devices. If such a use case appears in the future for a specific device, alternative messages will be studied to extend this profile.

## 1950 4 Real World Use Cases

### 4.1 Guidelines

Each of the real world use cases in this section are to be considered as a template for handling a category of laboratory testing throughout all the transactions of the Laboratory Technical Framework. Only the major steps and interactions are described.

1955 Each use case is described by a storyboard that describes the complete workflow in chronological order, completed by an interaction diagram, and illustrated by the most significant messages of this workflow.

The message descriptions are abbreviated, to focus on the main points of interest.

For brevity, only some of the application acknowledgements are shown.

1960 The actors' names are abbreviated with their initials (OP, OF, AM, ORT). These abbreviations are also used in the MSH-3 (sending application) and MSH-5 (receiving application) fields.

All use cases assume that the placer order is related to a placer group number (ORC-4).

All tests are identified in OBX segments by their LOINC code when available.

Colors point out key information in the messages.

<b>HL7 and HEALTH LEVEL SEVEN are the registered trademarks of Health Level Seven International.</b>
--

1965 **4.2 Two Hematology Batteries on a Blood Specimen****4.2.1 Storyboard**

This example corresponds to the use case described in Volume 1 as “Externally placed order with specimens unidentified or to be collected by the laboratory”. The specimen is not identified by the ordering care unit.

1970 Dr. Physician orders two batteries of tests on the same specimen: blood count and differential blood count.

Human actors and organizations participating to the process:

Assigning authority: Abbeville Hospital  
 Placer: Urology department  
 1975 Filler: Cytology laboratory  
 Ordering facility: Urology  
 Patient: John Ill, Patient hospital identifier: 6543210, Patient visit number: 999888, class = inpatient  
 Orderer: Dr. Uro  
 1980 Placer order enterer: Janet Nurse  
 Specimen collector: John Collect  
 Technician: Marc Techos  
 Clinical expert: Jane Cyto

ID numbers used by the workflow:

ID number	Value	Assigned by
Patient hospital ID	6543210	Admission office (ADT)
Patient visit number	9998888	Admission office (ADT)
Care unit order group	555	Urology department (OP)
Care unit order (1st battery)	9876543	Urology department (OP)
Care unit order (2nd battery)	9876544	Urology department (OP)
Laboratory order (1st battery) idem for work order	456	Cytology laboratory (OF)
Laboratory order (2nd battery) idem for work order	457	Cytology laboratory (OF)
Work Order Step Code (1st battery)	456	Cytology laboratory (AM)
Work Order Step Code (2nd battery)	457	Cytology laboratory (AM)
Specimen	456_1	Cytology laboratory (OF)

1985

**HL7 and HEALTH LEVEL SEVEN are the registered trademarks of Health Level Seven International.**



**LAB-1 interaction:** The Care Unit collects a specimen related to an order for a blood count and a differential count, and sends the specimen to the chemistry laboratory. The Order Placer sends a message “new order” (NW) accompanying the specimen, to let the laboratory start the testing.

1990

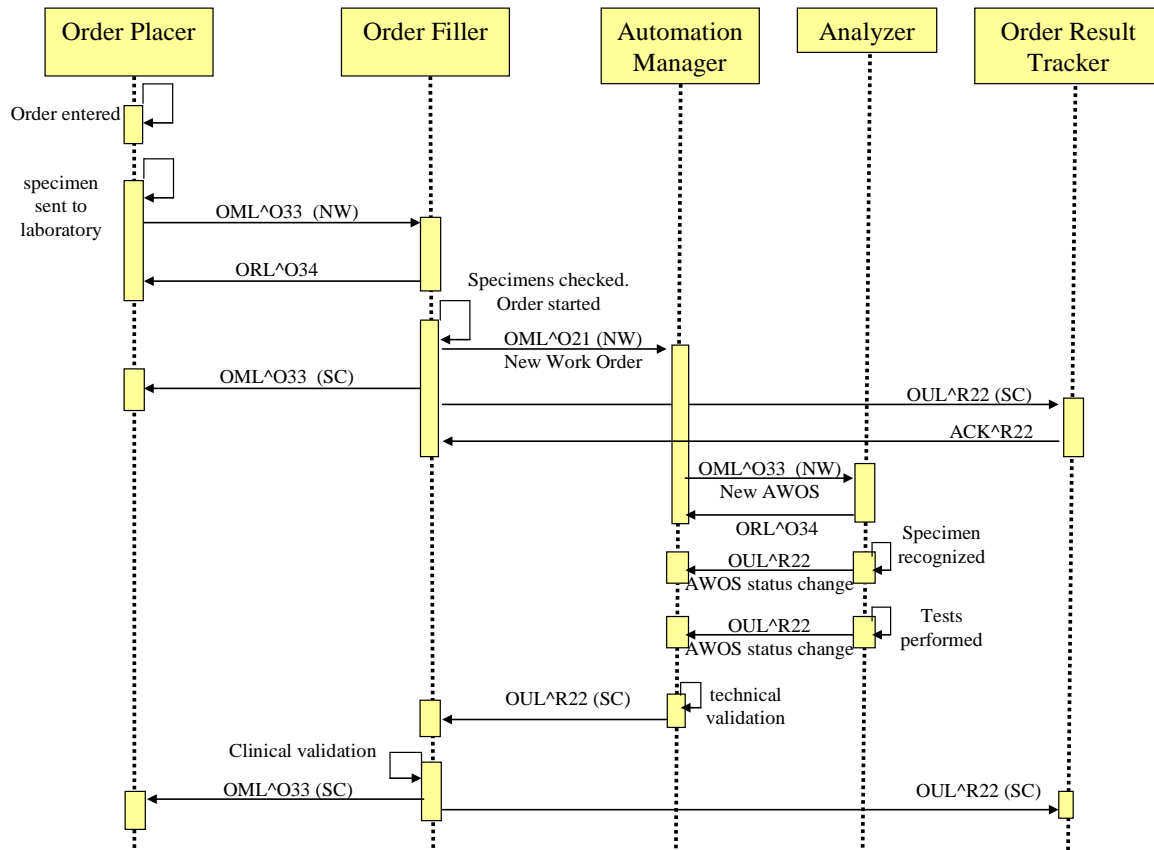
**LAB-4, LAB-1 and LAB-3 interactions:** The laboratory checks the specimen and schedules the work. An identifier is assigned to the specimen by the Order Filler and the corresponding identification label is printed out. The Order Filler sends a unique work order to the Automation Manager. The Order Filler notifies both Order Placer and Order Result Tracker of the scheduled work.

1995

**LAB-5, LAB-1 and LAB-3 interactions:** After technical validation by a laboratory technician (Marc Techos), the Automation Manager sends back all the observations to the Order Filler.

**LAB-1 and LAB-3 interactions:** After clinical validation, the Order Filler notifies the results to the Order Result Tracker, and notifies the status change to the Order Placer.

### 4.2.2 Interaction Diagram



2000

### 4.2.3 Messages

HL7 and HEALTH LEVEL SEVEN are the registered trademarks of Health Level Seven International.

### 4.2.3.1 LAB-1 (OP → OF): Message “New order” with one Specimen

A new placer order sent to the Order Filler:

```

2005 MSH|^~\&|OP|Urology|OF|Cytology|200310060820||OML^O33^OML_O33|001|T|2.5| |||USA||EN
PID|1||6543210^^^Abbeville Hospital^PI||ILL^JOHN^^^^L||19810101|M
PV1|1|I|||||||||||||9998888
SPM|1||BLD|||||P|||||200310060735| |||||1
ORC|NW|9876543^Urology||555^Urology
|||200310060710|^NURSE^JANET|||||||Urology^^^^^FI^^^UR01
2010 TQ1|1|||||R
OBR|1|9876543^Urology||85027^Hemogram and platelet count, automated^C4|
|||^COLLECT^JOHN|||||^URO^^^^DR
ORC|NW|9876544^Urology||555^Urology
|||200310060710|^NURSE^JANET|||||||Urology^^^^^FI^^^UR01
2015 TQ1|1|||||R
OBR|1|9876544^Urology||85009^Differential WBC Count, buffy coat^C4|
|||^COLLECT^JOHN|||||^URO^^^^DR
    
```

The related acknowledgement message isn't shown.

2020

### 4.2.3.2 LAB-4 (OF → AM): Message “New order”

A new work order is sent to the Automation Manager:

```

2025 MSH|^~\&|OF|Cytology|AM|Automation|200310060825||OML^O33^OML_O33|101|T|2.5| |||USA||EN
PID|1||6543210^^^Abbeville Hospital^PI||ILL^JOHN^^^^L||19810101|M
PV1|1|I|||||||||||||9998888
SPM|1|456_1^Cytology||BLD|||||P|||||200310060735|200310060821| |||||1
ORC|NW||555^Urology|||200310060710|^NURSE^JANET|||||||Urology^^^^^FI^^^UR01
TQ1|1|||||R
2030 OBR|1|456^Cytology||85027^Hemogram and platelet count, automated^C4|
|||^COLLECT^JOHN|||||^URO^^^^DR
ORC|NW||555^Urology|||200310060710|^NURSE^JANET|||||||Urology^^^^^FI^^^UR01
TQ1|1|||||R
OBR|1|457^Cytology||85009^Differential WBC Count, buffy coat^C4|
|||^COLLECT^JOHN|||||^URO^^^^DR
    
```

2035

Acknowledgement sent by the Automation Manager:

```

2040 MSH|^~\&|AM|Automation|OF|Cytology|200310060826||ORL^O34^ORL_O34|301|T|2.5| |||USA||EN
MSA|AA|101
PID|1||6543210^^^Abbeville Hospital^PI||ILL^JOHN^^^^L||19810101|M
SPM|1|456_1^Cytology||BLD|||||P|||||200310060735|200310060821| |||||1
ORC|OK||555^Urology|SC|||200310060710|^NURSE^JANET|||||||
Urology^^^^^FI^^^UR01
TQ1|1|||||R
2045 OBR|1|456^Cytology||85027^Hemogram and platelet count, automated^C4|
|||^COLLECT^JOHN|S|||||^URO^^^^DR
ORC|OK||555^Urology|SC|||200310060710|^NURSE^JANET|||||||
Urology^^^^^FI^^^UR01
TQ1|1|||||R
2050 OBR|1|457^Cytology||85009^Differential WBC Count, buffy coat^C4|
    
```

**HL7 and HEALTH LEVEL SEVEN are the registered trademarks of Health Level Seven International.**

||||^COLLECT^JOHN|S||||^URO^^^^DR

#### 4.2.3.3 LAB-1 (OF → OP): Message “Status changed”

The placer order has been assigned a filler order number, the specimen is available and identified by the laboratory:

2055

MSH|^~\&|OF|Cytology|OP|Urology|200310060825||OML^O33^OML\_O33|108|T|2.5|||||USA||EN  
 PID|1||6543210^^^Abbeville Hospital^PI||ILL^JOHN^^^^L||19810101|M

PV1|1|I|||||||9998888

2060

SPM|1|456\_1^Cytology|BLD|||||P|||||200310060735|200310060821||Y|||||1

ORC|SC|9876543^Urology||555^Urology|IP|||||200310060710|^NURSE^JANET|||||||

Urology^^^^^FI^^^UR01

TQ1|1|||||||R

OBR|1|9876543^Urology|456^Cytology|85027^Hemogram and platelet count, automated^C4|

||||^COLLECT^JOHN|P||||^URO^^^^DR|||||||I

2065

ORC|SC|9876544^Urology||555^Urology|IP|||||200310060710|^NURSE^JANET|||||||

Urology^^^^^FI^^^UR01

TQ1|1|||||||R

OBR|1|9876544^Urology|457^Cytology|85009^Differential WBC Count, buffy coat^C4|

||||^COLLECT^JOHN|P||||^URO^^^^DR|||||||I

2070

The related acknowledgement message isn't shown.

#### 4.2.3.4 LAB-3 (OF->ORT): Message “Order Status Change”

The Order Result Tracker is informed that a new order is being performed:

2075

MSH|^~\&|OF|Cytology|ORT||200310060825||OUL^R22^OUL\_R22|122|T|2.5|||||USA||EN

PID|1||6543210^^^Abbeville Hospital^PI||ILL^JOHN^^^^L||19810101|M

PV1|1|I|||||||9998888

SPM|1|456\_1^Cytology|BLD|||||P|||||200310060735|200310060821||Y|||||1

2080

OBR|1|9876543^Urology|456^Cytology|85027^Hemogram and platelet count, automated^C4|

||||^COLLECT^JOHN|P||||^URO^^^^DR|||||||I

ORC|SC|9876543^Urology||555^Urology|IP|||||200310060710|^NURSE^JANET|||||||

Urology^^^^^FI^^^UR01

TQ1|1|||||||R

OBR|2|9876544^Urology|457^Cytology|85009^Differential WBC Count, buffy coat^C4|

||||^COLLECT^JOHN|P||||^URO^^^^DR|||||||I

2085

ORC|SC|9876544^Urology||555^Urology|IP|||||200310060710|^NURSE^JANET|||||||

Urology^^^^^FI^^^UR01

TQ1|1|||||||R

2090 Acknowledgement sent by the Order Results Tracker:

MSH|^~\&|ORT||OF|Cytology|200310060826||ACK^R22^ACK|401|T|2.5|||||USA||EN

MSA|AA|122

HL7 and HEALTH LEVEL SEVEN are the registered trademarks of Health Level Seven International.

2095 **4.2.3.5 LAB-21 (AM→ Analyzer): New AWOS**

```
MSH|^~\&|AM|Cytology|LD|Cytology|200506121348||OML^O33^OML_O33|001|T|2.5|||USA|EN
PID|1||6543210^^^Abbeville Hospital^PI||ILL^JOHN^^^^^L||19810101|M
PV1|1|I|||||||9998888
SPM|1|456_1||BLD|||||P|||||200506121330|||||1
2100 ORC|NW|9876543^Urology|||||200506121315|66622^NURSE^JANET|||||Urology
TQ1|||||R
OBR|9876543||85027^Hemogram and platelet count, automated^C4|||||14788^URO
ORC|NW|9876544^Urology|||||200506121315|66622^NURSE^JANET|||||Urology
TQ1|||||R
2105 OBR|9876544||85009^Differential WBC count, buffy coat^C4|||||14788^URO
```

Acknowledgement sent by the Analyzer:

```
MSH|^~\&|LD|Cytology|AM|Cytology|200506121349||ORL^O34^ORL_O34|101|T|2.5|||USA|EN
MSA|AA|001
2110 PID|1||6543210^^^Abbeville Hospital^PI||ILL^JOHN^^^^^L||19810101|M
PV1|1|I||||||9998888
SPM|1|456_1||BLD
ORC|OK|9876543^Urology|||||200506121349
OBR|9876543||85027^Hemogram and platelet count, automated^C4
ORC|OK|9876544^Urology|||||200506121349
2115 OBR|9876544||85009^Differential WBC count, buffy coat^C4
```

**4.2.3.6 LAB-23 (Analyzer → AM): Specimen for AWOS Arrived**

```
MSH|^~\&|LD|Cytology|AM|Cytology|200506121400||OUL^R22^OUL_R22|102|T|2.5|||USA|EN
2120 PID|1||6543210^^^Abbeville Hospital^PI||ILL^JOHN^^^^^L||19810101|M
PV1|1|I||||||9998888
SPM|1|456_1||BLD
OBR|9876543||85027^Hemogram and platelet count, automated^C4|||||I
ORC|SC|9876543^Urology|||||200506121400
OBR|9876544||85009^Differential WBC count, buffy coat^C4|||||I
```

2125 Acknowledgement not shown.

**4.2.3.7 LAB-23 (Analyzer → AM): Tests Performed**

```
MSH|^~\&|LD|Cytology|AM|Cytology|200506121410||OUL^R22^OUL_R22|102|T|2.5|||USA|EN
2130 PID|1||6543210^^^Abbeville Hospital^PI||ILL^JOHN^^^^^L||19810101|M
PV1|1|I||||||9998888
SPM|1|456_1||BLD
OBR|9876543||85027^Hemogram and platelet count, automated^C4|||||R
ORC|SC|9876543^Urology|||||200506121410
2135 OBX|1|NM|11156-7^LEUKOCYTES^LN||8.2|10*3/mm3||||R||200506121410
OBX|2|NM|11273-0^ERYTHROCYTES^LN||4.08|10*3/mm3||||R||200506121410
OBX|3|NM|20509-6^HEMOGLOBIN^LN||13.4|10*3/mm3||||R||200506121410
OBX|4|NM|20570-8^HEMATOCRIT^LN||39.7|10*3/mm3||||R||200506121410
OBX|5|NM|30428-7^MVC^LN||97|10*3/mm3||||R||200506121410
OBX|6|NM|28539-5^MCH^LN||33.0|10*3/mm3||||R||200506121410
2140 OBX|7|NM|28540-3^MCHC^LN||33.8|10*3/mm3||||R||200506121410
OBX|8|NM|11125-2^PLATELETS^LN||220|10*3/mm3||||R||200506121410
OBR|9876544||85009^Differential WBC count, buffy coat^C4|||||R
ORC|SC|9876544^Urology|||||200506121410
```

**HL7 and HEALTH LEVEL SEVEN are the registered trademarks of Health Level Seven International.**

```

2145 OBX|1|NM|23761-0^NEUTROPHILS/100 LEUKOCYTES^LN||72%|||F|||200506121410
OBX|2|NM|26450-7^EOSINOPHILS/100 LEUKOCYTES ^LN||2%|||F|||200506121410
OBX|3|NM|26478-8^LYMPHOCYTES/100 LEUKOCYTES ^LN||20%|||F|||200506121410
OBX|4|NM|26485-3^MONOCYTES/100 LEUKOCYTES ^LN||6%|||F|||200506121410
OBX|5|NM|30180-4^BASOPHILS/100 LEUKOCYTES ^LN||0%|||F|||200506121410
    
```

2150 **4.2.3.8 LAB-5 (AM->OF): Message “New Results”**

The Automation Manager sends the final results for the work order:

```

MSH|^~\&|AM|Automation|OF|Urology|200310060900||OUL^R22^OUL_R22|308|T|2.5|||USA|EN
PID|1||6543210^^^Abbeville Hospital^PI||ILL^JOHN^^^^^L||19810101|M
PVL|1|I|||||9998888
2155 SPM|1|456_1^Cytology|BLD||||P||||200310060735|200310060821|Y||||1
OBR|1|456^Cytology||85027^Hemogram and platelet count, automated^C4|
||||^COLLECT^JOHN|P||||^URO^^^^DR|
||||200310060832||F||||&TECHOS&MARC^200310060833
2160 ORC|SC|||CM|||200310060710|^NURSE^JANET|||||Urology^^^^^FI^^^UR01
OBX|1|NM|11156-7^LEUKOCYTES^LN||8.2|10*3/mm3|4-10|N||F|||200310060830
OBX|2|NM|11273-0^ERYTHROCYTES^LN||4.08|10*6/mm3|10-12|N||F|||200310060830
OBX|3|NM|20509-6^HEMOGLOBIN^LN||13.4|g/dL|11.5-14.5|N||F|||200310060830
OBX|4|NM|20570-8^HEMATOCRIT^LN||39.7|%|37-47|N||F|||200310060830
2165 OBX|5|NM|30428-7^MCV^LN||97|fL|80-95|N||F|||200310060830
OBX|6|NM|28539-5^MCH^LN||33.0|pg|27-32|N||F|||200310060830
OBX|7|NM|28540-3^MCHC^LN||33.8|%|30-36|N||F|||200310060830
OBX|8|NM|11125-2^PLATELETS^LN||220|10*9/L|150-400|N||F|||200310060830
OBR|2|457^Cytology||85009^Differential WBC Count, buffy coat^C4|
||||^COLLECT^JOHN|P||||^URO^^^^DR|
2170 ||||200310060832||F||||&TECHOS&MARC^200310060833
ORC|SC|||CM|||200310060710|^NURSE^JANET|||||Urology^^^^^FI^^^UR01
OBX|1|NM|23761-0^NEUTROPHILS/100 LEUKOCYTES^LN||72%|N||F|||200310060830
OBX|2|NM|26450-7^EOSINOPHILS/100 LEUKOCYTES^LN||2%|N||F|||200310060830
2175 OBX|3|NM|26478-8^LYMPHOCYTES/100 LEUKOCYTES^LN||20%|N||F|||200310060830
OBX|4|NM|26485-3^MONOCYTES/100 LEUKOCYTES^LN||6%|N||F|||200310060830
OBX|5|NM|30180-4^BASOPHILS/100 LEUKOCYTES^LN||0%|N||F|||200310060830
    
```

The related acknowledgement message isn't shown.

2180 **4.2.3.9 LAB-1 (OF->OP): Message “Status Changed”**

The clinical expert has performed the clinical validation at 09h29. The order is completed:

```

MSH|^~\&|OF|Urology|OP|Urology|200310060930||OML^O33^OML_O33|181|T|2.5|||USA|EN
PID|1||6543210^^^Abbeville Hospital^PI||ILL^JOHN^^^^^L||19810101|M
PVL|1|I|||||9998888
2185 SPM|1|456_1^Cytology|BLD||||P||||200310060735|200310060821|Y||||1
ORC|SC|9876543^Urology||555^Urology|CM|||200310060710|^NURSE^JANET|||||
Urology^^^^^FI^^^UR01
TQ1|1|||||R
2190 OBR|1|9876543^Urology|456^Cytology||85027^Hemogram and platelet count, automated^C4|
||||^COLLECT^JOHN|P||||^URO^^^^DR|||||F|||||&CYTO&JANE^200310060929
ORC|SC|9876544^Urology||555^Urology|CM|||200310060710|^NURSE^JANET|||||
Urology^^^^^FI^^^UR01
    
```

HL7 and HEALTH LEVEL SEVEN are the registered trademarks of Health Level Seven International.

```

2195 TQ1 |1| ||||| |R
OBR |1| 9876544^Urology|457^Cytology|85009^Differential WBC Count, buffy coat^C4|
||| |^COLLECT^JOHN|P| ||| |^URO^^^DR| ||||| |F| ||||| |&CYTO&JANE^200310060929

```

The related acknowledgement message isn't shown.

#### 4.2.3.10 LAB-3 (OF->ORT): Message "Status Changed"

2200 The clinical expert has performed the clinical validation at 09h29. The order is completed. The results are final:

```

MSH |^~\&|OF|Cytology|ORT| |200310060931| |OUL^R22^OUL_R22|182|T|2.5| ||| |USA| |EN
PID |1| |6543210^^^Abbeville Hospital^PI| |ILL^JOHN^^^L| |19810101|M
PV1 |1| I| ||||| ||||| |9998888
2205 SPM |1| 456_1^Cytology| BLD| ||||| |P| ||||| |200310060735|200310060821| |Y| ||||| |1
OBR |1| 9876543^Urology|456^Cytology|85027^Hemogram and platelet count, automated^C4|
||| |^COLLECT^JOHN|P| ||| |^URO^^^DR|
||| |200310060929| |F| ||||| |&CYTO&JANE^200310060929
2210 ORC |SC| 9876543^Urology| |555^Urology| CM| ||| |200310060710|^NURSE^JANET| ||||| |||
Urology^^^^^FI^^^UR01
TQ1 |1| ||||| |R
OBX |1| NM|11156-7^LEUKOCYTES^LN| |8.2|10*3/mm3|4-10|N| |F| | |200310060830
OBX |2| NM|11273-0^ERYTHROCYTES^LN| |4.08|10*6/mm3|10-12|N| |F| | |200310060830
2215 OBX |3| NM|20509-6^HEMOGLOBIN^LN| |13.4|g/dL|11.5-14.5|N| |F| | |200310060830
OBX |4| NM|20570-8^HEMATOCRIT^LN| |39.7|%|37-47|N| |F| | |200310060830
OBX |5| NM|30428-7^MCV^LN| |97|fL|80-95|N| |F| | |200310060830
OBX |6| NM|28539-5^MCH^LN| |33.0|pg|27-32|N| |F| | |200310060830
OBX |7| NM|28540-3^MCHC^LN| |33.8|%|30-36|N| |F| | |200310060830
OBX |8| NM|11125-2^PLATELETS^LN| |220|10*9/L|150-400|N| |F| | |200310060830
2220 OBR |2| 9876544^Urology|457^Cytology|85009^Differential WBC Count, buffy coat^C4|
||| |^COLLECT^JOHN|P| ||| |^URO^^^DR|
||| |200310060929| |F| ||||| |&CYTO&JANE^200310060929
ORC |SC| 9876544^Urology| |555^Urology| CM| ||| |200310060710|^NURSE^JANET| ||||| |||
Urology^^^^^FI^^^UR01
2225 TQ1 |1| ||||| |R
OBX |1| NM|23761-0^NEUTROPHILS/100 LEUKOCYTES^LN| |72|%|N| |F| | |200310060830
OBX |2| NM|26450-7^EOSINOPHILS/100 LEUKOCYTES^LN| |2|%|N| |F| | |200310060830
OBX |3| NM|26478-8^LYMPHOCYTES/100 LEUKOCYTES^LN| |20|%|N| |F| | |200310060830
2230 OBX |4| NM|26485-3^MONOCYTES/100 LEUKOCYTES^LN| |6|%|N| |F| | |200310060830
OBX |5| NM|30180-4^BASOPHILS/100 LEUKOCYTES^LN| |0|%|N| |F| | |200310060830

```

The related acknowledgement message isn't shown.

**HL7 and HEALTH LEVEL SEVEN** are the registered trademarks of Health Level Seven International.

### 4.3 Test on a Series of Specimens: Glucose Tolerance Study

#### 2235 4.3.1 Storyboard

This use case is in the context given by the first general use case presented in Volume 1 “3.1.1: Externally placed order with identified specimens”. The ordering care unit thus identifies the specimens.

2240 Dr. Physician orders one battery and provides a series of specimen collected at different times. The battery consists of one single test: glucose concentration on blood serum, repeated on a number of specimens, to be performed by the chemistry laboratory. The order is assumed to be part of a group of placer orders identified by the placer group number ‘666’.

2245 Glucose tolerance is ordered as a single battery requesting for glucose test on an unspecified number of blood serum drawn at different intervals, after initial glucose ingestion”. The SPM segments in the order message indicate the number of specimens, which can vary. The result consists of all the observation performed on each related individual specimen. All specimens produce results, except one unfortunately broken.

Human actors and organizations participating to the process:

Assigning authority: Memphis Hosp.

2250 Placer: Entero-gastric department

Filler: Chemistry laboratory

Ordering facility: Entero-gastric

Patient: Adam Everyman Jr., account number: 12345 (check-digit 5 modulo 10), class = outpatient.

2255 Orderer: Dr. Physician, phone number 821, ID number in the hospital 222222

Placer order enterer: Nancy Nurse, ID number 222221

Specimen collector: M. Bleeder, ID number 1234

Technician: Suzy Technician, ID number 333333

Clinical expert: Jane Chemistry-Expert, ID number 444444

2260 ID numbers used by the workflow:

ID number	Value	Assigned by
Patient ID	12345	Admission office (ADT)
Care unit order	12345678	Entero-gastric department (OP)
Care unit order group	666	Entero-gastric department (OP)
1 <sup>st</sup> specimen	123456781	Entero-gastric department (OP)
2 <sup>nd</sup> specimen	123456782	Entero-gastric department (OP)

**HL7 and HEALTH LEVEL SEVEN are the registered trademarks of Health Level Seven International.**

ID number	Value	Assigned by
3 <sup>rd</sup> specimen	123456783	Entero-gastric department (OP)
4 <sup>th</sup> specimen	123456784	Entero-gastric department (OP)
5 <sup>th</sup> specimen	123456785	Entero-gastric department (OP)
Laboratory order	555	Chemistry laboratory (OF)
1 <sup>st</sup> work order	555_1	Chemistry laboratory (OF)
2 <sup>nd</sup> work order	555_2	Chemistry laboratory (OF)
3 <sup>rd</sup> work order	555_3	Chemistry laboratory (OF)
4 <sup>th</sup> work order	555_4	Chemistry laboratory (OF)

2265 **LAB-1 interaction:** The Care Unit collects the first three specimens related to an order for glucose tolerance, with the high priority ‘ASAP’, and sends these specimens to the chemistry laboratory. The Order Placer sends a message “new order” (NW) accompanying the first three specimens, to let the laboratory start the testing. OBR-11 “Specimen action code” is valued to “P” (pending specimen) indicating that some specimens for this order are still pending (i.e., not yet collected). The order placer provides an observation reporting the initial quantity of sugar absorbed by the patient.

2270 **LAB-4, LAB-1 and LAB-3 interactions:** The laboratory checks the specimens and schedules the work. The Order Filler sends the first work orders to the Automation Manager. The Order Filler notifies both Order Placer and Order Result Tracker of the scheduled work, notifying that the third specimen being broken, won’t produce any observation. SPM-20 (specimen availability) = ‘N’ and SPM-21 (specimen reject reason) = ‘RB’ (broken container). Since this is a timing series, the Order Placer won’t replace this specimen. There will simply be a missing point in the final observation graph.

2275

**LAB-5, LAB-1 and LAB-3 interactions:** After technical validation, the Automation Manager sends back the first two observations to the Order Filler. Given that the order priority is “ASAP”, the Order Filler notifies these partial results to the Order Result Tracker, and notifies the status change to the Order Placer, without waiting for the clinical validation.

2280 **LAB-1 interaction:** Later on, as the two last specimens are sent to the laboratory, the Order Placer sends an additional message for that order, with the order control “change order request” (XO). This message contains the complete list of specimens. OBR-11 “Specimen action code” is valued to “S”, indicating that the specimen collection is complete, and that the laboratory can achieve its work.

2285 **LAB-4, LAB-1 and LAB-3 interactions:** The laboratory checks the last specimens. The Order Filler sends the last work orders to the Automation Manager. The Order Filler notifies both Order Placer and Order Result Tracker with the progress of the order.

**LAB-5 interaction:** After technical validation, the Automation Manager sends the last results to the Order Filler.

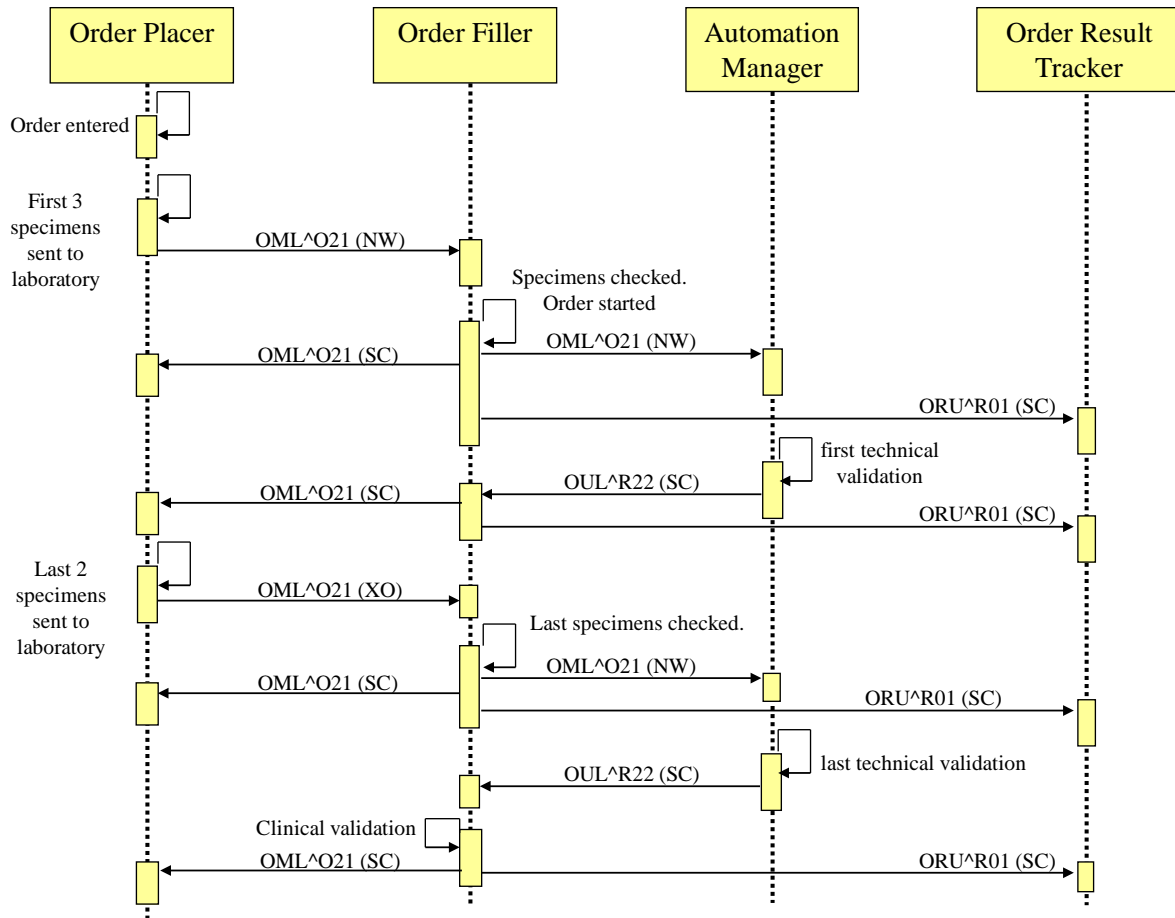
<b>HL7 and HEALTH LEVEL SEVEN are the registered trademarks of Health Level Seven International.</b>
--



2290 **LAB-1 and LAB-3 interactions:** After clinical validation, the Order Filler notifies the final results to the Order Result Tracker, and notifies the status change to the Order Placer.

**HL7 and HEALTH LEVEL SEVEN are the registered trademarks of Health Level Seven International.**

### 4.3.2 Interaction Diagram



### 4.3.3 Messages

#### 2295 4.3.3.1 LAB-1 (OP → OF): Message “New order” with the first 3 Specimens

A new placer order sent to the Order Filler: Priority “ASAP” for this placer order. One observation provided by the placer. Three first specimens collected. The other specimens are pending.

```

2300 MSH|^~\&|OP|Entero-gastric|OF|Chemistry|200309060820||OML^O21^OML_O21|
msgOP123|T|2.5|123| |||USA||EN
PID|1||12345^5^M10^Memphis_Hosp^PI||EVERYMAN^ADAM^JR^^L|19800101|M
PV1|1|O|Ward|||||||||||||12345
2305 ORC|NW|12345678^gastric||666^gastric|||||200309060710|222221^NURSE^NANCY|||||||Ent
ero-gastric^^^^^FI^^EG02
TQ1|||||||A
    
```

**HL7 and HEALTH LEVEL SEVEN are the registered trademarks of Health Level Seven International.**

2310 OBR | 12345678^gastric | 82951^Glucose Tolerance Test^C4 | 1234^BLEEDER |  
P | 222222^PHYSICIAN^^^DR | 821  
OBX | 1 | NM | GLUCOSE | 75 | g | F | 200309060735  
SPM | 1 | 123456781^gastric | SER | P | 200309060735 | 1  
SPM | 2 | 123456782^gastric | SER | P | 200309060755 | 1  
SPM | 3 | 123456783^gastric | SER | P | 200309060815 | 1

The related acknowledgement message isn't shown.

2315 **4.3.3.2 LAB-4 (OF → AM): Message “New order” with the first 2 Specimens**

Two new work orders sent to the Automation Manager: Priority ASAP. One observation provided.

2320 MSH | ^~\& | OF | Chemistry | AM | Automation | 200309060825 | OML^O21^OML\_O21 | msgOF101 | T | 2.5 | 123 | |  
| | USA | | EN  
PID | 1 | 12345^5^M10^Memphis\_Hosp^PI | EVERYMAN^ADAM^JR^^L | 19800101 | M  
PV1 | 1 | O | Ward | 12345  
ORC | NW | 666^gastric | 200309060824 | 222221^NURSE^NANCY |  
Entero-gastric^^^^^FI^^EG02  
TQ1 | | | | | A  
2325 OBR | 555\_1^chemistry | GLUC^GLUCOSE^L | 1234^BLEEDER | S | 222222^PHYSICIAN^^^DR | 82  
1  
SPM | 1 | 123456781^gastric | SER | P | 200309060735 | 200309060821 | 1  
ORC | NW | 666^gastric | 200309060710 | 222221^NURSE^NANCY |  
Entero-gastric^^^^^FI^^EG02  
TQ1 | | | | | A  
2330 OBR | 555\_2^chemistry | GLUC^GLUCOSE^L | 1234^BLEEDER | S |  
222222^PHYSICIAN^^^DR | 821  
SPM | 1 | 123456782^gastric | SER | P | 200309060755 | 200309060821 | 1

2335 The related acknowledgement message isn't shown.

**4.3.3.3 LAB-1 (OF → OP): Message “Status changed” with the first 3 Specimens**

The placer order has been assigned a filler order number. One specimen is rejected:

2340 MSH | ^~\& | OF | Chemistry | OP | Entero-gastric | 200309060825 | OML^O21^OML\_O21 | msgOF102 |  
T | 2.5 | 123 | | USA | | EN  
PID | 1 | 12345^5^M10^Memphis\_Hosp^PI | EVERYMAN^ADAM^JR^^L | 19800101 | M  
PV1 | 1 | O | Ward | 12345  
ORC | SC | 12345678^gastric | 666^gastric | IP | 200309060824 | 222221^NURSE^NANCY |  
Entero-gastric^^^^^FI^^EG02  
TQ1 | | | | | A  
2345 OBR | 12345678^gastric | 555^chemistry | 82951^Glucose Tolerance Test^C4 | 1234^BLEEDER | P | 222222^PHYSICIAN^^^DR | 821 | I  
SPM | 1 | 123456781^gastric | SER | P | 200309060735 | 200309060821 | Y | 1  
SPM | 2 | 123456782^gastric | SER | P | 200309060755 | 200309060821 | Y | 1  
SPM | 3 | 123456783^gastric | SER | P | 200309060815 | 200309060821 | N | RB | 1

2350 The related acknowledgement message isn't shown.

**HL7 and HEALTH LEVEL SEVEN are the registered trademarks of Health Level Seven International.**

### 4.3.3.4 LAB-3 (OF → ORT): Message first Specimens accepted for an order

The Order Result Tracker is informed that a new order is in process: The observation related to the 3rd specimen (unavailable) is canceled.

2355 MSH|^~\&|OF|Chemistry|ORT||200309060825||**ORU^R01^ORU\_R01**|msgOF103|T|2.5|123|||USA|EN  
 PID|1||12345^5^M10^Memphis\_Hosp^PI|EVERYMAN^ADAM^JR^^L|19800101|M  
 PV1|1|O|Ward|||||||12345  
 2360 ORC|SC|**12345678^gastric**|**666^gastric**|**IP**|||200309060824|22221^NURSE^NANCY  
 |||Enterogastric^^^^^FI^^EG02  
 OBR|**12345678^gastric**|**555^chemistry**|82951^Glucose Tolerance Test^C4||||  
 1234^BLEEDER|P||||22222^PHYSICIAN^^^DR|821|||||I  
 TQ1|||||A  
 2365 OBX|1|NM|GLUCOSE||75|g||||F||200309060735  
 OBX|2|NM|30264-6^GLUCOSE 40M POST DOSE GLUCOSE^LN|||||X  
 SPM|1|123456781^gastric||SER||||P||||200309060735|200309060821|Y||||1  
 SPM|2|123456782^gastric||SER||||P||||200309060755|200309060821|Y||||1  
 SPM|3|123456783^gastric||SER||||P||||200309060815|200309060821|N|RB||||1

The related acknowledgement message isn't shown.

2370

### 4.3.3.5 LAB-5 (AM → OF): Message “New results” for the first 2 Work Orders

The Automation Manager sends the two final results for the 2 work orders, technically validated by Suzy TECHNICIAN at 8h33:

2375 MSH|^~\&|AM|Automation|OF|Chemistry|200309060833||**OUL^R22^OUL\_R22**|msgAM1|T|2.5|123|||USA|EN  
 PID|1||12345^5^M10^Memphis\_Hosp^PI|EVERYMAN^ADAM^JR^^L|19800101|M  
 SPM|1|123456781^gastric||SER||||P||||200309060735|200309060821|Y||||1  
 2380 OBR|**555\_1^chemistry**|GLUC^GLUCOSE^L||||1234^BLEEDER  
 |S||||22222^PHYSICIAN^^^DR|821||||200309060832||F|||||  
**33333&TECHNICIAN&Suzy&&&&MEMPHIS HOSPITAL^200309060833**  
 OBX|1|NM|14749-6^GLUCOSE^LN||4200|umol/l|N||F||200309060830  
 SPM|2|123456782^gastric||SER||||P||||200309060755|200309060821|Y||||1  
 OBR|**555\_2^chemistry**|GLUC^GLUCOSE^L||||1234^BLEEDER  
 |S||||22222^PHYSICIAN^^^DR|821||||200309060832||F|||||  
 2385 **33333&TECHNICIAN&Suzy&&&&MEMPHIS HOSPITAL^200309060833**  
 OBX|1|NM|14749-6^GLUCOSE^LN||6000|umol/l|N||F||200309060832

The related acknowledgement message isn't shown.

### 4.3.3.6 LAB-1 (OF → OP): Message “Status Changed”

Some results are available, not clinically validated (i.e., not verified)

2390 MSH|^~\&|OF|Chemistry|OP|Enterogastric|200309060834||**OML^O21^OML\_O21**|msgOF104|T|2.5|123|||USA|EN  
 PID|1||12345^5^M10^Memphis\_Hosp^PI|EVERYMAN^ADAM^JR^^L|19800101|M  
 PV1|1|O|Ward|||||||12345  
 2395 ORC|SC|**12345678^gastric**|**666^gastric**|**A**|||200309060834|22221^NURSE^NANCY|  
 |||Enterogastric^^^^^FI^^EG02  
 TQ1|||||A  
 OBR|**12345678^gastric**|**555^chemistry**|82951^Glucose Tolerance  
 Test^C4||||1234^BLEEDER|P||||22222^PHYSICIAN^^^DR|821|||||R  
 2400 SPM|1|123456781^gastric||SER||||P||||200309060735|200309060821|Y||||1  
 SPM|2|123456782^gastric||SER||||P||||200309060755|200309060821|Y||||1

**HL7 and HEALTH LEVEL SEVEN are the registered trademarks of Health Level Seven International.**

SPM|3|123456783^gastric ||SER|||||P|||||200309060815|200309060821||N|RB|||||1

The related acknowledgement message isn't shown.

### 4.3.3.7 LAB-3 (OF → ORT): Message “Status Changed”

2405 The two first results are sent, not clinically validated (i.e., not verified):

MSH|^~\&|OF|Chemistry|ORT||200309060825||ORU^R01^ORU\_R01|msgOF105|T|2.5|123|||USA||EN  
 PID|1||12345^5^M10^Memphis\_Hosp^PI||EVERYMAN^ADAM^^JR^^L|19800101|M  
 PV1|1|O|Ward|||||||12345

2410 ORC|SC|12345678^gastric||666^gastric|A||||200309060834|222221^NURSE^NANCY|  
 |||||Entero-gastric^^^^^FI^^EG02

OBR||12345678^gastric|^chemistry|82951^Glucose Tolerance  
 Test^C4|||||1234^BLEEDER|P|||||22222^PHYSICIAN^^^DR|821||||||R  
 TQ1|||||||A

2415 OBX|1|NM|GLUCOSE||75|g||||F|||200309060735  
 OBX|2|NM|14996-3^GLUCOSE PRE 75 G GLUCOSE PO^LN||4200|umol/l|4000-6100|N||  
 R||200309060755

OBX|3|NM|30263-8^GLUCOSE 20M POST DOSE GLUCOSE^LN||6000|umol/l|<7800|N||  
 R||200309060755

2420 OBX|4|NM|30264-6^GLUCOSE 40M POST DOSE GLUCOSE^LN|||X  
 SPM|1|123456781^gastric ||SER|||||P|||||200309060735|200309060821||Y|||||1  
 SPM|2|123456782^gastric ||SER|||||P|||||200309060755|200309060821||Y|||||1  
 SPM|3|123456783^gastric ||SER|||||P|||||200309060815|200309060821||N|RB^Broken  
 container|||||1

The related acknowledgement message isn't shown.

2425

### 4.3.3.8 LAB-1(OP → OF): Message “Change Order/Service Request”

The last 2 specimens have been collected and are sent to the laboratory:

MSH|^~\&|OP|Entero-gastric|OF|Chemistry|200309060900||OML^O21^OML\_O21|msgOP124|  
 T|2.5|123|||USA||EN

2430 PID|1||12345^5^M10^Memphis\_Hosp^PI||EVERYMAN^ADAM^^JR^^L|19800101|M  
 PV1|1|O|Ward|||||||12345

ORC|XO|12345678^gastric||666^gastric||||200309060855|222221^NURSE^NANCY|  
 |||||Entero-gastric^^^^^FI^^EG02  
 TQ1|||||||A

2435 OBR||12345678^gastric||82951^Glucose Tolerance Test^C4|||||1234^BLEEDER|S||||  
 222222^PHYSICIAN^^^DR|821

OBX|1|NM|GLUCOSE||75|g||||F|||200309060735

2440 SPM|1|123456781^gastric ||SER|||||P|||||200309060735|||||||1

SPM|2|123456782^gastric ||SER|||||P|||||200309060755|||||||1

SPM|3|123456783^gastric ||SER|||||P|||||200309060815|||||||1

SPM|4|123456784^gastric ||SER|||||P|||||200309060835|||||||1

SPM|5|123456785^gastric ||SER|||||P|||||200309060855|||||||1

The related acknowledgement message isn't shown.

HL7 and HEALTH LEVEL SEVEN are the registered trademarks of Health Level Seven International.

2445 **4.3.3.9 LAB-4 (OF → AM): Message “New order” with the last 2 Specimens**

Two new work orders sent to the Automation Manager:

```

MSH|^~\&|OF|Chemistry|AM|Automation|200309060905||OML^O21^OML_O21|msgOF106|T|2.5|123|
|||USA||EN
PID|1||12345^5^M10^Memphis_Hosp^PI||EVERYMAN^ADAM^^JR^^L|19800101|M
2450 PV1|1|O|Ward|||||||||||12345
ORC|NW||666^gastric|||||200309060904|222221^NURSE^NANCY|||||||||
Entero-gastric^^^^^^FI^^EG02
TQ1|||||||A
OBR||555_4^chemistry||GLUC^GLUCOSE^L|||||1234^BLEEDER|
2455 S|||222222^PHYSICIAN^^^^DR|821
SPM|1|123456784^gastric||SER|||||P|||||200309060835|200309060902|||||||1
ORC|NW||666^gastric|||||200309060904|222221^NURSE^NANCY|||||||||
Entero-gastric^^^^^^FI^^EG02
TQ1|||||||A
2460 OBR||555_5^chemistry||GLUC^GLUCOSE^L|||||1234^BLEEDER|S|||||
222222^PHYSICIAN^^^^DR|821
SPM|1|123456785^gastric||SER|||||P|||||200309060855|200309060902|||||||1
    
```

The related acknowledgement message isn't shown.

2465 **4.3.3.10 LAB-1 (OF → OP): Message “Status changed” with all Specimens**

All the specimens have been checked by the laboratory staff.

```

MSH|^~\&|OF|Chemistry|OP|Entero-gastric|200309060905||OML^O21^OML_O21|msgOF107|
T|2.5|123| |||USA||EN
PID|1||12345^5^M10^Memphis_Hosp^PI||EVERYMAN^ADAM^^JR^^L|19800101|M
2470 PV1|1|O|Ward|||||||||||12345
ORC|SC|12345678^gastric||666^gastric|A|||||200309060904|222221^NURSE^NANCY|
|||||Entero-gastric^^^^^^FI^^EG02
TQ1|||||||A
OBR||12345678^gastric||555^chemistry||82951^Glucose Tolerance test^C4|||||
1234^BLEEDER|P|||||222222^PHYSICIAN^^^^DR|821||||||R
2475 SPM|1|123456781^gastric||SER|||||P|||||200309060735|200309060821|Y|||||1
SPM|2|123456782^gastric||SER|||||P|||||200309060755|200309060821|Y|||||1
SPM|3|123456783^gastric||SER|||||P|||||200309060815|200309060821|N|RB|||||1
SPM|4|123456784^gastric||SER|||||P|||||200309060835|200309060902|Y|||||1
SPM|5|123456785^gastric||SER|||||P|||||200309060855|200309060902|Y|||||1
    
```

2480 The related acknowledgement message isn't shown.

2485 **4.3.3.11 LAB-3 (OF → ORT): Message “Status Changed”**

The last two specimens have been received. All the work is scheduled:

```

MSH|^~\&|OF|Chemistry|ORT||200309060905||ORU^R01^ORU_R01|msgOF108|T|2.5|123| |||USA||EN
2485 PID|1||12345^5^M10^Memphis_Hosp^PI||EVERYMAN^ADAM^^JR^^L|19800101|M
PV1|1|O|Ward|||||||||||12345
ORC|SC|12345678^gastric||666^gastric|A|||||200309060904|222221^NURSE^NANCY|||||||||En
tero-gastric^^^^^^FI^^EG02
2490 OBR||12345678^gastric||555^chemistry||82951^Glucose Tolerance Test^C4|||||
1234^BLEEDER|S|||||222222^PHYSICIAN^^^^DR|821||||||R
TQ1|||||||A
OBX|1|NM|GLUCOSE||75|g|||||F|||||200309060735
    
```

**HL7 and HEALTH LEVEL SEVEN are the registered trademarks of Health Level Seven International.**

```

2495 OBX|2|NM|14996-3^GLUCOSE PRE 75 G GLUCOSE PO^LN||4200|umol/l|4000-6100|N|||
R|||200309060735
OBX|3|NM|30263-8^GLUCOSE 20M POST DOSE GLUCOSE^LN||6000|umol/l|<7800|N|||
R|||200309060755
OBX|4|NM|30264-6^GLUCOSE 40M POST DOSE GLUCOSE^LN|||X
SPM|1|123456781^gastric||SER|||||P|||||200309060735|200309060821|Y|||||1
SPM|2|123456782^gastric||SER|||||P|||||200309060755|200309060821|Y|||||1
2500 SPM|3|123456783^gastric||SER|||||P|||||200309060815|200309060821|N|RB^Broken
container|||||1
SPM|4|123456784^gastric||SER|||||P|||||200309060835|200309060902|Y|||||1
SPM|5|123456785^gastric||SER|||||P|||||200309060855|200309060902|Y|||||1
    
```

The related acknowledgement message isn't shown.

2505

#### 4.3.3.12 LAB-5 (AM →OF): “New results” for the last 2 Work Orders

The Automation Manager sends the two final results for the 2 work orders, technically validated by Suzy TECHNICIAN at 9h12.

```

2510 MSH|^~\&|AM|Automation|OF|Chemistry|200309060912||OUL^R22^OUL_R22|msgAM2|
T|2.5|123|||USA||EN
PID|1||12345^5^M10^Memphis_Hosp^PI||EVERYMAN^ADAM^JR^^L|19800101|M
SPM|1|123456784^gastric||SER|||||P|||||200309060835|200309060902|Y|||||1
OBR||555_4^chemistry||30266-1^GLUCOSE 1.6H POST DOSE GLUCOSE^LN|||1234^BLEEDER|
S||||22222^PHYSICIAN^^^DR|821|||200309060911||F|||||
2515 33333&TECHNICIAN&Suzy&&&&MEMPHIS_HOSPITAL^200309060912
OBX|1|NM|14749-6^GLUCOSE^LN||7200|umol/l||N|||F|||200309060910
SPM|2|123456785^gastric||SER|||||P|||||200309060855|200309060902|Y|||||1
OBR||555_5^chemistry||GLUC^GLUCOSE^L|||1234^BLEEDER|S|||||
22222^PHYSICIAN^^^DR|821|||200309060911||F|||||
2520 33333&TECHNICIAN&Suzy&&&&MEMPHIS_HOSPITAL^200309060912
OBX|1|NM|14749-6^GLUCOSE^LN||7100|umol/l||N|||F|||200309060911
    
```

The related acknowledgement message isn't shown.

#### 4.3.3.13 LAB-1 (OF → OP): Message “Status Changed”

2525 Jane CHEMISTRY-EXPERT has performed the clinical validation at 9h29. The order is completed.

```

MSH|^~\&|OF|Chemistry|OP|Entero-gastric|200309060930||OML^O21^OML_O21|msgOF109|
T|2.5|123|||USA||EN
2530 PID|1||12345^5^M10^Memphis_Hosp^PI||EVERYMAN^ADAM^JR^^L|19800101|M
PV1|1|O|Ward|||||12345
ORC|SC|12345678^gastric||666^gastric|CM|||200309060929|22221^NURSE^NANCY|||||E
ntero-gastric^^^FI^^EG02
TQ1|||||A
OBR||12345678^gastric||555^chemistry||82951^Glucose Tolerance Test^C4|||||
2535 1234^BLEEDER|S||||22222^PHYSICIAN^^^DR|821|||200309060929||F|||||
44444&CHEMISTRY-EXPERT&Jane&&&&MEMPHIS_HOSPITAL^200309060929
SPM|1|123456781^gastric||SER|||||P|||||200309060735|200309060821|Y|||||1
SPM|2|123456782^gastric||SER|||||P|||||200309060755|200309060821|Y|||||1
SPM|3|123456783^gastric||SER|||||P|||||200309060815|200309060821|N|RB|||||1
2540 SPM|4|123456784^gastric||SER|||||P|||||200309060835|200309060902|Y|||||1
    
```

HL7 and HEALTH LEVEL SEVEN are the registered trademarks of Health Level Seven International.

SPM|5|123456785^gastric ||SER|||||P|||||200309060855|200309060902||Y|||||1

The related acknowledgement message isn't shown.

2545 **4.3.3.14 LAB-3 (OF → ORT): Message “Status Changed”**

Jane CHEMISTRY-EXPERT has performed the clinical validation at 9h29. The order is completed. The results are final.

MSH|^~\&|OF|Chemistry|ORT||200309060930||**ORU^R01^ORU\_R01**|msgOF110|T|2.5|123|||USA|EN  
 2550 PID|1||12345^5^M10^Memphis\_Hosp^PI||EVERYMAN^ADAM^^JR^^L|19800101|M  
 PV1|1|O|Ward|||||||12345  
 ORC|**SC**|**12345678^gastric**||**666^gastric**|**CM**||||200309060929|222221^NURSE^NANCY|||||||E  
 ntero-gastric^^^^^FI^^EG02  
 OBR||**12345678^gastric**|**555^chemistry**|82951^Glucose Tolerance Test^C4|||||  
 1234^BLEEDER|S||||222222^PHYSICIAN^^^DR|821||||200309060929||**F**|||||  
 2555 **444444&CHEMISTRY-EXPERT&Jane&&&&MEMPHIS HOSPITAL^200309060929**  
 TQ1|||||A  
 OBX|1|NM|GLUCOSE||75|g||||F||200309060735  
 OBX|2|NM|14996-3^GLUCOSE PRE 75 G GLUCOSE PO^LN||4200|umol/l|4000-6100|N||  
**F**||200309060735  
 2560 OBX|3|NM|30263-8^GLUCOSE 20M POST DOSE GLUCOSE^LN||6000|umol/l|<7800|N||  
**F**||200309060755  
 OBX|4|NM|30264-6^GLUCOSE 40M POST DOSE GLUCOSE^LN|||||**X**  
 OBX|5|NM|14756-1^GLUCOSE 1H POST DOSE GLUCOSE^LN||7200|umol/l|<7800|N||  
**F**||200309060835  
 2565 OBX|6|NM|30265-3^GLUCOSE 1.3H POST DOSE GLUCOSE^LN||7100|umol/l|<7800|N||  
**F**||200309060855  
 SPM|1|123456781^gastric ||SER|||||P|||||200309060735|200309060821||Y|||||1  
 SPM|2|123456782^gastric ||SER|||||P|||||200309060755|200309060821||Y|||||1  
 2570 SPM|3|123456783^gastric ||SER|||||P|||||200309060815|200309060821||**N**|**RB^Broken**  
**container**||||1  
 SPM|4|123456784^gastric ||SER|||||P|||||200309060835|200309060902||Y|||||1  
 SPM|5|123456785^gastric ||SER|||||P|||||200309060855|200309060902||Y|||||1

The related acknowledgement message isn't shown.

2575

**HL7 and HEALTH LEVEL SEVEN are the registered trademarks of Health Level Seven International.**



## 4.4 Battery with 2 Specimens: Creatinine clearance

### 4.4.1 Storyboard

2580 This example corresponds to the use case described in Volume 1 as “Externally placed order with specimens unidentified or to be collected by the laboratory”. The specimens are not identified by the ordering care unit.

Dr. Nephro orders one battery of one test: a creatinine clearance.

2585 The battery consists of a procedure applied on two specimen type, serum and 24 hour urine. At the end of the 24 hour urine collection process, the specimen collector measures the collected urine volume, records the duration of collection, takes a urine sample from the 24 hours collection and draws a serum sample from the patient.

The order is assumed to be part of a group of placer orders identified by the placer group number ‘777’.

Human actors and organizations participating to the process:

2590 Assigning authority: Abbeville Hospital

Placer: Nephrology department

Filler: Chemistry laboratory

Ordering facility: Nephrology

2595 Patient: John Ill, Patient hospital identifier: 6543210, Patient visit number: 999888, class = inpatient

Orderer: Dr. Nephro

Placer order enterer: Janet Nurse

Specimen collector: John Collect

Technician: Marc Techos

2600 Clinical expert: Jane Chemistry

ID numbers used by the workflow:

ID number	Value	Assigned by
Patient hospital ID	6543210	Admission office (ADT)
Patient visit number	9998888	Admission office (ADT)
Care unit order group	777	Nephrology department (OP)
Care unit order	9876543	Nephrology department (OP)
Laboratory order (1 <sup>st</sup> battery) idem for work order	654	Chemistry laboratory (OF)
Specimen Serum	654_1	Chemistry laboratory (OF)

<b>HL7 and HEALTH LEVEL SEVEN are the registered trademarks of Health Level Seven International.</b>
--

---

ID number	Value	Assigned by
Specimen Urine	654_2	Chemistry laboratory (OF)

2605 **LAB-1 interaction:** The Care Unit processes the specimen collection related to an order for a creatinine clearance, and sends the notified or measured values and the specimens to the chemistry laboratory. The Order Placer sends a message “new order” (NW) accompanying the specimen, to let the laboratory start the testing.

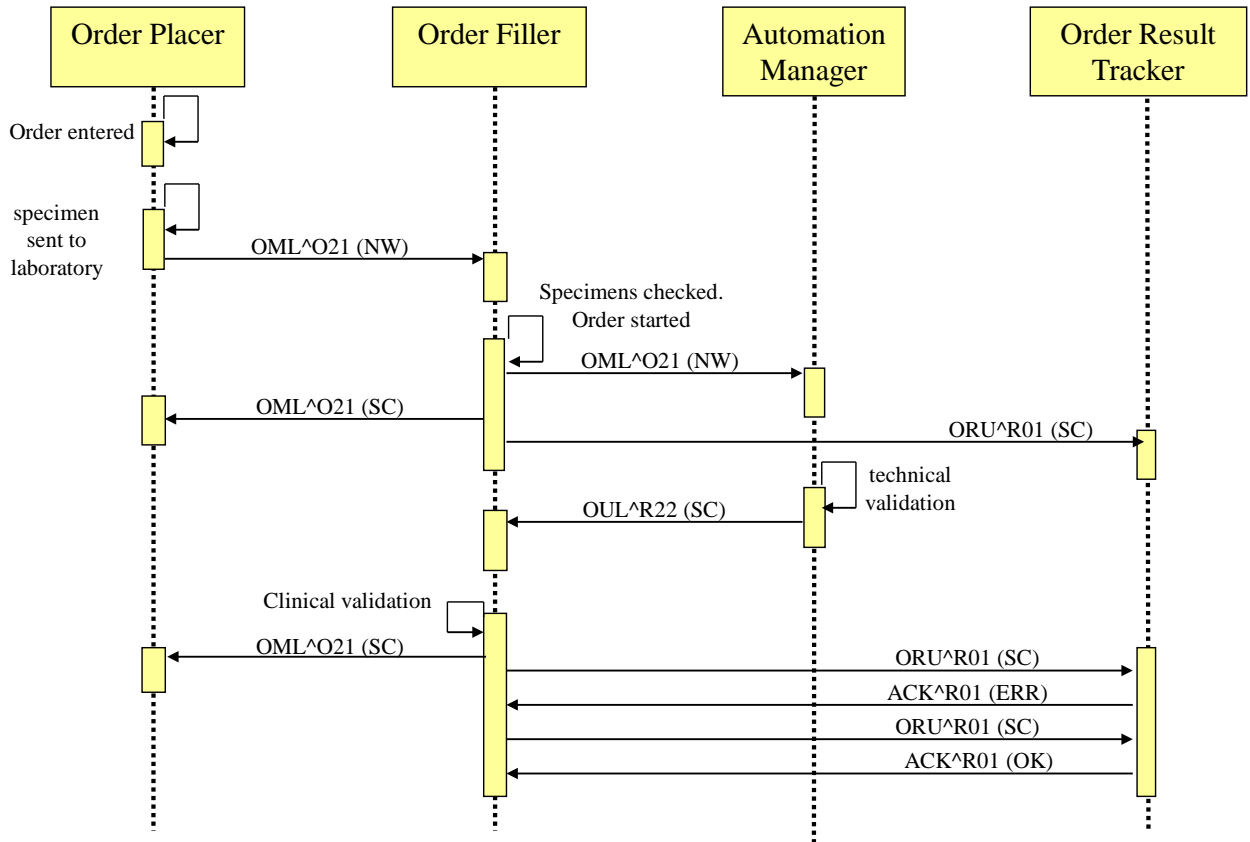
2610 **LAB-4, LAB-1 and LAB-3 interactions:** The laboratory checks the specimens and schedules the work. An identifier is assigned to the specimens by the Order Filler and the corresponding identification labels are printed out. The Order Filler sends a unique work order to the Automation Manager. The Order Filler notifies both Order Placer and Order Result Tracker of the scheduled work.

**LAB-5, LAB-1 and LAB-3 interactions:** After technical validation by a laboratory technician (Marc Techos), the Automation Manager sends back all the observations to the Order Filler.

2615 **LAB-1 and LAB-3 interactions:** After clinical validation, the Order Filler notifies the results to the Order Result Tracker, and notifies the status change to the Order Placer. The last interaction in transaction LAB-3 shows a negative acknowledgement and a repetition of the message followed by the final positive acknowledgement.

**HL7 and HEALTH LEVEL SEVEN are the registered trademarks of Health Level Seven International.**

### 4.4.2 Interaction Diagram



2620

**HL7 and HEALTH LEVEL SEVEN are the registered trademarks of Health Level Seven International.**

### 4.4.3 Messages

#### 4.4.3.1 LAB-1 (OP → OF): Message “New order” with one Specimen

A new placer order sent to the Order Filler:

```

2625 MSH|^~\&|OP|Nephrology|OF|Chemistry|200310060820||OML^O21^OML_O21|001|T|2.5|||USA||E
N
PID|1||6543210^^^Abbeville Hospital^PI||ILL^JOHN^^^^^L||19810101|M
PV1|1|I||||||||||||||9998888
ORC|NW|9876543^Nephro|777^Nephro|||200310060710|^NURSE^JANET|||Nephrology^^^^^FI^^NE03
2630 TQ1|1|||||R
OBR|1|9876543^Nephro|82575^Creatinine clearance^C4|||^COLLECT^JOHN|S|||^NEPHRO^^^^DR
OBX|1|NM|13362-9^URINE COLLECTION DURATION^LN||24|hr|||F||200309060735
OBX|2|NM|19153-6^URINE SPECIMEN VOLUME^LN||2500|ml|||F||200309060735
2635 SPM|1||SER|||||P|||200310060735|||1
SPM|2||UR|||||P|||200310060735|||1
ORC|NW||777^Nephro|||200310060710|^NURSE^JANET|||Nephrology^^^^^FI^^NE03
OBR|2|98765432^Nephro||11502-2^LABORATORY REPORT.TOTAL^LN|

```

The related acknowledgement message isn't shown.

#### 2640 4.4.3.2 LAB-4 (OF → AM): Message “New order”

A new work order is sent to the Automation Manager:

```

2645 MSH|^~\&|OF|Chemistry|AM|Automation|200310060825||OML^O21^OML_O21|011|T|2.5|||USA||E
N
PID|1||6543210^^^Abbeville Hospital^PI||ILL^JOHN^^^^^L||19810101|M
PV1|1|I||||||||||||||9998888
ORC|NW||777^Nephro|||200310060710|^NURSE^JANET|||Nephrology^^^^^FI^^NE03
2650 TQ1|1|||||R
OBR|1|654^chemistry|82575^Creatinine clearance^C4|||^COLLECT^JOHN|S|||^NEPHRO^^^^DR
OBX|1|NM|13362-9^URINE COLLECTION DURATION^LN||24|hr|||F||200309060735
OBX|2|NM|19153-6^URINE SPECIMEN VOLUME^LN||2500|ml|||F||200309060735
SPM|1|654_1^chemistry|SER|||||P|||200310060735|200310060821|||1
SPM|2|654_2^chemistry|UR|||||P|||200310060735|200310060821|||1

```

2655 The related acknowledgement message isn't shown.

#### 4.4.3.3 LAB-1 (OF → OP): Message “Status Changed”

The placer order has been assigned a filler order number, the specimen is available and identified by the laboratory:

```

2660 MSH|^~\&|OF|Chemistry|OP|Nephrology|200310060825||OML^O21^OML_O21|012|T|2.5|||USA||E
N
PID|1||6543210^^^Abbeville Hospital^PI||ILL^JOHN^^^^^L||19810101|M
PV1|1|I||||||||||||||9998888
ORC|SC|9876543^Nephro|777^Nephro|IP|||200310060710|^NURSE^JANET|||Nephrology^^^^^FI^^NE03
2665 TQ1|1|||||R
OBR|1|9876543^Nephro|654^chemistry|82575^Creatinine clearance^C4|

```

**HL7 and HEALTH LEVEL SEVEN are the registered trademarks of Health Level Seven International.**

```
|||||^COLLECT^JOHN|P| |||^NEPHRO^^^DR| |||||I  
SPM|1|654_1^chemistry|SER| |||||P| |||||200310060735|200310060821|Y| |||||1  
SPM|2|654_2^chemistry|UR| |||||P| |||||200310060735|200310060821|Y| |||||1
```

2670 The related acknowledgement message isn't shown.

**HL7 and HEALTH LEVEL SEVEN are the registered trademarks of Health Level Seven International.**

#### 4.4.3.4 LAB-3 (OF->ORT): Message “Order Status Change”

The Order Result Tracker is informed that a new order is being processed:

```

2675 MSH|^~\&|OF|Chemistry|ORT||200310060825||ORU^R01^ORU_R01|013|T|2.5|||USA|EN
PID|1||6543210^^^Abbeville Hospital^PI||ILL^JOHN^^^^^L||19810101|M
PV1|1|I|||||||9998888
ORC|SC|9876543^Nephro|777^Nephro|IP|||200310060710|^NURSE^JANET|||Nephrology^^^^^FI^^^NE03
OBR|1|9876543^Nephro|654^chemistry|82575^Creatinine clearance^C4|
2680 |||^COLLECT^JOHN|P|||^NEPHRO^^^^DR|||I
TQ1|1|||||R
SPM|1|654_1^chemistry|SER|||||P|||200310060735|200310060821|Y|||1
SPM|2|654_2^chemistry|UR|||||P|||200310060735|200310060821|Y|||1
OBX|1|NM|13362-9^URINE COLLECTION DURATION^LN||24|hr|||F||200309060735
OBX|2|NM|19153-6^URINE SPECIMEN VOLUME^LN||2500|ml|||F||200309060735
    
```

2685 The related acknowledgement message isn't shown.

#### 4.4.3.5 LAB-5 (AM->OF): Message “New Results”

The Automation Manager sends the final results for the work order:

```

2690 MSH|^~\&|AM|Automation|OF|Nephrology|200310060900||OUL^R22^OUL_R22|3331|T|2.5|||USA|EN
PID|1||6543210^^^Abbeville Hospital^PI||ILL^JOHN^^^^^L||19810101|M
PV1|1|I||||||9998888
SPM|1|654_1^chemistry|SER|||||P|||200310060735|200310060821|Y|||1
OBR|1|654^chemistry|82575^Creatinine clearance^C4|||^COLLECT^JOHN|
2695 P|||^NEPHRO^^^^DR|||200310060832||F|||&TECHOS&MARC^200310060833
OBX|1|NM|15045-8^SERUM CREATININE^LN||93|umol/l|50-100|N||F||200310060830
SPM|2|654_2^chemistry|UR|||||P|||200310060735|200310060821|Y|||1
OBR|1|654^chemistry|82575^Creatinine clearance^C4|||^COLLECT^JOHN|
P|||^NEPHRO^^^^DR|||200310060832||F|||&TECHOS&MARC^200310060833
2700 OBX|1|NM|14684-5^24H URINE CREATININE ^LN||7.06|mmol|8-16 (/24hr)|L||F||200310060830
OBX|2|NM|2164-2^CREATININE CLEARANCE^LN||52.7|ml/min|88-174|L||S|F||200310060830
    
```

The related acknowledgement message isn't shown.

#### 4.4.3.6 LAB-1 (OF->OP): Message “Status Changed”

The clinical expert has performed the clinical validation at 09h29. The order is completed:

```

2705 MSH|^~\&|OF|Nephrology|OP|Nephrology|200310060930||OML^O21^OML_O21|014|T|2.5|||USA|EN
PID|1||6543210^^^Abbeville Hospital^PI||ILL^JOHN^^^^^L||19810101|M
PV1|1|I||||||9998888
ORC|SC|9876543^Nephro|777^Nephro|CM|||200310060710|^NURSE^JANET|||Nephrology^^^^^FI^^^NE03
2710 TQ1|1|||||R
OBR|1|9876543^Nephro|654^chemistry|82575^Creatinine clearance^C4|
|||^COLLECT^JOHN|P|||^NEPHRO^^^^DR|||F|||&CYTO&JANE^200310060929
2715 SPM|1|654_1^chemistry|SER|||||P|||200310060735|200310060821|Y|||1
SPM|2|654_2^chemistry|UR|||||P|||200310060735|200310060821|Y|||1
    
```

The related acknowledgement message isn't shown.

**HL7 and HEALTH LEVEL SEVEN** are the registered trademarks of Health Level Seven International.

## 4.4.3.7 LAB-3 (OF-&gt;ORT): Message “Status Changed”

The clinical expert has performed the clinical validation at 09h29. The order is completed. The results are final:

```

2720 MSH|^~\&|OF|Chemistry|ORT||200310060931||ORU^R01^ORU_R01|015|T|2.5|||USA|EN
PID|1||6543210^^Abbeville Hospital^PI||ILL^JOHN^^^^L||19810101|M
PV1|1|I|||||9998888
ORC|SC|9876543^Nephro|777^Nephro|CM|||200310060710|^NURSE^JANET|||
Nephrology^^^^^FI^^NE03
2725 OBR|1|9876543^Nephro|654^chemistry|82575^Creatinine clearance^C4|||^COLLECT^JOHN
|P|||^NEPHRO^^^^DR|||200310060929||F|||&CYTO&JANE^200310060929
TQ1|1|||R
OBX|1|NM|2164-2^CREATININE CLEARANCE^LN||52.7|ml/min|88-174|L|S|F|||200310060735
2730 OBX|2|NM|15045-8^SERUM CREATININE^LN||93|umol/l|50-100|N||F|||200310060735
OBX|3|NM|14684-5^24H URINE CREATININE^LN||7.06|mmol|8-16 (/24hr)|L||F|||200310060830
SPM|1|654_1^chemistry|SER|||P|||200310060735|200310060821|Y|||1
SPM|2|654_2^chemistry|UR|||P|||200310060735|200310060821|Y|||1
OBX|1|NM|13362-9^URINE COLLECTION DURATION^LN||24|hr|||F|||200309060735
2735 OBX|2|NM|19153-6^URINE SPECIMEN VOLUME^LN||2400|ml|||F|||200309060735
ORC|SC||777^Nephro|||200805191100
OBR|2|98765432^Nephro|6542^chemistry|11502-2^LABORATORY
REPORT.TOTAL^LN|||F
OBX|1|RP|11502-2^LABORATORY REPORT.TOTAL^LN||file://hserv/lr/lr12345678.pdf|||F|P

```

Negative acknowledgement sent by the Order Results Tracker:

2740 The ERR-4 = ‘E’ indicates that the message could not be integrated. The ERR-3 HL7 error code = 206 informs of the cause: a database locked. The MSA-1 = ‘AR’ says that the incoming message has been application-rejected. In this particular case, the rejection is not related to a value not acceptable in the MSH segment, therefore the sender should repeat its message later.

```

2745 MSH|^~\&|ORT||OF|Cytology|200310060932||ACK^R01^ACK|401|T|2.5|||USA|EN
MSA|AR|015
ERR|||206^Application record locked|E

```

Repetition of the same result message by the Order Filler, one minute later

```

2750 MSH|^~\&|OF|Chemistry|ORT||200310060931||ORU^R01^ORU_R01|015|T|2.5|||USA|EN
PID|1||6543210^^Abbeville Hospital^PI||ILL^JOHN^^^^L||19810101|M
PV1|1|I|||||9998888
ORC|SC|9876543^Nephro|777^Nephro|CM|||200310060710|^NURSE^JANET|||
Nephrology^^^^^FI^^NE03
2755 OBR|1|9876543^Nephro|654^chemistry|82575^Creatinine clearance^C4|||^COLLECT^JOHN
|P|||^NEPHRO^^^^DR|||200310060929||F|||&CYTO&JANE^200310060929
TQ1|1|||R
OBX|1|NM|2164-2^CREATININE CLEARANCE^LN||52.7|ml/min|88-174|L|S|F|||200310060735
SPM|1|654_1^chemistry|SER|||P|||200310060735|200310060821|Y|||1
OBX|1|NM|15045-8^SERUM CREATININE^LN||93|umol/l|50-100|N||F|||200310060735
2760 SPM|2|654_2^chemistry|UR|||P|||200310060735|200310060821|Y|||1
OBX|1|NM|13362-9^URINE COLLECTION DURATION^LN||24|hr|||F|||200309060735
OBX|2|NM|19153-6^URINE SPECIMEN VOLUME^LN||2400|ml|||F|||200309060735
OBX|3|NM|14684-5^24H URINE CREATININE^LN||7.06|mmol|8-16 (/24hr)|L||F|||200310060830
ORC|SC||777^Nephro|||200805191100
OBR|2|98765432^Nephro|6542^chemistry|11502-2^LABORATORY
REPORT.TOTAL^LN|||F
2765 OBX|1|RP|11502-2^LABORATORY REPORT.TOTAL^LN||file://hserv/lr/lr12345678.pdf|||F|P

```

**HL7 and HEALTH LEVEL SEVEN** are the registered trademarks of Health Level Seven International.

Positive acknowledgement sent by the Order Results Tracker:

MSH|^~\&|ORT||OF|Cytology|200310060935||**ACK^R**01^ACK|401|T|2.5||||USA|EN

MSA|**AA**|**015**

**HL7 and HEALTH LEVEL SEVEN are the registered trademarks of Health Level Seven International.**



2770 **4.5 Microbiology with Two Specimens and Three Germs Identified**

**4.5.1 Storyboard**

This storyboard illustrates the use of transaction LAB-2 to notify generated batteries at the Order Filler level (i.e., antibiotic susceptibilities, within the same placer group number).

2775 Dr. Physician orders Microscopy and Culture for two different specimens collected from the same patient. The first specimen is Mid Stream Urine and the second one is Pus taken from a wound on patient's left toe. Since several batteries could be performed on each specimen (e.g., Microscopy and Culture, identification of organism, Antibiotic Susceptibility) the Order Placer transmits an OML^O33 message. Since both specimens are part of the same prescription, they are grouped via the Placer Group Number '777'.

2780 The patient is an Outpatient in Emergency ward.

We presume that all tests are performed manually and that results are directly entered by the laboratory technician in the Order Filler system, there is then neither LAB-4, nor LAB-5 transaction in this story board. We also presume that results for observations related to the urine specimen are transferred as soon they are available, whilst the Clinical Expert desires to review results related to other specimen types before they are released.

2785 In this storyboard, a CIS application implements both Actors Order Placer and Order Result Tracker, which suppresses the need for OML messages “Status Change” from OF to OP.

Human actors and organizations participating to the process:

Assigning authority: Memphis Hosp 1

2790 Placer: Emergency Ward

Filler: Microbiology

Ordering facility: Emergency Ward

Patient: Adam Everyman Jr., account number: 12345 (check-digit 5 modulo 10), class = outpatient

2795 Order placed by: Dr. PHYSICIAN, phone number 821, ID number in the hospital 222222.

Placer order enterer: Nancy NURSE, ID number 222221

Specimen collector: Nancy NURSE, ID number 222221

Technician: Terry BACK, ID number 333231

Clinical expert: Mike ROSCOP, ID number 444642

2800 ID numbers used by the workflow:

ID number	Value	Assigned by
Patient ID	12345	Admission office (ADT)

**HL7 and HEALTH LEVEL SEVEN are the registered trademarks of Health Level Seven International.**

ID number	Value	Assigned by
Care unit order for Urine Spec.	12345679	Emergency Ward (OP)
Care unit order for Pus Spec.	12345670	Emergency Ward (OP)
Care unit order group	777	Emergency Ward (OP)
1 <sup>st</sup> specimen	123456791	Emergency Ward (OP)
2 <sup>nd</sup> specimen	123456701	Emergency Ward (OP)
Laboratory order for the Urine	MSU0309922	Microbiology laboratory (OF)
Laboratory order for the PUS	PUS0300666	Microbiology laboratory (OF)

**Day 1 at 8:10 LAB-1 interaction:** The two specimens are collected and transmitted to the Microbiology laboratory in Routine. The Order Placer sends a message “new order” (NW) to the order placer.

2805 **Day 1 at 8:20 LAB-3 interaction:** The laboratory checks the specimens and schedules the work. The Order Filler notifies Order Result Tracker of the scheduled work.

**Day 1 at 14:46 LAB-3 interaction:** After Microscopy for the Urine Specimen is achieved, the Order Filler notifies these partial results to the Order Result Tracker without waiting for the clinical validation.

2810 **Day 2 at 09:40 LAB-2 and LAB-3 interactions:** The following day, the Urine culture is positive, the laboratory adds Organism identification and Antibiotic Susceptibility test for this specimen. The Order Filler requires a Placer Order Number to the Order Placer for the added tests (Transaction LAB-2) and notifies this action to the Order Result Tracker via transaction LAB-3.

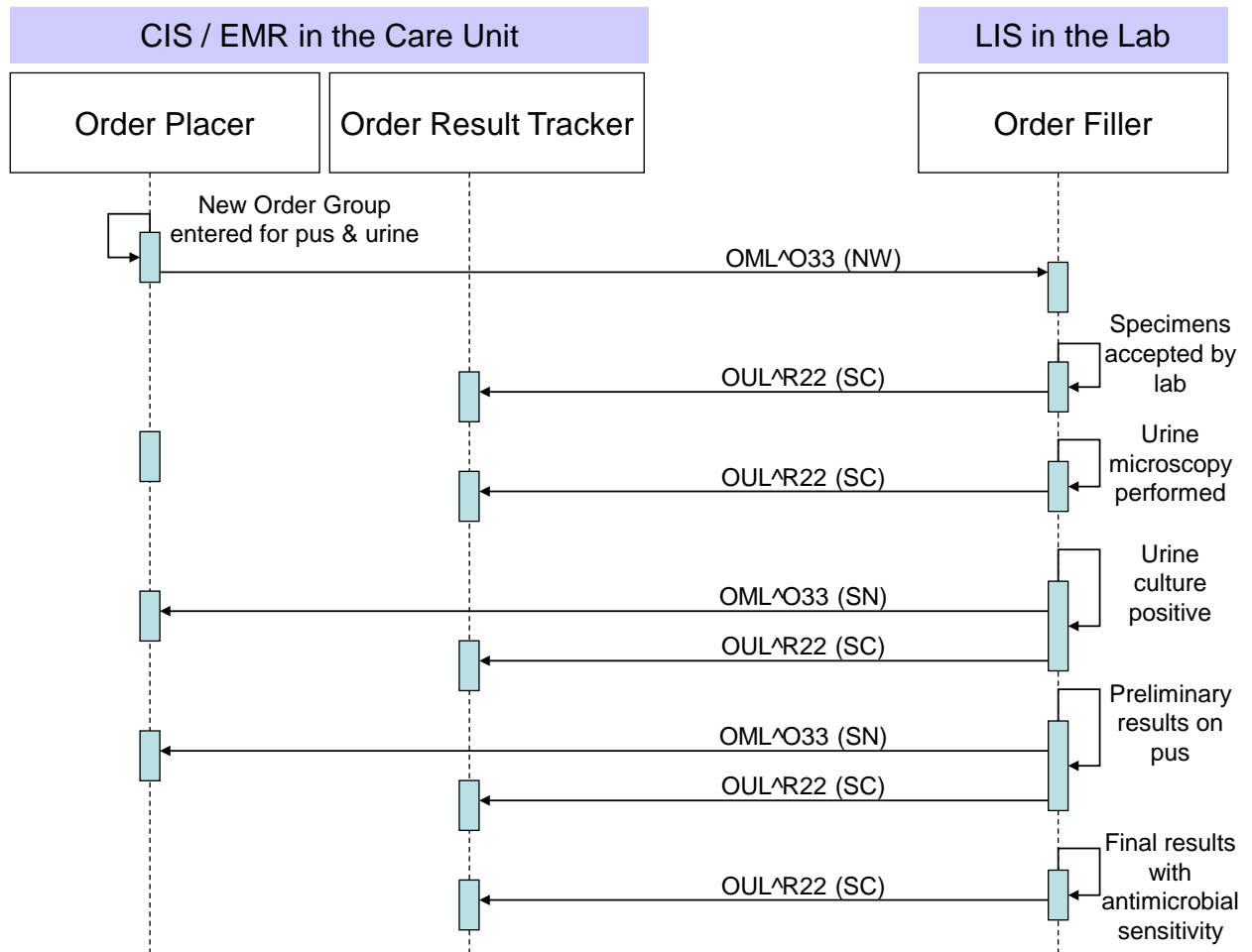
2815 **Day 2 at 09:45 LAB-2 and LAB-3 interactions:** The result of Microscopy and Culture is positive for the Pus specimen, the clinical expert has validated these preliminary results and the laboratory adds Organism identification and Antibiotic Susceptibility test for this specimen. The Order Filler requires a Placer Order Number to the Order Placer for the added tests (Transaction LAB-2) and it notifies this action to the Order Result Tracker via transaction LAB-3.

2820 **Day 3 at 11:32 LAB-3 interaction:** The next day, organism identification and Antibiotic Susceptibility tests are achieved; final results are transmitted to the Order Result Tracker after the clinical validation has been performed.

<p><b>HL7 and HEALTH LEVEL SEVEN are the registered trademarks of Health Level Seven International.</b></p>
---

### 4.5.2 Interaction Diagram

2825



2830

This example of microbiology workflow has selected the OUL^R22 message structure to convey the results back to the EMR system, because this specimen-centric message structure is particularly appropriate for microbiology results, which are usually specimen-centric, and for which the provision of specimen data is of key importance to the receiving system.

2835

Nevertheless, ORU^R01 could also have been used instead, providing the same specimen data in a SPECIMEN segment group at the bottom of each ORDER\_OBSERVATION segment group, as stated in Section 3.3.5.2 “ORU^R01 Static Definition”. Alternative messages using ORU^R01 are shown on the first and last LAB-3 interaction of this use case.

**HL7 and HEALTH LEVEL SEVEN are the registered trademarks of Health Level Seven International.**

### 4.5.3 Messages

#### 4.5.3.1 LAB-1 (OP → OF): Message “New order” with Two Specimens

Day 1 at 8:10 A new placer order sent to the Order Filler.

```

2840 MSH|^~\&|OP|Emergency Ward|OF|Microbiology|200309060810||OML^O33^OML_O33|msgOP123|
T|2.5|123|||USA|EN
PID|1||12345^5^M10^Memphis_Hosp^PI||EVERYMAN^ADAM^^JR^^L|19800101|M
PV1|1|O|Ward|||||||12345
2845 SPM|1|123456791^Emergency|MSU^Mid Stream Urine^L|||||P|||||200309060800|||||1
ORC|NW|12345679^Emergency|777^Emergency|||||200309060800|222221^NURSE^NANCY|||||
|Emergency Ward^^^^^^FI^^EW00
TQ1||||||R
OBR|1|12345679^Emergency|87086^Urine Microscopy and Culture^C4|||||S|||||
22222^PHYSICIAN^^^DR|
2850 SPM|2|123456701^Emergency|PUS|||TOE|LEFT|P|||||200309060805|||||1
ORC|NW|12345670^Emergency|777^Emergency|||||200309060800|222221^NURSE^NANCY|||||
|Emergency Ward^^^^^^FI^^EW00
TQ1||||||R
OBR|1|12345670^Emergency|87040^Microscopy and Culture^C4|||||222221^NURSE^NANCY
2855 |S|||||22222^PHYSICIAN^^^DR|

```

The related acknowledgement message isn't shown.

#### 4.5.3.2 LAB-3 (OF → ORT): Message “Order Status Change”

Day 1 at 8:20 The Order Result Tracker is informed that the laboratory has accepted the specimens for a new microbiology order:

```

2860 MSH|^~\&|OF|Microbiology|ORT||200309060820||OUL^R22^OUL_R22|msgOF12|T|2.5|123|||
USA|EN
PID|1||12345^5^M10^Memphis_Hosp^PI||EVERYMAN^ADAM^^JR^^L|19800101|M
PV1|1|O|Ward|||||||12345
2865 SPM|1|123456791^Emergency|MSU^Mid Stream
Urine^L|||||P|||||200309060800|200309060818||Y...
OBR|1|12345679^Emergency|MSU0309922^Micro|87086^Urine Microscopy and Culture^C4|||||
|||||22222^PHYSICIAN^^^DR|||||I
ORC|SC|12345679^Emergency|777^Emergency|IP|||||200309060818|||||
Emergency Ward^^^^^^FI^^EW00
2870 SPM|2|123456701^Emergency|PUS|||TOE|LEFT|P|||||200309060805|200309060818||Y...
OBR|1|12345670^Emergency|PUS0300666^Micro|87040^Microscopy and
Culture^C4|||||222221^NURSE^NANCY|||||22222^PHYSICIAN^^^DR|||||I
ORC|SC|12345670^Emergency|777^Emergency|IP|||||200309060818|||||
Emergency Ward^^^^^^FI^^EW00

```

2875 The related acknowledgement message isn't shown.

#### 4.5.3.3 LAB-3 (OF → ORT): Message “Status Changed”

Day 1 at 14:46 Urine Microscopy results are sent, not clinically validated (i.e., not verified):

```

2880 MSH|^~\&|OF|Microbiology|ORT||200309061446||OUL^R22^OUL_R22|msgOF14|T|2.5|123|||USA|
EN
PID|1||12345^5^M10^Memphis_Hosp^PI||EVERYMAN^ADAM^^JR^^L|19800101|M
PV1|1|O|Ward|||||||12345

```

**HL7 and HEALTH LEVEL SEVEN are the registered trademarks of Health Level Seven International.**

2885 SPM|1|123456791^Emergency|MSU^Mid Stream  
 Urine^L|||||P|||||200309060800|200309060818||Y|...  
 OBR|1|12345679^Emergency|MSU0309922^Micro|87086^Urine Microscopy and Culture^C4|||||  
 |||||222222^PHYSICIAN^^^DR|||||MB|A  
 ORC|SC|12345679^Emergency||777^Emergency|A|||||200309060818|||||  
 Emergency Ward^^^^^FI^^EW00  
 TQ1|||||R  
 2890 OBX|1|CE|20453-7^Epithelial Cells^LN|value||N||R|||200309061445|333231^BACK^TERRY  
 OBX|2|NM|20455-2^Leukocytes^LN|value/ml|N||R|||200309061445|333231^BACK^TERRY  
 OBX|3|NM|32776-7^Erythrocytes^LN|value/ml|N||R|||200309061445|333231^BACK^TERRY  
 OBX|4|CE|24124-0^Casts^LN|value||N||R|||200309061445|333231^BACK^TERRY  
 OBX|5|NM|699-9^Organism Count^LN|value/ml|N||R|||200309061445|333231^BACK^TERRY  
 OBX|6||20430-5^Culture^LN||||N||I|||200309070935|333231^BACK^TERRY

2895 The related acknowledgement message isn't shown.

The same content could also have been provided using this ORU^R01 message:

2900 MSH|^~\&|OF|Microbiology|ORT||200309060820||ORU^R01^ORU\_R01|msgOF12|T|2.5|123|||  
 USA||EN  
 PID|1||12345^5^M10^Memphis\_Hosp^PI||EVERYMAN^ADAM^^JR^^L|19800101|M  
 PV1|1|O|Ward|||||12345  
 ORC|SC|12345679^Emergency||777^Emergency|IP|||||200309060818|||||  
 Emergency Ward^^^^^FI^^EW00  
 2905 OBR|1|12345679^Emergency|MSU0309922^Micro|87086^Urine Microscopy and Culture^C4|||||  
 |||||222222^PHYSICIAN^^^DR|||||I  
 SPM|1|123456791^Emergency|MSU^Mid Stream  
 Urine^L|||||P|||||200309060800|200309060818||Y|...  
 ORC|SC|12345670^Emergency||777^Emergency|IP|||||200309060818|||||  
 Emergency Ward^^^^^FI^^EW00  
 2910 OBR|1|12345670^Emergency|PUS0300666^Micro|87040^Microscopy and  
 Culture^C4|||||222221^NURSE^NANCY|||||222222^PHYSICIAN^^^DR|||||I  
 SPM|1|123456701^Emergency|PUS||||TOE|LEFT|P|||||200309060805|200309060818||Y|...

**4.5.3.4 LAB-2(OF → OP): Message “Send Order Number”**

2915 Day 2 at 9:40 Urine Culture is positive with two microorganisms detected, not identified yet., Reflex tests Organism Identification and two Antimicrobial Susceptibility batteries are added. For each, a placer order number is requested from the Order Placer, within Placer Group Number 777^Emergency.

2920 MSH|^~\&|OF|Microbiology|OP|Emergency Ward|200309070940||OML^O33^OML\_O33|msgOF15|  
 T|2.5|123|||USA||EN  
 PID|1||12345^5^M10^Memphis\_Hosp^PI||EVERYMAN^ADAM^^JR^^L|19800101|M  
 PV1|1|O|Ward|||||12345  
 2925 SPM|1|123456791^Emergency|MSU^Mid Stream  
 Urine^L|||||P|||||200309060800|200309060818||Y|...  
 ORC|SN||777^Emergency|||||200309070938|333231^BACK^TERRY|||||  
 Emergency Ward^^^^^FI^^EW00  
 OBR|1||MSU03099221^Micro|87088^Organism Identification^C4|||||  
 G|||||222222^PHYSICIAN^^^DR|||||MB

**HL7 and HEALTH LEVEL SEVEN are the registered trademarks of Health Level Seven International.**

2930 ORC | SN | 777^Emergency | 200309070938 | 333231^BACK^TERRY | Emergency  
 Ward^^^^^FI^^EW00  
 OBR | 2 | MSU03099222^Micro | 87186^Antibiotic Susceptibility^C4 |  
 G | 222222^PHYSICIAN^^^DR | MB  
 2935 ORC | SN | 777^Emergency | 200309070938 | 333231^BACK^TERRY | Emergency  
 Ward^^^^^FI^^EW00  
 OBR | 3 | MSU03099223^Micro | 87186^Antibiotic Susceptibility^C4 |  
 G | 222222^PHYSICIAN^^^DR | MB

**Acknowledgement sent by the Order Placer:**

2940 MSH | ^~\& | OP | Emergency  
 Ward | OF | Microbiology | 200309070940 | ORL^O34^ORL\_O34 | msgOP123 | T | 2.5 | 123 | USA | EN  
 MSA | AA | msgOF15  
 PID | 1 | 12345^5^M10^Memphis\_Hosp^PI | EVERYMAN^ADAM^^JR^^L | 19800101 | M  
 SPM | 1 | 123456791^Emergency | MSU^Mid Stream  
 Urine^L | P | 200309060800 | 200309060818 | Y | ...  
 2945 ORC | NA | 12345681^Emergency | 777^Emergency | 200309070938 | 333231^BACK^TERRY | Emergency Ward^^^^^FI^^EW00  
 OBR | 1 | 12345681^Emergency | MSU03099221^Micro | 87088^Organism Identification^C4 |  
 G | 222222^PHYSICIAN^^^DR | MB  
 2950 ORC | NA | 12345682^Emergency | 777^Emergency | 200309070938 | 333231^BACK^TERRY | Emergency Ward^^^^^FI^^EW00  
 OBR | 2 | 12345682^Emergency | MSU03099222^Micro | 87186^Antibiotic Susceptibility^C4 |  
 G | 222222^PHYSICIAN^^^DR | MB  
 ORC | NA | 12345683^Emergency | 777^Emergency | 200309070938 | 333231^BACK^TERRY | Emergency Ward^^^^^FI^^EW00  
 2955 OBR | 3 | 12345683^Emergency | MSU03099223^Micro | 87186^Antibiotic Susceptibility^C4 |  
 G | 222222^PHYSICIAN^^^DR | MB

**4.5.3.5 LAB-3 (OF → ORT): Message “Status Changed”**

Day 2 at 09:42 Results for Urine Microscopy and Culture are released. Organism Identification and Antibiotic Susceptibility tests have been added

2960 Note: The Order Placer has acknowledged transaction LAB-2 and an Order Placer Number has been added to each test added by the laboratory  
 MSH | ^~\& | OF | Microbiology | ORT | 200309070942 | OUL^R22^OUL\_R22 | msgOF16 | T | 2.5 | 123 | USA | EN  
 PID | 1 | 12345^5^M10^Memphis\_Hosp^PI | EVERYMAN^ADAM^^JR^^L | 19800101 | M  
 2965 PV1 | 1 | O | Ward | 12345  
 SPM | 1 | 123456791^Emergency | MSU^Mid Stream Urine^L | P | 200309060800 | 200309060818 | Y | ...  
 OBR | 1 | 12345679^Emergency | MSU0309922^Micro | 87086^Urine Microscopy and Culture^C4 |  
 | 222222^PHYSICIAN^^^DR | MB | R  
 2970 ORC | SC | 12345679^Emergency | 777^Emergency | A | 200309060818 | Emergency Ward^^^^^FI^^EW00  
 TQ1 | R  
 OBX | 1 | CE | 20453-7^Epithelial Cells^LN | value | N | R | 200309061445 | 333231^BACK^TERRY  
 OBX | 2 | NM | 20455-2^Leukocytes^LN | value/ml | N | R | 200309061445 | 333231^BACK^TERRY  
 2975 OBX | 3 | NM | 32776-7^Erythrocytes^LN | value/ml | N | R | 200309061445 | 333231^BACK^TERRY  
 OBX | 4 | CE | 24124-0^Casts^LN | value | N | R | 200309061445 | 333231^BACK^TERRY  
 OBX | 5 | NM | 699-9^Organism Count^LN | value/ml | N | R | 200309061445 | 333231^BACK^TERRY  
 OBX | 6 | CE | 20430-5^Culture^LN | 2ORG^Two Organisms^L | N | R | 200309070935 | 333231^BACK^TERRY  
 2980 OBR | 2 | 12345681^Emergency | MSU03099221^Micro | 87088^Organism Identification^C4 |  
 G | 222222^PHYSICIAN^^^DR | MB | S

**HL7 and HEALTH LEVEL SEVEN are the registered trademarks of Health Level Seven International.**

```

2985 ORC | SC | 12345681^Emergency | 777^Emergency | IP | | | 200309070938 | 333231^BACK^TERRY | | | | | | | |
      | | Emergency Ward^^^^^^FI^^EW00
      OBR | 3 | 12345682^Emergency | MSU03099222^Micro | 87186^Antibiotic Susceptibility^C4 | | | | | |
      G | | | 222222^PHYSICIAN^^^^DR | | | | | | | | MB | S
2990 ORC | SC | 12345682^Emergency | 777^Emergency | IP | | | 200309070938 | 333231^BACK^TERRY | | | | | | | |
      | | Emergency Ward^^^^^^FI^^EW00
      OBR | 4 | 12345683^Emergency | MSU03099223^Micro | 87186^Antibiotic Susceptibility^C4 | | | | | |
      G | | | 222222^PHYSICIAN^^^^DR | | | | | | | | MB | S
      ORC | SC | 12345683^Emergency | 777^Emergency | IP | | | 200309070938 | 333231^BACK^TERRY | | | | | | | |
      | | Emergency Ward^^^^^^FI^^EW00
    
```

The related acknowledgement message isn't shown.

#### 4.5.3.6 LAB-2(OF → OP): Message “Send Order Number”

2995 Day 2 at 9:45 Culture for Pus specimen is positive, reflex tests Organism Identification and Antibiotic Susceptibility are added. For each, a placer order number is requested from the Order Placer, within Placer Group Number 777^Emergency.

```

3000 MSH | ^~\& | OF | Microbiology | OP | Emergency Ward | 200309070945 | | OML^O33 | msgOF18 | T | 2.5 | 123
      | | | USA | | EN
      PID | 1 | | 12345^5^M10^Memphis_Hosp^PI | | EVERYMAN^ADAM^^JR^^L | 19800101 | M
      PV1 | 1 | O | Ward | | | | | | | | | | | | | | 12345
      SPM | 1 | 123456701^Emergency | | PUS | | | TOE | LEFT | | P | | | | | 200309060805 | 200309060818 | | Y | ...
      ORC | SN | | 777^Emergency | | | | | 200309070941 | 333231^BACK^TERRY | | | | | | | | | |
      | | Emergency Ward^^^^^^FI^^EW00
      OBR | 1 | | PUS03006661^Micro | 87088^Organism Identification^C4 | | | | | |
      G | | | 222222^PHYSICIAN^^^^DR | | | | | | | | MB
      ORC | SN | | 777^Emergency | | | | | 200309070941 | 333231^BACK^TERRY | | | | | | | | | |
      | | Emergency Ward^^^^^^FI^^EW00
      OBR | 2 | | PUS03006662^Micro | 87186^Antibiotic Susceptibility^C4 | | | | | |
      G | | | 222222^PHYSICIAN^^^^DR | | | | | | | | MB
    
```

3010 Acknowledgement sent by the Order Placer:

```

      MSH | ^~\& | OP | Emergency
      Ward | OF | Microbiology | 200309070945 | | ORL^O34^ORL_O34 | msgOP124 | T | 2.5 | 123 | | | USA | | EN
      MSA | AA | msgOF18
      PID | 1 | | 12345^5^M10^Memphis_Hosp^PI | | EVERYMAN^ADAM^^JR^^L | 19800101 | M
      SPM | 1 | 123456701^Emergency | | PUS | | | TOE | LEFT | | P | | | | | 200309060805 | 200309060818 | | Y | ...
      ORC | NA | 12345685^Emergency | 777^Emergency | | | | 200309070941 | 333231^BACK^TERRY | | | | | | | | | |
      | | Emergency Ward^^^^^^FI^^EW00
      OBR | 1 | | 12345685^Emergency | PUS03006661^Micro | 87088^Organism Identification^C4 | | | | | |
      G | | | 222222^PHYSICIAN^^^^DR | | | | | | | | MB
      ORC | NA | 12345686^Emergency | 777^Emergency | | | | 200309070941 | 333231^BACK^TERRY | | | | | | | | | |
      | | Emergency Ward^^^^^^FI^^EW00
      OBR | 2 | | 12345686^Emergency | PUS03006662^Micro | 87186^Antibiotic
      Susceptibility^C4 | | | | | | G | | | | 222222^PHYSICIAN^^^^DR | | | | | | | | MB
    
```

#### 4.5.3.7 LAB-3 (OF → ORT): Message “Status Changed”

3025 Day 2 at 09:45 The Clinical Expert has validated the preliminary results of Microscopy and culture for the Pus Specimen.

Note: Although the Culture is positive, the result status is not "Final" other Organisms may grow during the next 24 hours. Results of culture will be considered as final on Day 3 after 48 hours of incubation.

HL7 and HEALTH LEVEL SEVEN are the registered trademarks of Health Level Seven International.

```

3030 MSH|^~\&|OF|Microbiology|ORT||200309070945||OUL^R22^OUL_R22|msgOF19|T|2.5|123|||
USA|EN
PID|1||12345^5^M10^Memphis_Hosp^PI||EVERYMAN^ADAM^^JR^^L|19800101|M
PV1|1|O|Ward|||||||12345
SPM|1|123456701^Emergency|PUS||TOE|LEFT|P|||||200309060805|200309060818|Y|...
3035 OBR|1|12345670^Emergency|PUS0300666^Micro|87040^Microscopy and Culture^C4|||||222221^NURSE^NANCY
|||||222222^PHYSICIAN^^^DR|||||MB|P|||||444642&ROSCOP&Mike^200309070944
ORC|SC|12345670^Emergency|777^Emergency|A|||||200309060818|||||||
Emergency Ward^^^^^FI^^EW00
OBX|1|NM|32761-9^Leukocytes^LN||value||N||F|||200309061125||333231^BACK^TERRY
3040 OBX|2|NM|32762-7^Epithelial Cells^LN||value||N||F|||200309061125||333231^BACK^TERRY
OBX|3|CE|20430-5^Culture^LN||POS^Positive^L||N||P|||200309070935||333231^BACK^TERRY
OBR|2|12345685^Emergency|PUS03006661^Micro|87088^Organism Identification^C4|||||G|||||MB|S
ORC|SC|12345685^Emergency|777^Emergency|IP|||||200309070941||333231^BACK^TERRY|||||Emergency
Ward^^^^^FI^^EW00
3045 OBR|3|12345686^Emergency|PUS03006662^Micro|87186^Antibiotic Susceptibility^C4|||||G|||||MB|S
ORC|SC|12345686^Emergency|777^Emergency|IP|||||200309070941||333231^BACK^TERRY|||||Emergency
Ward^^^^^FI^^EW00

```

The related acknowledgement message isn't shown.

#### 4.5.3.8 LAB-3 (OF → ORT): Message “Status Changed”

3050 Day 3 at 11:32 Mike ROSCOP has performed the clinical validation at 11h30. Final results are transmitted.

Note: This message is conforming to the requirements given in Section 3.11 “Microbiology Reporting Rules”. In particular: Grouping of the results per microorganism using Observation Sub-ID (OBX-4), and association of antimicrobial sensitivity and microorganism identified, based on the parent/child mechanism: Parent Result (OBR-26) & Parent (OBR-29). Classification of the results (OBX) below an OBR per microorganism.

```

3055
MSH|^~\&|OF|Microbiology|ORT||200309081132||OUL^R22^OUL_R22|msgOF21|T|2.5|
123|||USA|EN
3060 PID|1||12345^5^M10^Memphis_Hosp^PI||EVERYMAN^ADAM^^JR^^L|19800101|M
PV1|1|O|Ward|||||||12345
SPM|1|123456791^Emergency|MSU^Mid Stream
Urine^L|||||P|||||200309060800|200309060818|Y|...
3065 OBR|1|12345679^Emergency|MSU0309922^Micro|87086^Urine Microscopy and Culture^C4|||||
|||||222222^PHYSICIAN^^^DR|||||MB|F|||||444642&ROSCOP&Mike^200309081130
ORC|SC|12345679^Emergency|777^Emergency|CM|||||200309060818|||||Emergency
Ward^^^^^FI^^EW00
TQ1|||||R
3070 OBX|1|CE|20453-7^Epithelial Cells^LN||value||N||F|||200309061445||333231^BACK^TERRY
OBX|2|NM|20455-2^Leukocytes^LN||value|/ml|N||F|||200309061445|...
OBX|3|NM|32776-7^Erythrocytes^LN||value|/ml|N||F|||200309061445|...
OBX|4|CE|24124-0^Casts^LN||value||N||F|||200309061445||333231^BACK^TERRY
OBX|5|NM|699-9^Organism Count^LN||value|/ml|N||F|||200309061445|...
3075 OBX|6|CE|20430-5^Culture^LN||2ORG^Two Organisms^L||N||F|||200309070935|...
OBR|2|12345681^Emergency|MSU03099221^Micro|87088^Organism Identification^C4|||||
|||||MB|F|||||444642&ROSCOP&Mike^200309081130
ORC|SC|12345681^Emergency|777^Emergency|CM|||||200309070938||333231^BACK^TERRY|||||
||Emergency Ward^^^^^FI^^EW00
3080 OBX|1|ST|11475-1^Micro organism identified^LN|1|E. Coli||N||F|||...
OBX|2|ST|11475-1^Micro organism identified^LN|2|Strepto D||N||F|||...

```

**HL7 and HEALTH LEVEL SEVEN are the registered trademarks of Health Level Seven International.**



```

OBR|3|12345682^Emergency|MSU03099222^Micro|87186^Antibiotic Susceptibility^C4
|||||MB|F|11475-1&Micro organism identified&LN^1^E. Coli|||
12345681&Emergency^MSU03099221&Micro|||444642&ROSCOP&Mike^200309081130
3085 ORC|SC|12345682^Emergency|777^Emergency|CM|||200309070938|333231^BACK^TERRY|||||
|Emergency Ward^^^^^FI^^EW00
OBX|1|SN|18861-5^Amoxicillin^LN|1|>=^0.512|ug/ml|R||F||200309081107|...
OBX|2|SN|18864-9^Ampicillin^LN|1|<^0.128|ug/ml|I||F||200309081107|...
OBX|3|SN|18952-2^Nalidixate^LN|1|>=^2.0|ug/ml|R||F||200309081107|...
3090 OBX|4|SN|18956-3^Norfloxacin^LN|1|value|ug/ml|I||F||200309081107|...
OBX|5|SN|18928-2^Gentamicin^LN|1|<^0.032|ug/ml|S||F||200309081107|...
OBX|6|SN|25596-8^Fosfomycine^LN|1|<^0.1|ug/ml|S||F||200309081107|...
OBX|7|SN|18955-5^Nitrofuranton^LN|1|<^0.25|ug/ml|S||F||200309081107|...
OBR|4|12345683^Emergency|MSU03099223^Micro|87186^Antibiotic Susceptibility^C4
|||||MB|F|11475-1&Micro organism identified&LN^2^Strepto D|||
3095 12345681&Emergency^MSU03099221&Micro|||444642&ROSCOP&Mike^200309081130
ORC|SC|12345683^Emergency|777^Emergency|CM|||200309070938|333231^BACK^TERRY|||||
|Emergency Ward^^^^^FI^^EW00
OBX|8|SN|18965-4^Penicillin G^LN|2|<^0.5|ug/ml|S||F||200309081107|...
3100 OBX|9|SN|18861-5^Amoxicillin^LN|2|value|ug/ml|S||F||200309081107|...
OBX|10|SN|18864-9^Ampicillin^LN|2|value|ug/ml|S||F||200309081107|...
OBX|11|SN|18928-2^Gentamicin^LN|2|value|ug/ml|R||F||200309081107|...
OBX|12|SN|18917-5^Doxycycline^LN|2|value|ug/ml|R||F||200309081107|...
OBX|13|SN|18919-1^Erythromycin^LN|2|value|ug/ml|R||F||200309081107|...
3105 OBX|14|SN|18974-6^Rifampicin^LN|2|value|ug/ml|S||F||200309081107|...
OBX|15|SN|18938-1^Lincomycin^LN|2|value|ug/ml|R||F||200309081107|...
SPM|2|123456701^Emergency|PUS||TOE|LEFT|P|||200309060805|200309060818|Y|...
OBR|1|12345670^Emergency|PUS0300666^Micro|87040^Microscopy and
Culture^C4|||||222221^NURSE^NANCY
|||||222222^PHYSICIAN^^^DR|||||MB|F|||||444642&ROSCOP&Mike^200309081130
3110 ORC|SC|12345670^Emergency|777^Emergency|CM|||200309060818|Emergency
Ward^^^^^FI^^EW00
OBX|1|CE|32761-9^Leukocytes^LN|value||N||F||200309060830
OBX|2|CE|32762-7^Epithelial Cells^LN|value||N||F||200309060830|333231^BACK^TERRY
OBX|3|CE|20430-5^Culture^LN|POS^Positive^L||N||F||200309070935|...
3115 |333231^BACK^TERRY
OBR|2|12345685^Emergency|PUS03006661^Micro|87072^Organism
Identification^C4|||||MB|F|||||444642&ROSCOP&Mike^200309081130
ORC|SC|12345685^Emergency|777^Emergency|CM|||200309070941|333231^BACK^TERRY|||||
|Emergency Ward^^^^^FI^^EW00
3120 OBX|1|ST|21020-3^Micro organism identified^LN|1|Staph Aureus||N||F||200309080830|...
OBR|3|12345686^Emergency|PUS03006662^Micro|87186^Antibiotic
Susceptibility^C4|||||MB|F|21020-3&Micro organism
identified&LN^1^Staph Aureus|||
12345685&Emergency^PUS03006661&Micro|||444642&ROSCOP&Mike^200309081130
3125 ORC|SC|12345686^Emergency|777^Emergency|CM|||200309070938|333231^BACK^TERRY|||||
|Emergency Ward^^^^^FI^^EW00
OBX|1|SN|18928-2^Gentamicin^LN|1|value|ug/ml|S||F||200309080830|...
OBX|2|SN|18996-9^Tobramycin^LN|1|value|ug/ml|R||F||200309080830|...
OBX|3|SN|18954-8^Netilmicin^LN|1|value|ug/ml|S||F||200309080830|...
3130 OBX|4|SN|18959-7^Ofloxacin^LN|1|value|ug/ml|S||F||200309080830|...
OBX|5|SN|18917-5^Doxycycline^LN|1|value|ug/ml|S||F||200309080830|...
OBX|6|SN|19000-9^Vancomycin^LN|1|value|ug/ml|S||F||200309080830|...
OBX|7|SN|18974-6^Rifampicin^LN|1|value|ug/ml|S||F||200309080830|...
OBX|8|SN|25596-8^Fosfomycine^LN|1|value|ug/ml|S||F||200309080830|...
3135

```

The related acknowledgement message isn't shown.

**HL7 and HEALTH LEVEL SEVEN** are the registered trademarks of Health Level Seven International.

The same content could also have been provided using this ORU^R01 message:

```

3140 MSH|^~\&|OF|Microbiology|ORT||200309081132||ORU^R01^ORU_R01|msgOF21|T|2.5|
123|||USA|EN
PID|1||12345^5^M10^Memphis_Hosp^PI||EVERYMAN^ADAM^JR^^^L|19800101|M
PV1|1|O|Ward|||||||12345
3145 ORC|SC|12345679^Emergency||777^Emergency|CM|||200309060818|||Emergency
Ward^^^^^^FI^^EW00
OBR|1||12345679^Emergency||MSU0309922^Micro|87086^Urine Microscopy and Culture^C4|||||
|||222222^PHYSICIAN^^^DR|||MB|F|||444642&ROSCOP&Mike^200309081130
TQ1||||R
OBX|1|CE|20453-7^Epithelial Cells^LN|value||N||F||200309061445||333231^BACK^TERRY
3150 OBX|2|NM|20455-2^Leukocytes^LN|value/ml|N||F||200309061445|...
OBX|3|NM|32776-7^Erythrocytes^LN|value/ml|N||F||200309061445|...
OBX|4|CE|24124-0^Casts^LN|value||N||F||200309061445||333231^BACK^TERRY
OBX|5|NM|699-9^Organism Count^LN|value/ml|N||F||200309061445|...
OBX|6|CE|20430-5^Culture^LN||2ORG^Two Organisms^L||N||F||200309070935|...
3155 SPM|1|123456791^Emergency||MSU^Mid Stream
Urine^L||||P||||200309060800|200309060818||Y|...
ORC|SC|12345681^Emergency||777^Emergency|CM|||200309070938|333231^BACK^TERRY|||||
||Emergency Ward^^^^^^FI^^EW00
OBR|2||12345681^Emergency||MSU03099221^Micro|87088^Organism Identification^C4|||||
||||MB|F|||444642&ROSCOP&Mike^200309081130
3160 OBX|1|ST|11475-1^Micro organism identified^LN|1|E. Coli||N||F||...
OBX|2|ST|11475-1^Micro organism identified^LN|2|Strepto D||N||F||...
SPM|1|123456791^Emergency||MSU^Mid Stream
Urine^L||||P||||200309060800|200309060818||Y|...
3165 ORC|SC|12345682^Emergency||777^Emergency|CM|||200309070938|333231^BACK^TERRY|||||
||Emergency Ward^^^^^^FI^^EW00
OBR|3||12345682^Emergency||MSU03099222^Micro|87186^Antibiotic Susceptibility^C4
||||MB|F||11475-1&Micro organism identified&LN^1^E. Coli||
12345681&Emergency^MSU03099221&Micro||444642&ROSCOP&Mike^200309081130
3170 OBX|1|SN|18861-5^Amoxicillin^LN|1|>=^0.512|ug/ml|R||F||200309081107|...
OBX|2|SN|18864-9^Ampicillin^LN|1|<^0.128|ug/ml|I||F||200309081107|...
OBX|3|SN|18952-2^Nalidixate^LN|1|>=^2.0|ug/ml|R||F||200309081107|...
OBX|4|SN|18956-3^Norfloxacin^LN|1|value|ug/ml|I||F||200309081107|...
OBX|5|SN|18928-2^Gentamicin^LN|1|<^0.032|ug/ml|S||F||200309081107|...
3175 OBX|6|SN|25596-8^Fosfomycine^LN|1|<^0.1|ug/ml|S||F||200309081107|...
OBX|7|SN|18955-5^Nitrofuranton^LN|1|<^0.25|ug/ml|S||F||200309081107|...
SPM|1|123456791^Emergency||MSU^Mid Stream
Urine^L||||P||||200309060800|200309060818||Y|...
ORC|SC|12345683^Emergency||777^Emergency|CM|||200309070938|333231^BACK^TERRY|||||
||Emergency Ward^^^^^^FI^^EW00
3180 OBR|4||12345683^Emergency||MSU03099223^Micro|87186^Antibiotic Susceptibility^C4
||||MB|F||11475-1&Micro organism identified&LN^2^Strepto D||
12345681&Emergency^MSU03099221&Micro||444642&ROSCOP&Mike^200309081130
OBX|8|SN|18965-4^Penicillin G^LN|2|<^0.5|ug/ml|S||F||200309081107|...
3185 OBX|9|SN|18861-5^Amoxicillin^LN|2|value|ug/ml|S||F||200309081107|...
OBX|10|SN|18864-9^Ampicillin^LN|2|value|ug/ml|S||F||200309081107|...
OBX|11|SN|18928-2^Gentamicin^LN|2|value|ug/ml|R||F||200309081107|...
OBX|12|SN|18917-5^Doxycycline^LN|2|value|ug/ml|R||F||200309081107|...
OBX|13|SN|18919-1^Erythromycin^LN|2|value|ug/ml|R||F||200309081107|...
3190 OBX|14|SN|18974-6^Rifampicin^LN|2|value|ug/ml|S||F||200309081107|...
OBX|15|SN|18938-1^Lincomycin^LN|2|value|ug/ml|R||F||200309081107|...
SPM|1|123456791^Emergency||MSU^Mid Stream
Urine^L||||P||||200309060800|200309060818||Y|...

```

**HL7 and HEALTH LEVEL SEVEN are the registered trademarks of Health Level Seven International.**

3195 ORC|SC|12345670^Emergency|777^Emergency|CM|||200309060818|||Emergency  
Ward^^^^^^FI^^EW00  
OBR|1|12345670^Emergency|PUS0300666^Micro|87040^Microscopy and  
Culture^C4|||222221^NURSE^NANCY  
|||22222^PHYSICIAN^^^DR|||MB|F|||444642&ROSCOP&Mike^200309081130  
3200 OBX|1|CE|32761-9^Leukocytes^LN|value||N||F||200309060830  
OBX|2|CE|32762-7^Epithelial Cells^LN|value||N||F||200309060830|333231^BACK^TERRY  
OBX|3|CE|20430-5^Culture^LN|POS^Positive^L||N||F||200309070935|...  
|333231^BACK^TERRY  
SPM|2|123456701^Emergency|PUS||TOE|LEFT|P|||200309060805|200309060818|Y|...  
3205 ORC|SC|12345685^Emergency|777^Emergency|CM|||200309070941|333231^BACK^TERRY|||  
||Emergency Ward^^^^^^FI^^EW00  
OBR|2|12345685^Emergency|PUS03006661^Micro|87072^Organism  
Identification^C4|||MB|F|||444642&ROSCOP&Mike^200309081130  
OBX|1|ST|21020-3^Micro organism identified^LN|1|Staph Aureus||N||F||200309080830|...  
SPM|2|123456701^Emergency|PUS||TOE|LEFT|P|||200309060805|200309060818|Y|...  
3210 ORC|SC|12345686^Emergency|777^Emergency|CM|||200309070938|333231^BACK^TERRY|||  
||Emergency Ward^^^^^^FI^^EW00  
OBR|3|12345686^Emergency|PUS03006662^Micro|87186^Antibiotic  
Susceptibility^C4|||MB|F|21020-3&Micro organism  
identified&LN^1^Staph Aureus||  
3215 12345685&Emergency^PUS03006661&Micro||444642&ROSCOP&Mike^200309081130  
OBX|1|SN|18928-2^Gentamicin^LN|1|value|ug/ml|S||F||200309080830|...  
OBX|2|SN|18996-9^Tobramycin^LN|1|value|ug/ml|R||F||200309080830|...  
OBX|3|SN|18954-8^Netilmicin^LN|1|value|ug/ml|S||F||200309080830|...  
OBX|4|SN|18959-7^Ofloxacin^LN|1|value|ug/ml|S||F||200309080830|...  
3220 OBX|5|SN|18917-5^Doxycycline^LN|1|value|ug/ml|S||F||200309080830|...  
OBX|6|SN|19000-9^Vancomycin^LN|1|value|ug/ml|S||F||200309080830|...  
OBX|7|SN|18974-6^Rifampicin^LN|1|value|ug/ml|S||F||200309080830|...  
OBX|8|SN|25596-8^Fosfomycine^LN|1|value|ug/ml|S||F||200309080830|...  
SPM|2|123456701^Emergency|PUS||TOE|LEFT|P|||200309060805|200309060818|Y|...

**HL7 and HEALTH LEVEL SEVEN are the registered trademarks of Health Level Seven International.**

3225 **4.6 Rejection of a Specimen**

**4.6.1 Storyboard**

This example corresponds to the use case described in Volume 1 as “4.2.4 Order Filler rejects a specimen prior to result testing”. The context for this use-case will be based on the simplification of having the actors OP and ORT grouped.

3230 A physician in a ward requests a laboratory test “BG\_CLAIR\_CREAT\_COCKROFT” for a patient “Marge Smith”.

The Order Placer sends a LAB-1 “order create” message to the Order Filler, delivering the Order Group “2011122446\_OPGN” with associated relevant information including a Specimen with bar coded id = “1200000808”

3235 Upon reception, the Order Filler application accepts the content of the Order, and notifies a Filler Order Number in the acknowledgement message sent back to the Order Placer application.

Using the Order Filler application, the laboratory staff checks each Order with the corresponding specimens and detects a non-conformity for a particular specimen: “1200000808”. The specimen will be cancelled in the Order Filler application. During the cancelation of the specimen, a reason will be asked to allow feedback towards a Nurse or the Physician.

3240

This action will also lead to the cancelation of the related laboratory test.

The Order Filler informs the Order Placer / Order Result Tracker about the rejection executing the laboratory test

3245 A nurse or the Physician detects this non-conformity and decides to take a new specimen sample from the patient to enable the laboratory fulfilling the laboratory test.

The Order Placer will inform the Order Filler about this new Specimen with new barcode id = “1200000809” and re-order the laboratory test within the already existing Order Group.

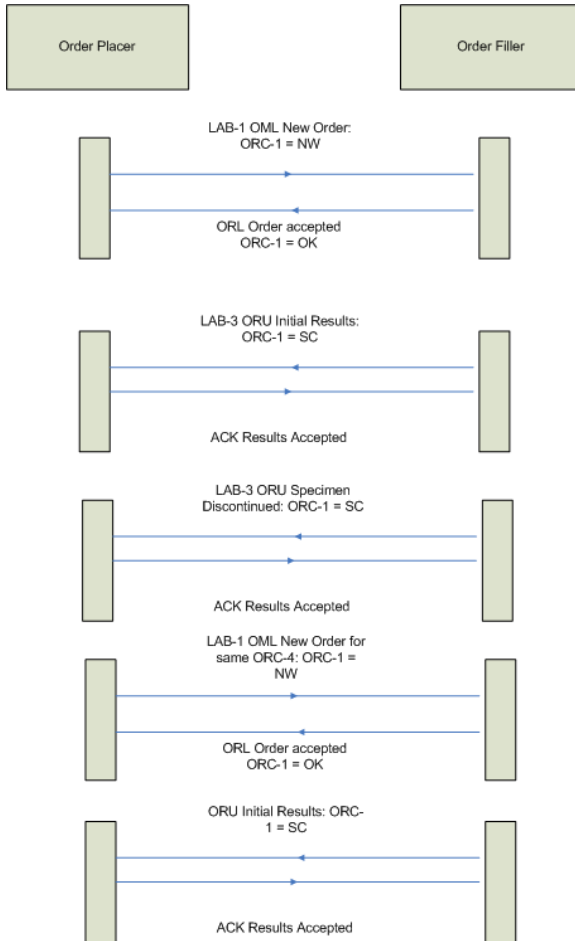
The Order Filler will update the Order Group and provide a status feedback to the Order Result Tracker informing about the new work for this new specimen.

3250

3255

<b>HL7 and HEALTH LEVEL SEVEN are the registered trademarks of Health Level Seven International.</b>
--

3260 **4.6.2 Interaction Diagram**



**4.6.3 Messages**

3265 **4.6.3.1 LAB-1 (OP -> OF):Message "Create new order"**

```
MSH|^~\&|||APHP_CORDIER|20111213174100||OML^O21^OML_O21|391815247250212427|P|2.5|||
|||
PID|1||7501052489^^^PSL||Smith^Marge^^^Mrs||19641120|F||^AMAREINS FRANCHELEINS
CESSEINS^^01090^100
3270 PV1|I|||JCO000407|||20120203101100|||V
ORC|NW|2011122446_OP1^APHP||2011122446_OPGN^APHP|SC|||20111213173234||0607^Hart^Andr
e^^^Dr^hcpr|0607_N^MIPSN|||S_CORDIER^BIOCH_HEMATO^L
```

**HL7 and HEALTH LEVEL SEVEN are the registered trademarks of Health Level Seven International.**

3275 TQ1||| |R  
 OBR|1|2011122446\_OP1^APHP|APHP\_CREA\_COCKROFT^^APHP||| |0607^Hart^Andre^^^Dr^h  
 cpr||| |S\_CORDIER|S  
 SPM|1|1200000808&PSL|MAT\_HEPLIG\_PLA^Plasma sur tube héparine lithium avec  
 gel^L^APHP\_HEPLIG\_PLA^^APHP||| |0.0^ml&&L||| |20120210101100||

3280 With:  
 Order Group number (ORC) = 2011122446\_OPGN  
 Order Placer number (ORC) = 2011122446\_OP1  
 Order Placer assigned specimen number (SPM) = 1200000808

The related acknowledgement message isn't shown.

3285

**4.6.3.2 LAB-3 (OF -> ORT/OP) : Acceptance of the order**

3290 MSH|^~\&|PSL|E\_BG\_CORDIER|ORBIS|ResultImport|20120209112212|ORU^R01^ORU\_R01|303900235  
 622598969|P|2.5||| |BEL|8859/1|EN  
 PID|1|7501052489^^^PSL|Smith^Marge||19641120|F  
 PV1|I||| |JC0000407||| |20120203101100||| |V  
 ORC|SC|2011122446\_OP1^ORBIS|41498^PSL|2011122446\_OPGN^ORBIS|SC||| |20120209111827|||060  
 7\_N^BIOCHIMIE^^^^^dept^MIPSN|0607||| |S\_CORDIER^BIOCH\_HEMATO^L  
 OBR|1|2011122446\_OP1^ORBIS|41498^PSL|BG\_CLAIR\_CREAT\_COCKROFT^Clairance créat  
 Cockroft^L^APHP\_CREA\_COCKROFT^^APHP||| |20120210101100||| |0607\_N^BIOCHIMIE^^^^^dep  
 3295 t^MIPSN||| |S\_CORDIER|S  
 TQ1||| |R  
 SPM|1|1200000808&ORBIS^1200000808&PSL|MAT\_HEPLIG\_PLA^Plasma sur tube héparine lithium  
 avec gel^L^APHP\_HEPLIG\_PLA^^APHP||| |0.0^ml&&L| " " |20120210101100||N

3300 With:  
 Order Group number = 2011122446\_OPGN  
 Order Placer number = 2011122446\_OP1  
 Order Filler number = 41498  
 Order Placer assigned specimen number = 1200000808  
 3305 Order Filler assigned specimen number = 1200000808

The related acknowledgement message isn't shown.

**4.6.3.3 LAB-3 (OF -> ORT/OP) : Rejection of a specimen**

3310 MSH|^~\&|PSL|E\_BG\_CORDIER|ORBIS|ResultImport|20120209122308|ORU^R01^ORU\_R01|469731566  
 7455003249|P|2.5||| |BEL|8859/1|EN  
 PID|1|7501052489^^^PSL|Smith^Marge||19641120|F  
 PV1|I||| |JC0000407||| |20120203101100||| |V  
 ORC|SC|2011122446\_OP1^ORBIS|41498^PSL|2011122446\_OPGN^ORBIS|CA||| |20120209111827|||060  
 7\_N^BIOCHIMIE^^^^^dept^MIPSN|0607||| |S\_CORDIER^BIOCH\_HEMATO^L  
 3315 OBR|1|2011122446\_OP1^ORBIS|41498^PSL|BG\_CLAIR\_CREAT\_COCKROFT^Clairance créat  
 Cockroft^L^APHP\_CREA\_COCKROFT^^APHP||| |20120210101100||| |0607\_N^BIOCHIMIE^^^^^dep  
 t^MIPSN||| |S\_CORDIER|X  
 TQ1||| |R  
 3320 SPM|1|1200000808&ORBIS^1200000808&PSL|MAT\_HEPLIG\_PLA^Plasma sur tube héparine lithium  
 avec

**HL7 and HEALTH LEVEL SEVEN are the registered trademarks of Health Level Seven International.**

3325 gel^L^APHP\_HEPLIG\_PLA^^APHP|||||0.0^ml&&L|""|||20120210101100|20120209113217|N|^N  
 on Conformite  
 OBX|1|ST|POIDS^Poids du patient^L^A1652^^APHP||Non  
 Conformite|kg^L|N~N|||X|||20120210101100|E\_BG\_CORDIER^BIOCH\_URG\_CORDIER^L|^L|INTEG  
 RA\_01^L|20120209121943  
 OBX|2|ST|CREAT^Créatinine^L^A0094^^APHP||Non Conformite|µmol/l^L|44-  
 80|N~N|||X|||20120210101100|E\_BG\_CORDIER^BIOCH\_URG\_CORDIER^L|^L|INTEGRA\_01^L|2012020  
 9121943  
 3330 OBX|3|ST|CLCOCK^Clairance Créatinine Cockroft^L^A2154^^APHP||Non  
 Conformite|ml/min^L|N~N|||X|||20120210101100|E\_BG\_CORDIER^BIOCH\_URG\_CORDIER^L|^L|C  
 ALCUL\_BG^L|20120209121942

With:

3335 Placer Group number = 2011122446\_OPGN  
 Order Placer number = 2011122446\_OP1  
 Order Placer assigned specimen number = 1200000808  
 Specimen Availability (SPM-20) = N  
 Specimen Reject Reason (SPM-21) = Non Conformite

The related acknowledgement message isn't shown.

3340

#### 4.6.3.4 LAB-1 (OP->OF): 'New Order' with new specimen for same order group

3345 MSH|^~\&|PSL|E\_BG\_CORDIER|ORBIS|ResultImport|20120209140214||ORU^R01^ORU\_R01|537296337  
 8993344693|P|2.5|||BEL|8859/1|EN  
 PID|1||7501052489^^^PSL||Smith^Marge||19641120|F  
 PV1||I|||||JCO000407|||||20120203101100|||||v  
 ORC|SC|2011122447\_OP1^ORBIS|41499^PSL|2011122446\_OPGN^ORBIS|SC|||20120209123701|||060  
 7\_N^BIOCHIMIE^^^^^dept^MIPSN|0607|||S\_CORDIER^BIOCH\_HEMATO^L  
 3350 OBR|1|2011122447\_OP1^ORBIS|41499^PSL|BG\_CLAIR\_CREAT\_COCKROFT^Clairance créat  
 Cockroft^L^APHP\_CREA\_COCKROFT^^APHP|||20120210101100|||0607\_N^BIOCHIMIE^^^^^dep  
 t^MIPSN|||||S\_CORDIER|S  
 TQ1|||||R  
 SPM|1|1200000809&ORBIS^1200000809&PSL||MAT\_HEPLIG\_PLA^Plasma sur tube héparine lithium  
 avec gel^L^APHP\_HEPLIG\_PLA^^APHP|||||0.0^ml&&L|""|||20120210101100|||N

With:

3355 Order group number = 2011122446\_OPGN  
 Order Placer number = 2011122447\_OP1  
 Order Placer assigned specimen number = 1200000809

The related acknowledgement message isn't shown.

HL7 and HEALTH LEVEL SEVEN are the registered trademarks of Health Level Seven International.